

BRACKET KIT FOR T3 SERIES RUNNINGBOARDS
(ORDER T3 RUNNINGBOARDS SEPERATELY)

VEHICLE APPLICATION(S):

2019 →
NEW RAM 1500
(NOT CLASSIC)
CREW, QUAD



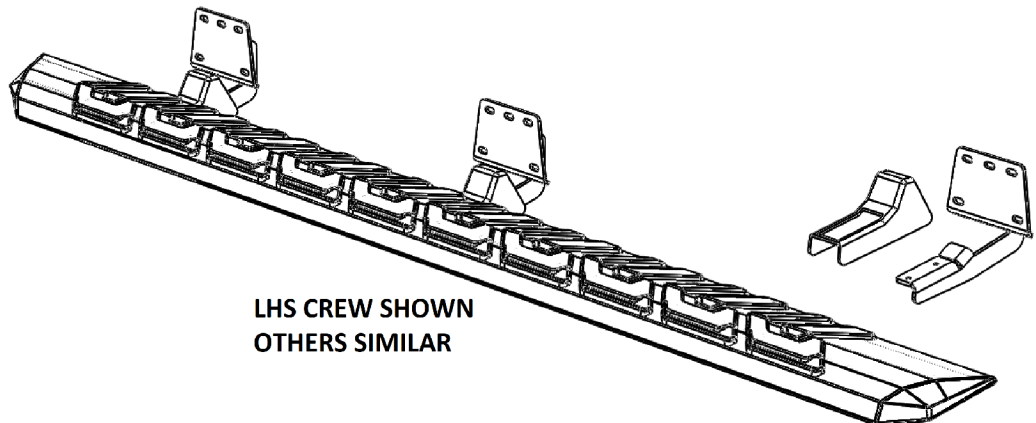
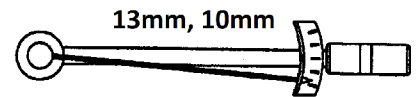
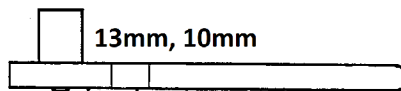
LHS SHOWN, RH OPPOSITE



Components - Componentes - Composants

<p>A</p>	<p>B</p>	<p>C</p> <p>M8</p>	<p>D</p> <p>M8</p>
<p>E</p> <p>M6</p>	<p>F</p> <p>M6</p>		

TOOLS REQUIRED
HERRAMIENTAS NECESARIAS
OUTILS NÉCESSAIRES



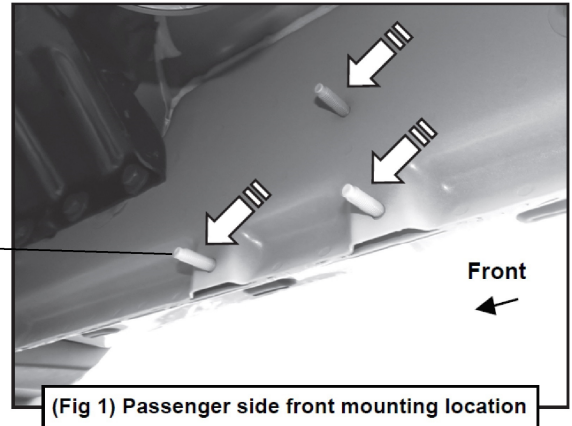
LHS CREW SHOWN
OTHERS SIMILAR

1

KIT NO. 400022

Install mounting bracket (Item A) over studs on inner rocker of vehicle and secure each with 3 Flat washers (Item D) and 3 locking nuts (Item C). Install only finger tight at this time.

NOTE: ON NEW TRUCKS, IT IS NECESSARY TO REMOVE THE PAINT FROM THE THREADED STUDS. THIS CAN BE ACHIEVED BY RUNNING A DIE OVER THE THREADS BEFORE INSTALLING THE BRACKETS AND HARDWARE. (M8X1.5MM)

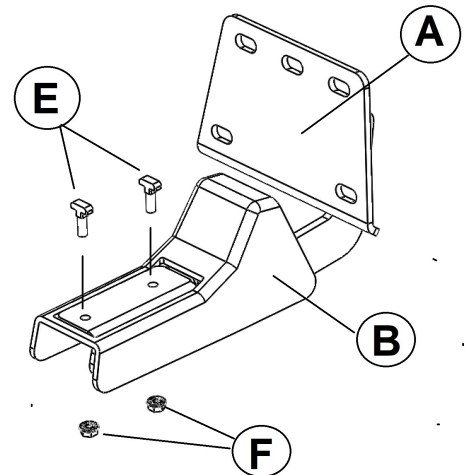


(Fig 1) Passenger side front mounting location

2

At each bracket, install from above 2x M6 T-bolts (Item E) and just start threading on from below a M6 nut (Item F). Leave very loose at this time.

Set in place a bracket cover (Item B) on each bracket. It will hang down loosely for now until clamped into place in step 3.



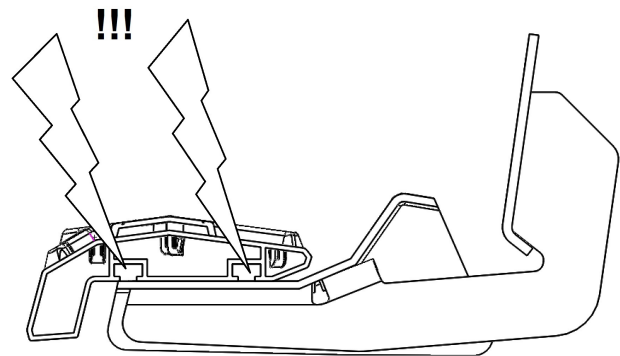
3

Set T3 Runningboard in place, being sure to align slots over top of t-bolt fasteners.

Position board fore-aft along brackets for best appearance.

PUSH UP AND TURN, M6 nuts from below to engage the t-bolt across t-bolt slot. Finger tighten at all locations.

Double check engagement at each slot by lifting up on board. It should be secure.



CAUTION!! - Be sure to engage t-bolts into slots. Push UP and TURN to tighten. Verify t-bolts are engaged before torquing fasteners.

