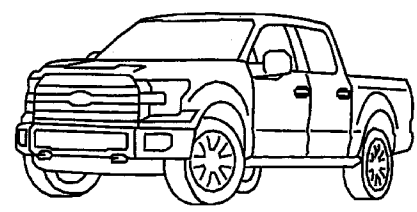
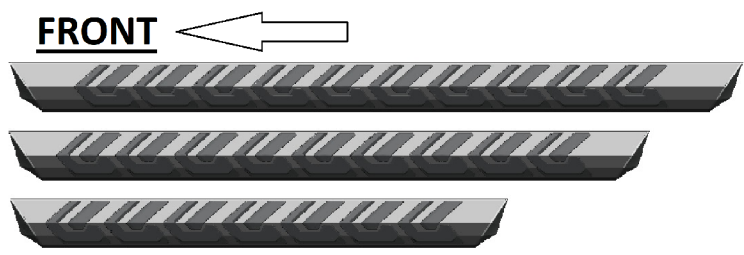


GEMO TUBE PRODUCTS

INSTALLATION BRACKETS KIT FOR "T3 RUNNINGBOARDS" (RUNNINGBOARDS NOT INCLUDED)

VEHICLE APPLICATION(S):
2015 → F-150
2017 → F-250/350
REG, EXT & CREW CABS

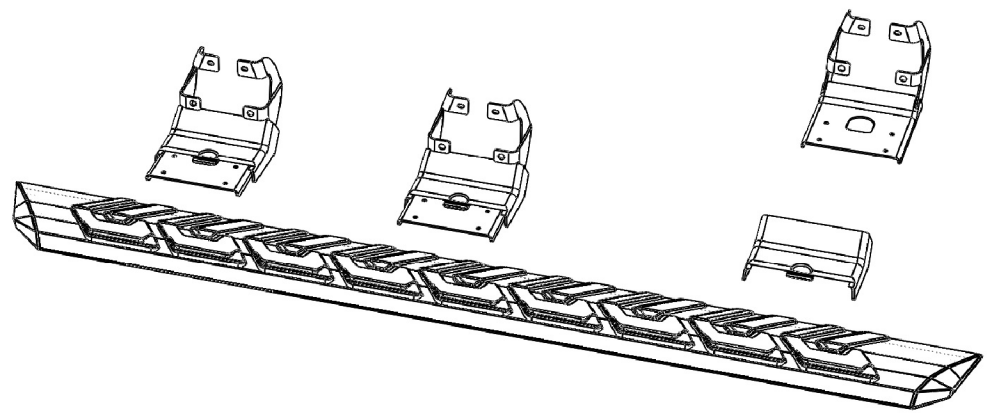
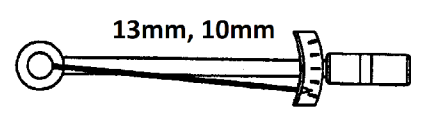
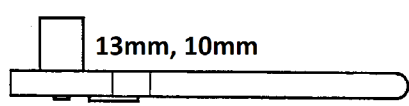


LHS SHOWN, RH OPPOSITE

Components - Componentes - Composants

<p>A</p>	<p>B</p>	
<p>C</p> <p>M8</p>	<p>D</p> <p>M6</p>	<p>E</p>

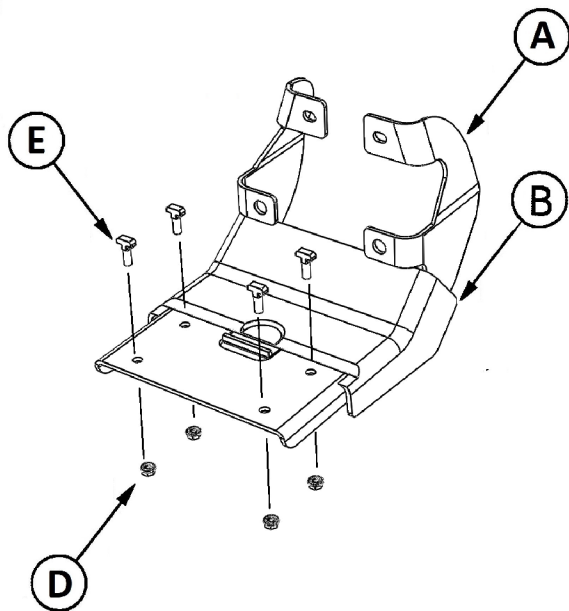
TOOLS REQUIRED
HERRAMIENTAS NECESARIAS
OUTILS NÉCESSAIRES



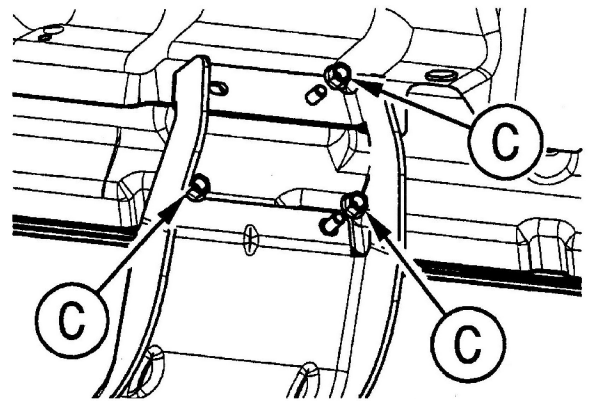
GEMO TUBE PRODUCTS

Made by Maxway International
Ltd. Ontario, Canada.
1-800-918-8316
info@maxwayint.com

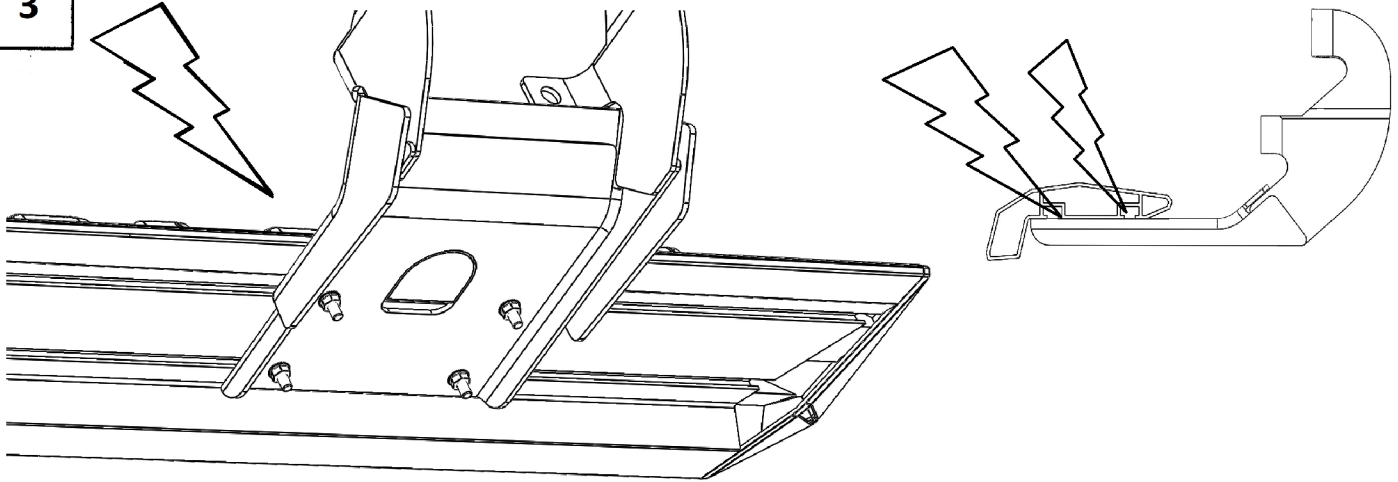
1



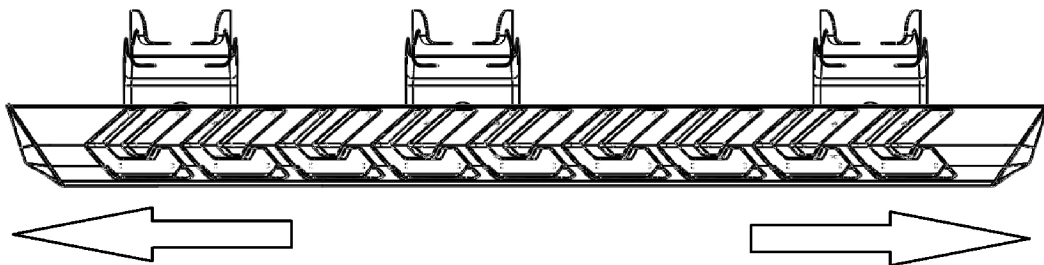
2



3



4



M8 - 14 lbs-ft (20 N.m)

M6 - 7.5 lbs-ft (10 N.m)

GEM 
TUBE PRODUCTS

Made by Maxway International
 Ltd. Ontario, Canada.
 1-800-918-8316
 info@maxwayint.com