

# GEMO

## TUBE PRODUCTS

### OCTA SERIES TUBES INSTALLATION INSTRUCTIONS

PART NO'S: 300063-300066  
REV. 3

VEHICLE APPLICATION(S):  
 2019 → CHEVY/GMC 1500  
 2020 → 2500/3500  
 CREW, EXT CABS

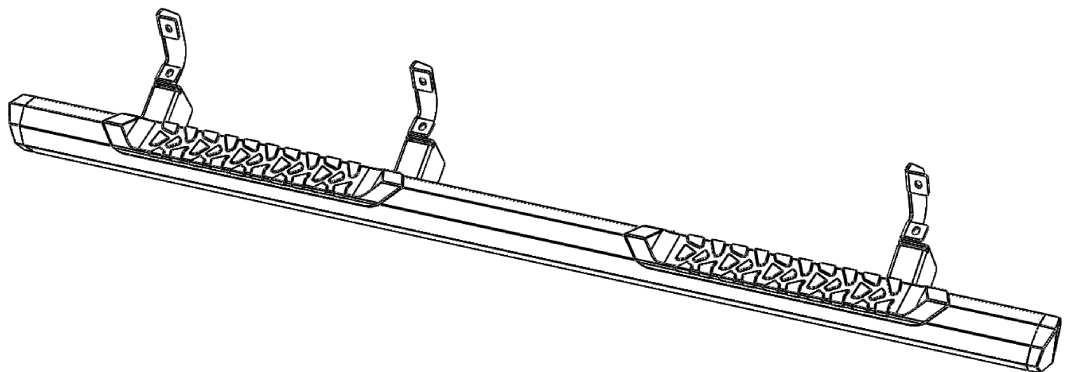
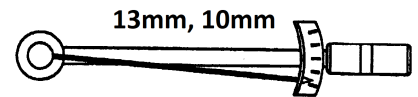
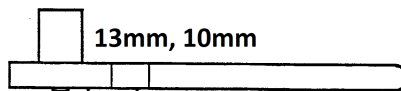
LHS CREW CAB SHOWN  
EXT CAB SIMILAR



Components - Componentes - Composants

<p><b>A</b></p>	<p><b>B</b></p>	<p><b>C</b></p> <p><b>M8</b></p>	<p><b>D</b></p> <p><b>M8</b></p>
<p><b>E</b></p> <p><b>M8</b></p>			

TOOLS REQUIRED  
HERRAMIENTAS NECESARIAS  
OUTILS NÉCESSAIRES



# GEMO

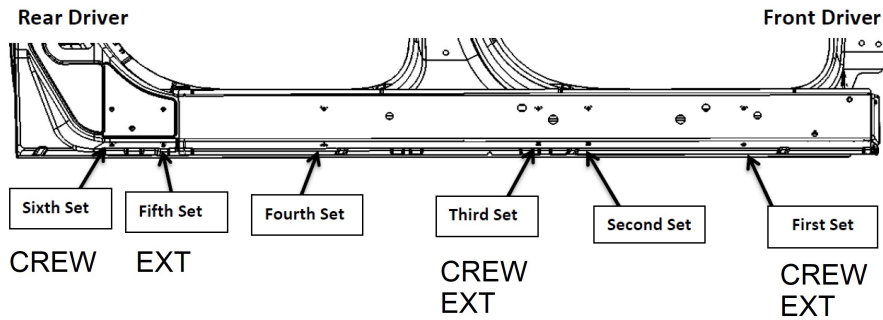
## TUBE PRODUCTS

Made by Maxway International  
Ltd. Ontario, Canada.  
1-800-918-8316  
info@maxwayint.com

1

PART NO'S: 300063-300066

From underneath the truck, remove and discard plastic plugs at bracket mounting locations to expose threaded holes in inner rocker. For CREW cab, remove the first, 3rd and 6th set of plugs. For EXT cab, remove the first, 3rd and 5th set of plugs.



2

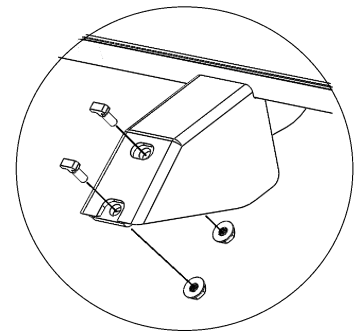
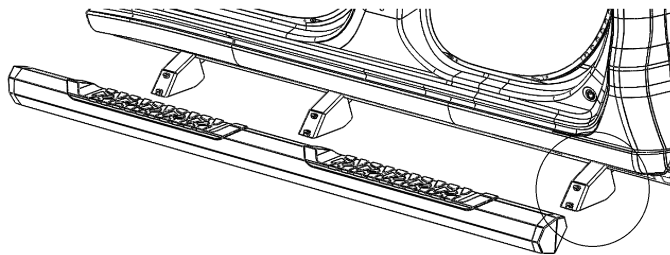
Position bracket (Item A) against inner rocker at mounting location and secure with two M8 SEMS Bolts (Item C). Install only finger tight at this time.

Repeat for all bracket locations.

3

Position bracket cover (Item B) over each bracket.

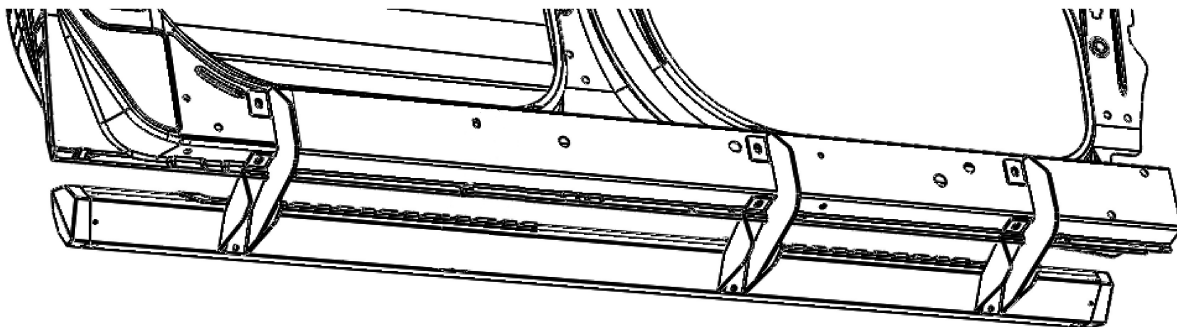
In each brackets lower two mounting holes, install a T-bolt (Item D) from the outside, and just start threading on a flange nut (Item E) from the backside. Leave very loose and only just start the threads.



Position step tube over protruding t-bolts. From behind bracket, PUSH UP AND TURN Flange nuts (Item E) to engage t-bolts in slots and tighten.

CAUTION: BE SURE TO CHECK THAT T-BOLT HAS TURNED AND FULLY ENGAGED INTO SLOT IN BACK OF STEP TUBE

Torque all M8 fasteners to 14lbs-ft (20 N.m)



DRIVER SIDE CREW CAB SHOWN  
PASSENGER SIDE SIMILAR



M8 - 14 lbs-ft (20 N.m)