

# GEMO

## TUBE PRODUCTS

KIT NO. 400018  
REV. 2

BRACKET KIT FOR T3 SERIES RUNNINGBOARDS  
(ORDER T3 RUNNINGBOARDS SEPERATELY)

VEHICLE APPLICATION(S):  
2019 → CHEVY/GMC 1500  
2020 → 2500/3500  
CREW, EXT CABS

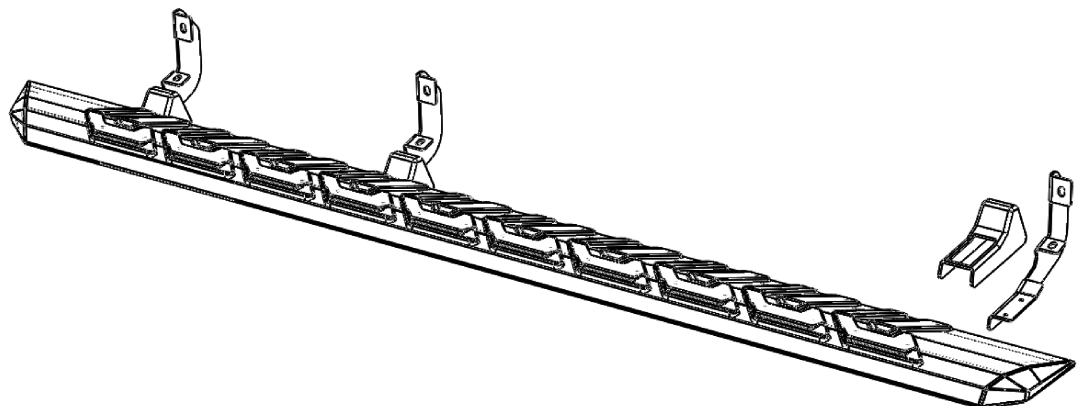
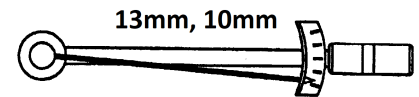
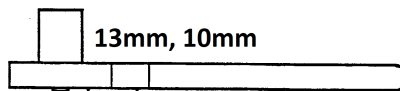
LHS SHOWN, RH OPPOSITE



Components - Componentes - Composants

<p><b>A</b></p>	<p><b>B</b></p>	<p><b>C</b></p> <p><b>M8</b></p>	<p><b>D</b></p> <p><b>M6</b></p>
<p><b>E</b></p> <p><b>M6</b></p>			

TOOLS REQUIRED  
HERRAMIENTAS NECESARIAS  
OUTILS NÉCESSAIRES



# GEMO

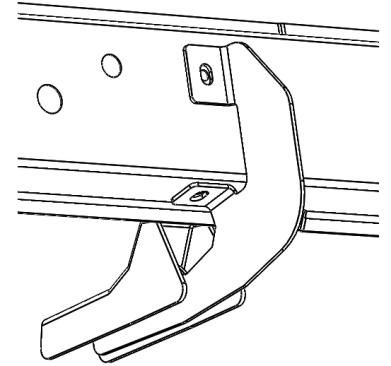
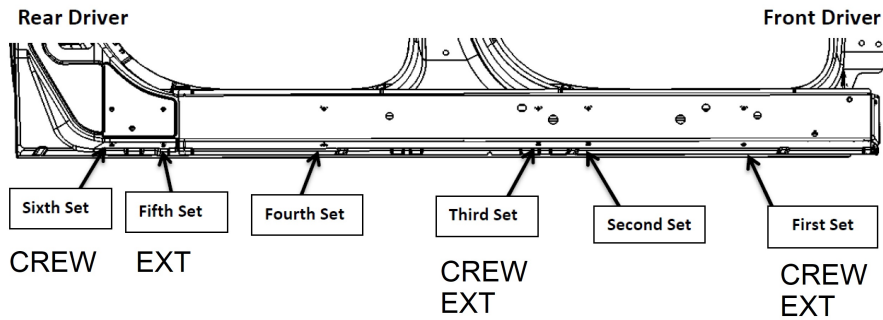
## TUBE PRODUCTS

Made by Maxway International  
Ltd. Ontario, Canada.  
1-800-918-8316  
info@maxwayint.com

1

KIT NO. 400018

From underneath the truck, remove and discard plastic plugs at bracket mounting locations to expose threaded holes in inner rocker. For CREW cab, remove the first, 3rd and 6th set of plugs. For EXT cab, remove the first, 3rd and 5th set of plugs.



2

Install brackets using provided M8 SEMS bolts (Item C). Install only finger tight at this time.

At each bracket, install from above a M6 T-bolt (Item D) and JUST START threading on an M6 Nut (Item E) leaving the hardware very loose at this time.

Set a bracket cover loosely on top of each bracket. It will hang down until clamped in position by T3 Board in next step.

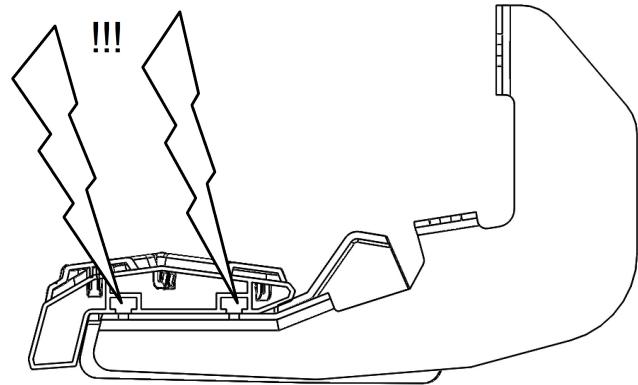
3

Set T3 Runningboard in place, being sure to align slots over top of t-bolt fasteners.

Position board fore-aft along brackets for best appearance.

PUSH UP AND TURN, M6 nuts from below to engage the t-bolt across t-bolt slot. Finger tighten at all locations.

Double check engagement at each slot by lifting up on board. It should be secure.



**CAUTION!! - Be sure to engage t-bolts into slots. Push UP and TURN to tighten. Verify t-bolts are engaged before torquing fasteners.**

