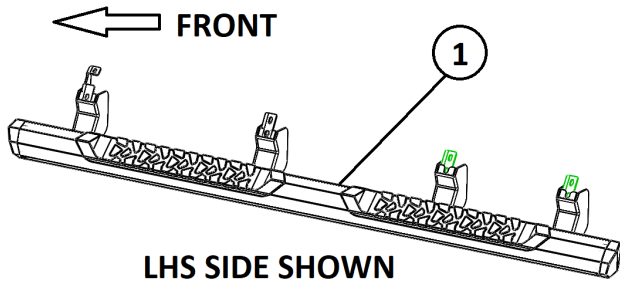




**2007-2019 TOYOTA TUNDRA
CREWMAX CAB
DOUBLECAB
(NOT REGULAR CAB)**



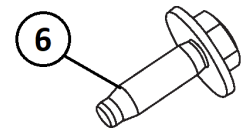
Kit Contents

Item #	Quantity Reqd.	Description
1	1	Tube Assembly RH & LH
2	1	Bracket Pack

Hardware Bag Contents

Item #	Quantity Reqd.	Description
1	1	LH Tube Assembly
2	1	RH Tube Assembly
3	2	Front Bracket
4	2	Mid Front Bracket
5	4	Rear Bracket
6	32	M8 x 25mm Sems Head Bolts
7	8	Bracket Cover

Installation Tools	Notes
Torque Wrench	3/8" Drive (25 lbs-ft)
Socket	10 mm (M8 bolt), 12 mm
Extension	3", 6"
Measuring Rule	Metric (mm)
Ratchet	3/8" Drive
Special Chemicals	Notes
None	



INSTALLATION INSTRUCTIONS

1. Determine LHS / DRIVER SIDE tube by the sticker on the back of the tubes.
2. Determine the FRONT - LHS bracket and install to the tube at the front set of rivnuts, by positioning a bracket cover between the bracket and the tube, and secure with M8 bolts.

NOTE: Install bolts only finger tight at this point. SEE FIGURE 1.

FIGURE 1

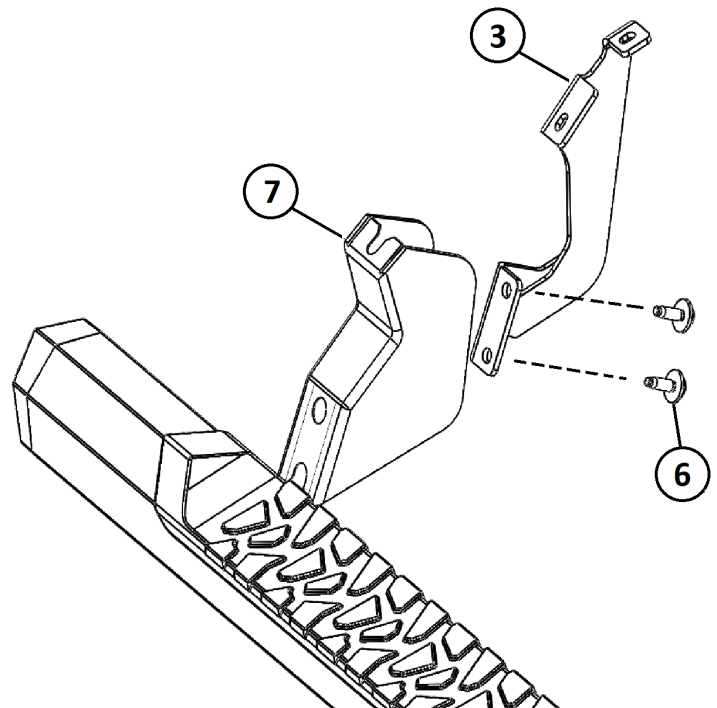
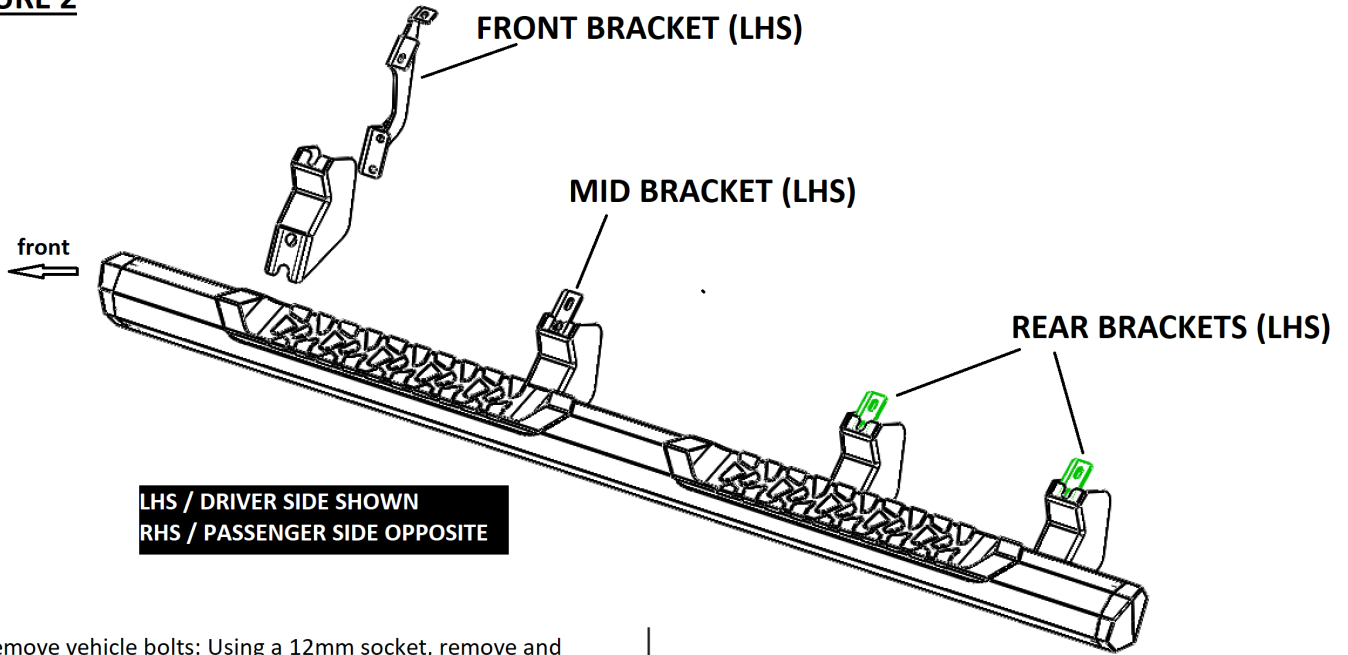


FIGURE 2



3. Remove vehicle bolts: Using a 12mm socket, remove and discard 7 left hand side vehicle M8 bolts covering weld nuts used for bracket installation.
4. Install LHS Tube: Position LHS tube under vehicle and align mounting holes in brackets with vehicle weld nuts. Thread in 2 bolts per bracket and finger tighten - 8 in total for LHS.
5. With all bolts installed finger tight, torque all fasteners to 14 lbs-ft (20 Nm). Be carefull not to strip fasteners.
6. Repeat for RHS / PASSENGER SIDE