

# GEMO

## TUBE PRODUCTS

### INSTALLATION BRACKETS KIT FOR "T3 RUNNINGBOARDS" (RUNNINGBOARDS NOT INCLUDED)

VEHICLE APPLICATION(S):

2009  2018

DODGE RAM

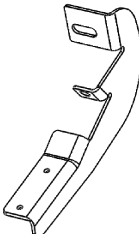
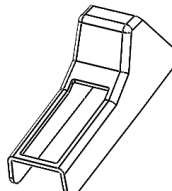
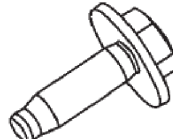
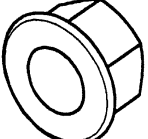
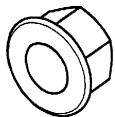
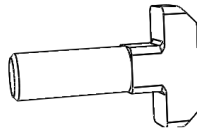
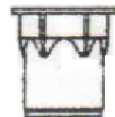
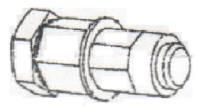
REG, QUAD & CREW CAB



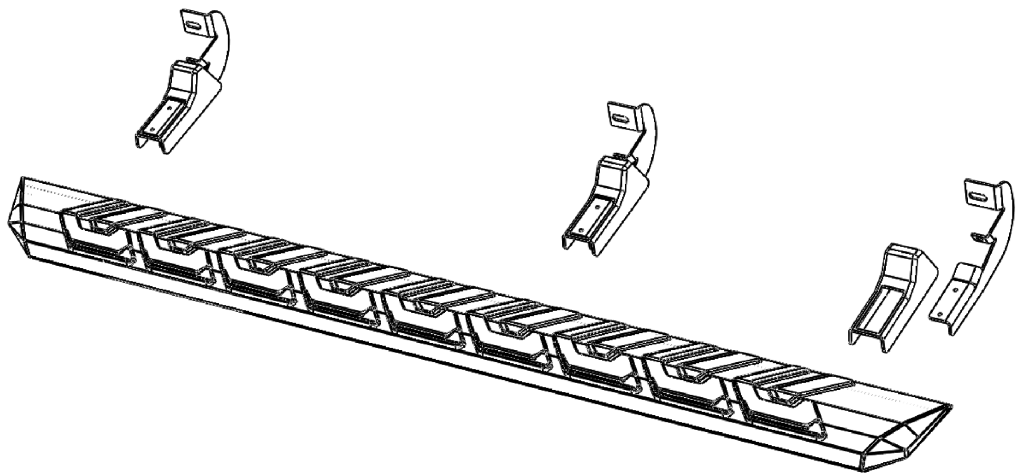
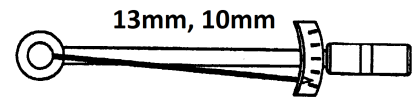
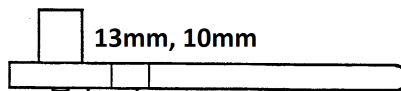
**FRONT** 



LHS SHOWN, RH OPPOSITE

<p><b>A</b></p> 	<p><b>B</b></p> 	<p><b>C</b></p>  <p><b>M8</b></p>	<p><b>D</b></p>  <p><b>M8</b></p>
<p><b>E</b></p>  <p><b>M6</b></p>	<p><b>F</b></p>  <p><b>M6</b></p>	<p><b>G</b></p> 	<p><b>H</b></p> 

TOOLS REQUIRED  
HERRAMIENTAS NECESARIAS  
OUTILS NÉCESSAIRES



# GEMO

## TUBE PRODUCTS

Made by Maxway International  
Ltd. Ontario, Canada.  
1-800-918-8316  
info@maxwayint.com

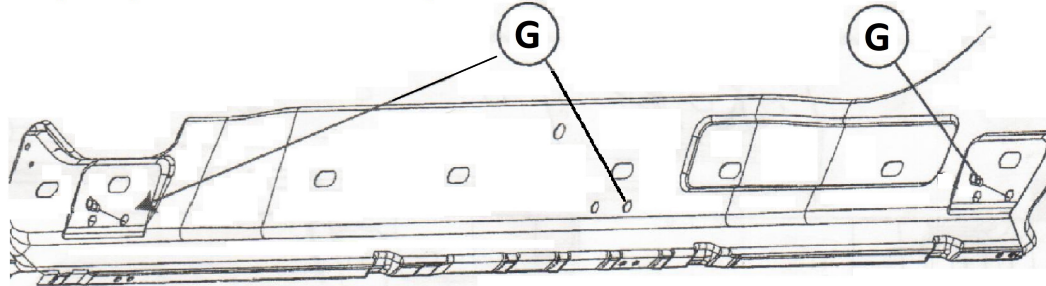
1

Note left hand and right hand boards by referencing orientation of step pad for LHS board, from image on page 1. of instructions

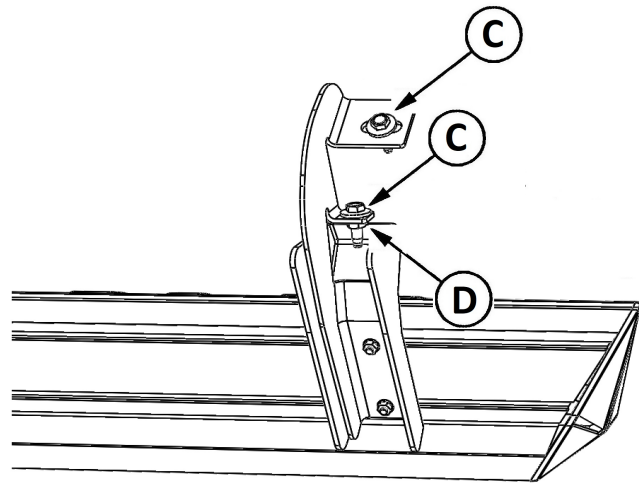
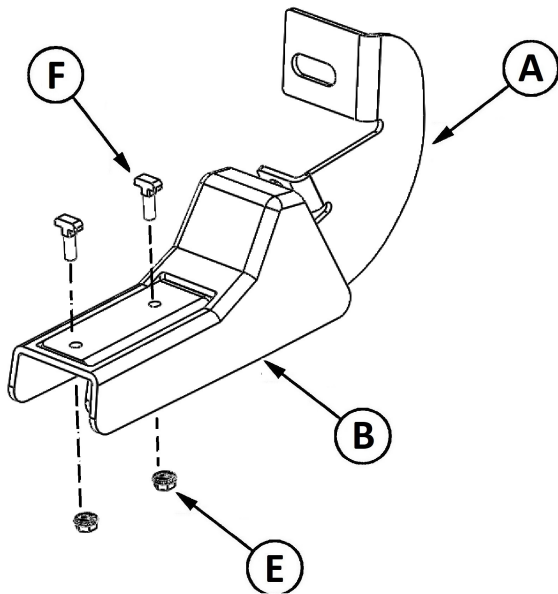
Hold board up to inner rocker and note installation hole locations. Install Riv-nuts (item G) into rocker panel at appropriate locations using Riv-nut Installation Tool (Item H).

*\* Some vehicles may have pre-installed weld nuts in rocker and do not require riv-nuts. Discard extra if necessary.*

*Lubricate riv-nut tool using soapy water before each use. Rotate the tool 3.5 turns +/- 0.25 turns to ensure rivnut is totally collapsed. DO NOT OVERTORQUE.*

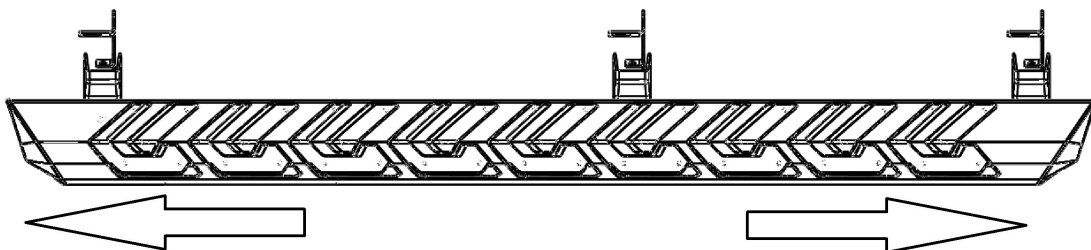
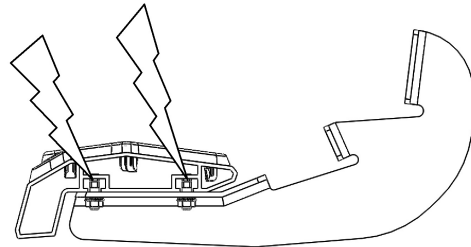


2



4

**CAUTION!!** - Be sure to engage t-bolts into slots. Push UP and TURN to tighten. Verify t-bolts are engaged before torquing fasteners.



M8 - 14 lbs-ft (20 N.m)

M6 - 7.5 lbs-ft (10 N.m)