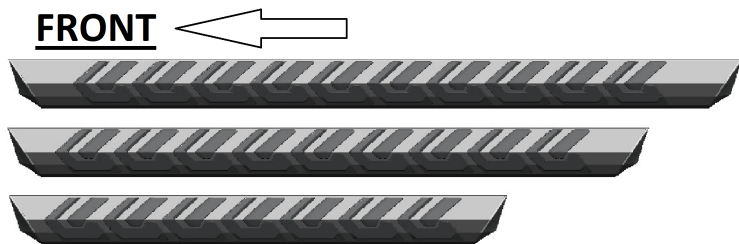


GEMO

TUBE PRODUCTS

INSTALLATION BRACKETS KIT FOR "T3 RUNNINGBOARDS" (RUNNINGBOARDS NOT INCLUDED)



LHS SHOWN, RH OPPOSITE

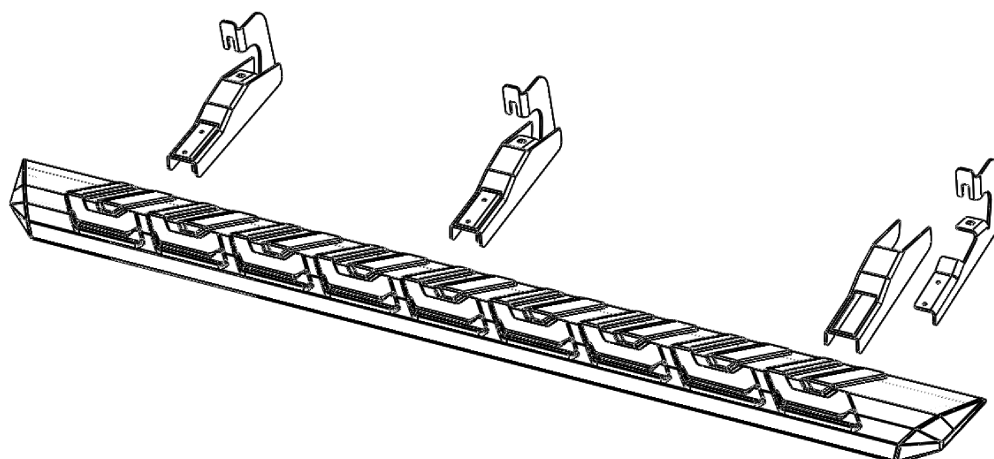
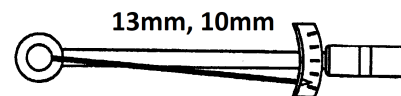
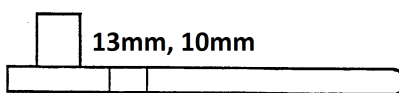
VEHICLE APPLICATION(S):
2015 →
CHEVY/GMC 1500 (GAS ONLY)
REG, EXT & CREW CABS



Components - Componentes - Composants

<p>A</p>	<p>B</p>	<p>C</p> <p>M8</p>	<p>D</p>
<p>E</p> <p>M6</p>	<p>F</p> <p>M6</p>		

TOOLS REQUIRED
HERRAMIENTAS NECESARIAS
OUTILS NÉCESSAIRES



GEMO

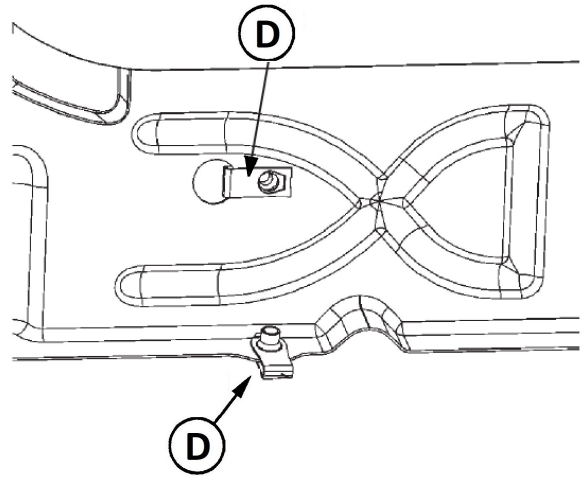
TUBE PRODUCTS

Made by Maxway International
Ltd. Ontario, Canada.
1-800-918-8316
info@maxwayint.com

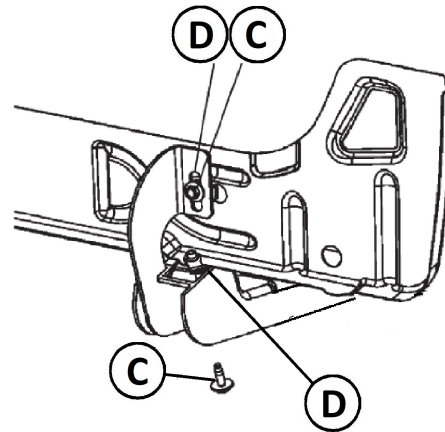
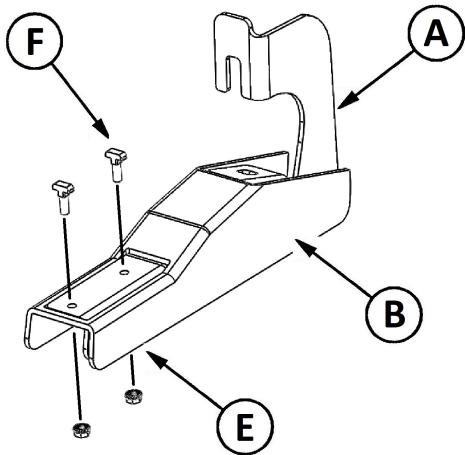
1

Install U-nuts (Item D) onto existing holes in pinch flange and inner rocker panel. See figure 1 and figure 2 for locations and orientation of U-nuts (Item D). Install U-nuts (Item D) with threads up on pinch flange. Install U-nuts (Item D) with threads inside of the inner rocker panel.

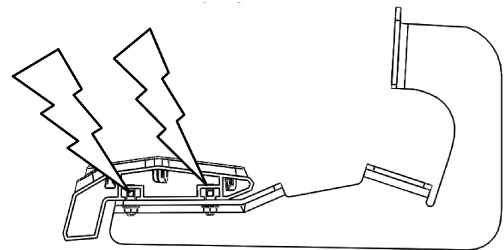
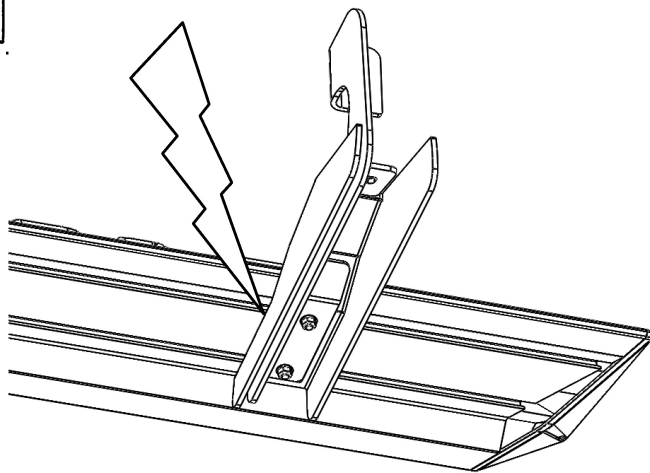
NOTE: On some vehicles it may be necessary to remove and discard plastic hole plugs to install the U-nuts.



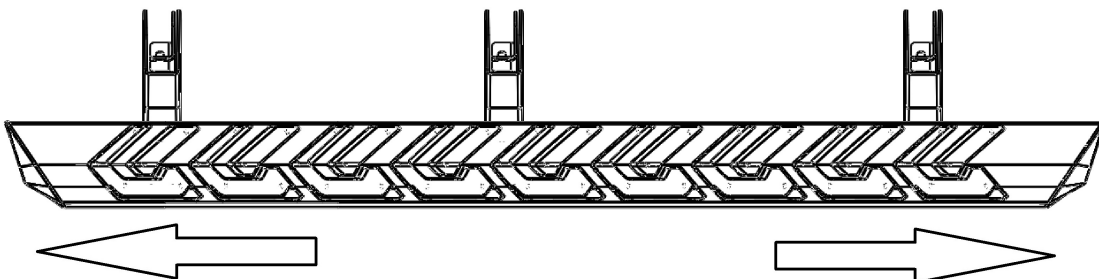
3



4



CAUTION!! - Be sure to engage t-bolts into slots. Push UP and TURN to tighten. Verify t-bolts are engaged before torquing fasteners.



M8 - 14 lbs-ft (20 N.m)
M6 - 7.5 lbs-ft (10 N.m)