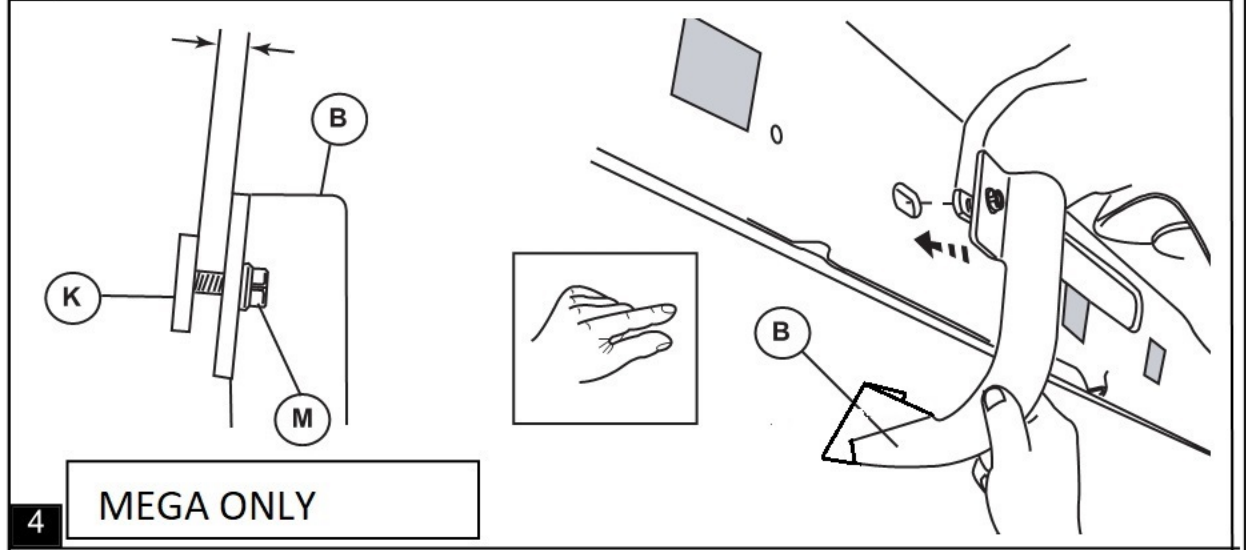
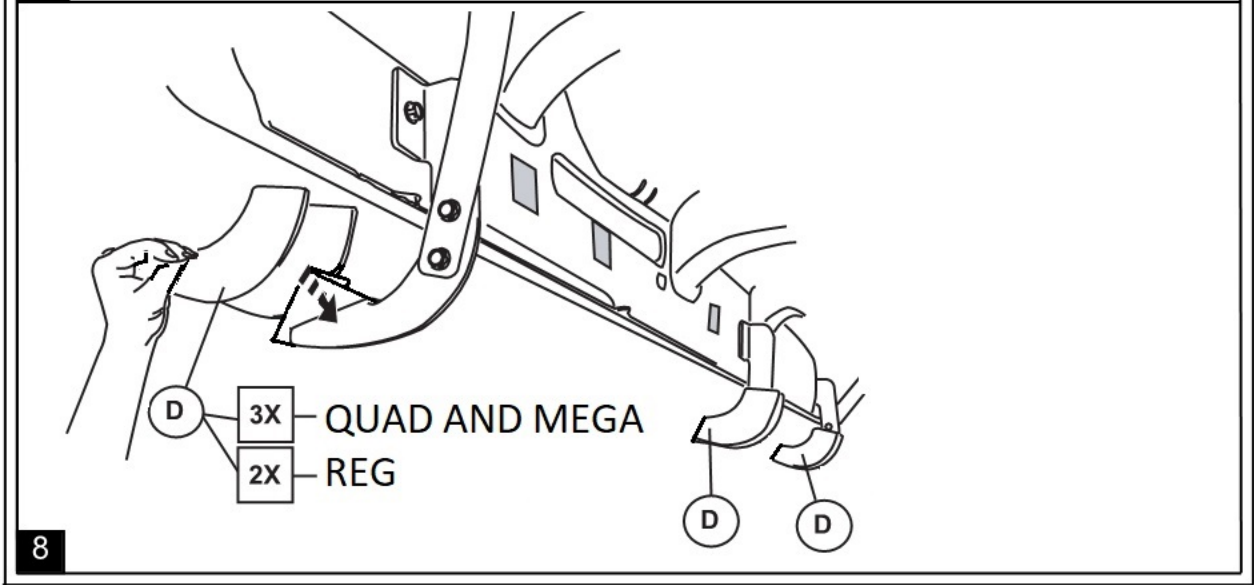
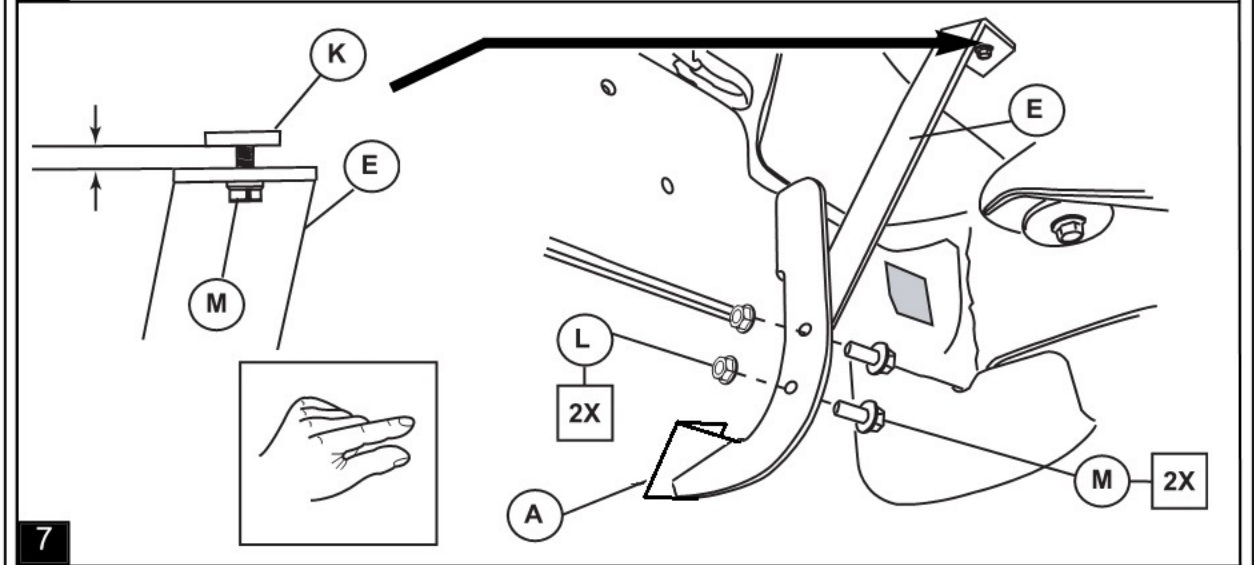
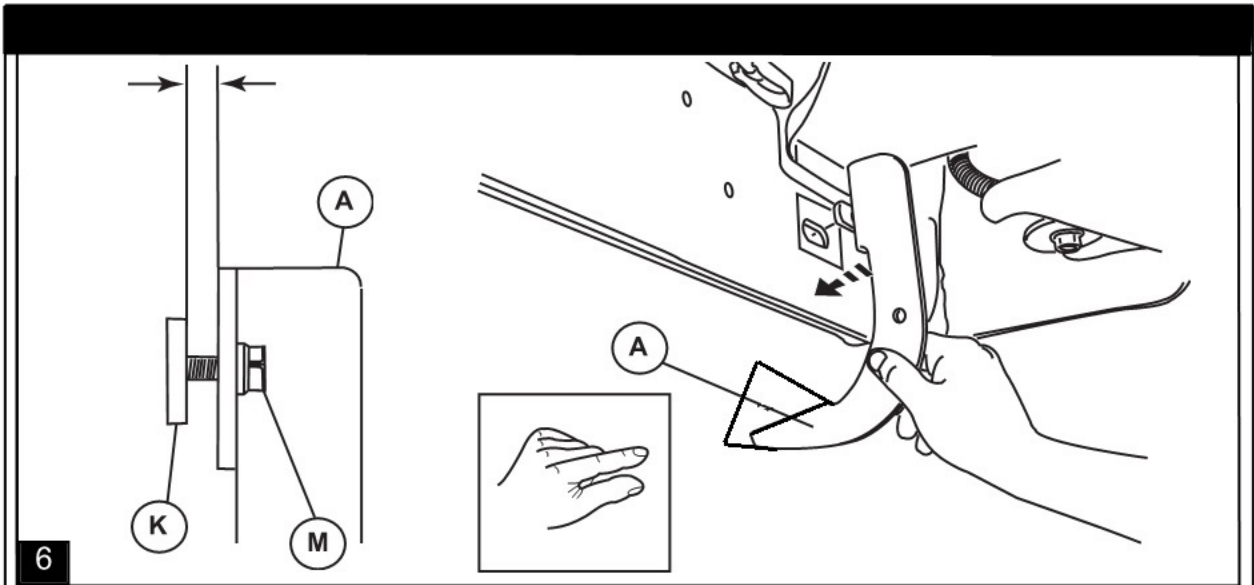


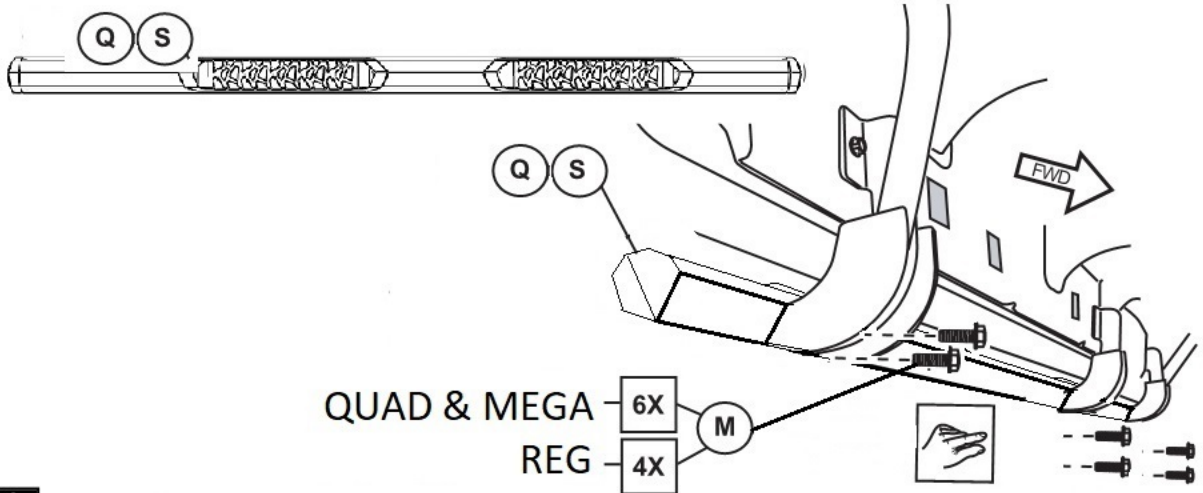
3



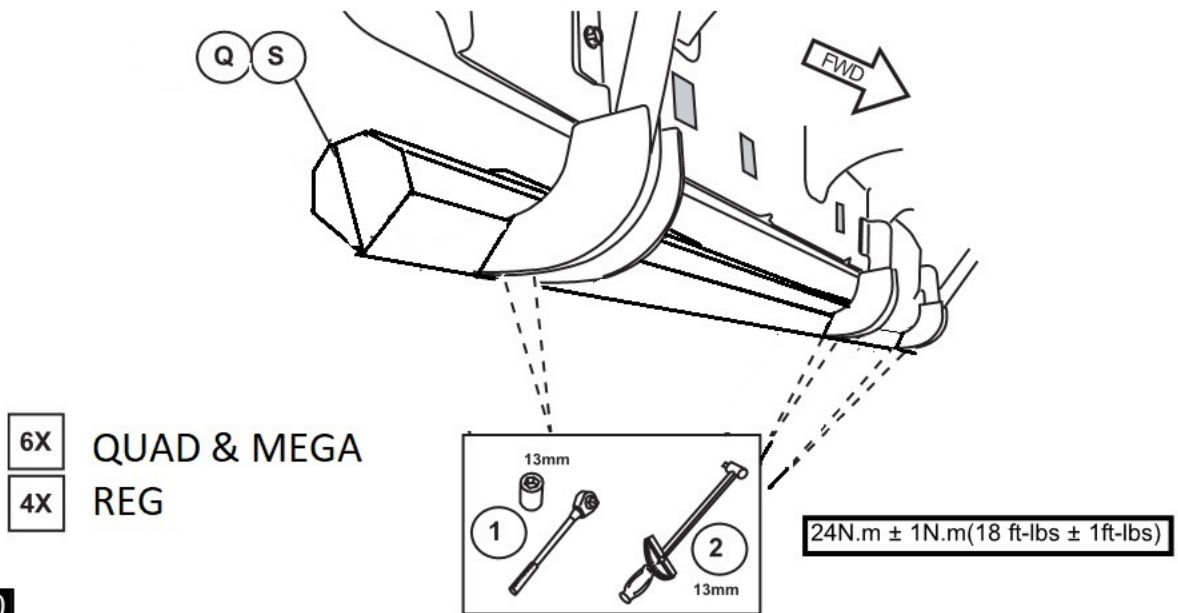
4

MEGA ONLY





9



10

Tighten all flange head fasteners to 18ft-lbs ± 1 ft-lbs. (24N.m ± 1 N.m).

Repeat for Passenger Side.
Caution - Do Not Over-Torque.

GEMO 
TUBE PRODUCTS

Made by Maxway International
Ltd. Ontario, Canada.
1-800-918-8316
info@maxwayint.com

11