



- Single, dual and multi-coloured models available
- Ultra bright latest generation LED's
- 11 – 30 volt operation
- Low current draw (2.2 amps max on 12v system)
- 6 flash patterns
- UV stabilised lenses
- Single bolt, magnetic & suction mount options
- ECE R65 approved & DEKRA speed rated
- Light weight design
- CAP168/ICAO Airport flash
- Dim mode (night and day)
- Synchronisation with Redtronic Products
- Cruise feature
- IP66 Dust and Water Resistant
- 2 year warranty
- Manufactured in the United Kingdom

**Technical Information**

Dimensions	255mm x 179mm x 55mm (including magnets)
Voltage	11 – 30v
Light Output	400 lumens (Amber) // 270 lumens (Blue)
Weight	1.7kg (including magnets)
'All on' - Current Draw (12v)	2.2 amps
Speed Test	DEKRA 153mph
Warranty	2 years

**LED Module Flash Pattern Sequence - Single Bolt Blue or Amber**

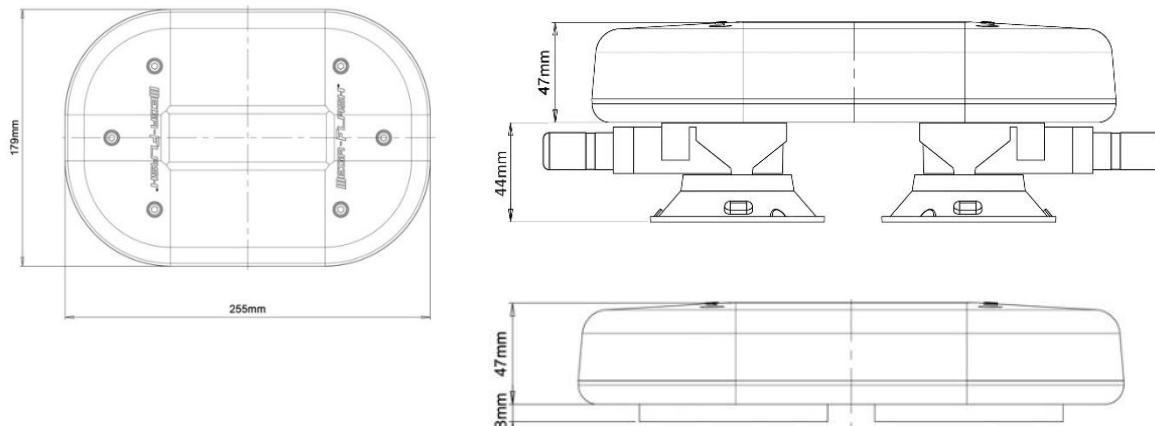
LED Module Flash Pattern Sequence	Output 1
	<b>Green Cable</b>
Mega-Flash	✓
Quad	✓
Triple	✓
Double	✓
Single	✓
Hyper	✓

**LED Module Flash Pattern Sequence - Single Bolt Red, Green, Dual or Multi colour**

LED Module Flash Pattern Sequence	Output 1	Output 2
	<b>Red Cable</b>	<b>Green Cable</b>
Mega-Flash	✓	✓
Quad	✓	✓
Triple	✓	✓
Double	✓	✓
Single	✓	✓
Hyper	✓	✓
Quad (Slow)	✓	✓
Triple (Slow)	✓	✓
Double (Slow)	✓	✓
Single (Slow) CAP168/Airport (60pm)	✓	✓

**Dimensions (Including Fixing Options)**

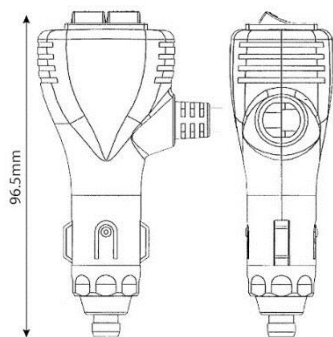
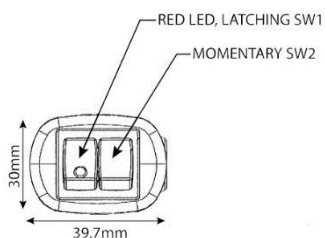
Fixing Method	Height
Single Bolt	73mm
Mag Mount	55mm
Suction Mount	92mm



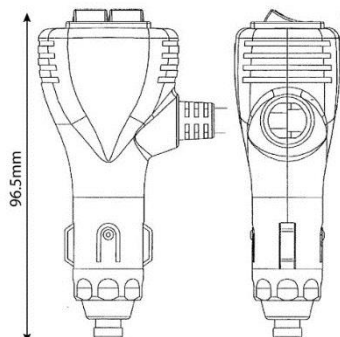
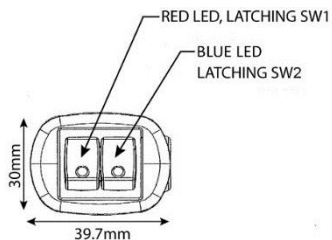
**Example Standard Cig Plug Configurations**

Depending upon specification, the microbar will be supplied with either of the following cigarette plugs.

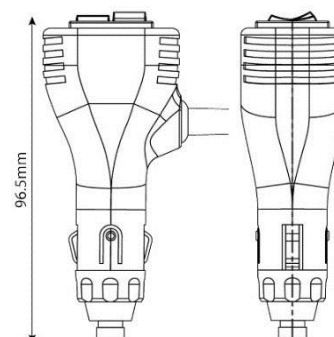
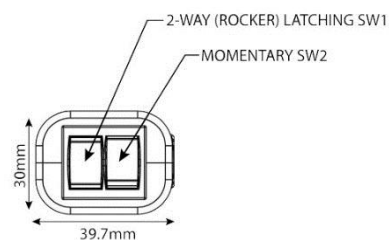
**Latching / Momentary**  
**Part Code: EM173CDG**



**Latching / Latching**  
**Part Code: EM173CDG2**



**2-Way Latching Rocker Switch / Momentary**  
**Part Code: EM173CDG3**



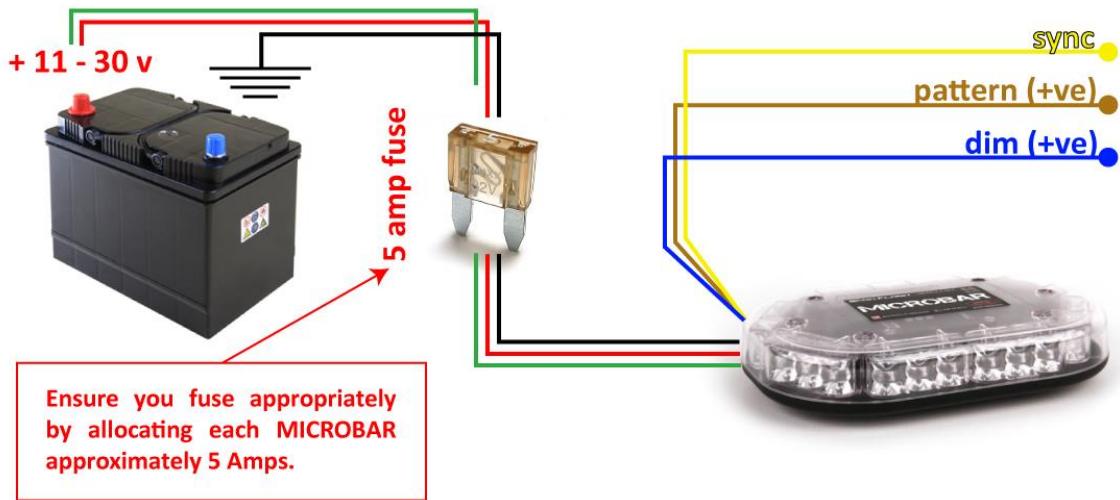
**Cable Functions - single bolt blue or amber microbar**

Function	Cable Colour	Description
Standby Power +Ve	Red	Microbar is in Standby mode
Ground -Ve	Black	0v ground / earth
Power 360 colour 1	Green	Flashes the LEDs
Pattern +Ve	Dark Brown	Pattern select
Dim +Ve	Blue	Light output reduces to 25% brightness
Synchronisation	Yellow	Link to other mega-flash products
Spare	Grey	Spare
Spare	Orange	Spare
Spare	Purple	Spare
Spare	White	Spare

**Cable Functions – Single Bolt Red, Green, Dual or Multi colour**

Function	Cable Colour	Description
Standby Power +Ve	Red	Microbar Flashes Primary LED colours
Ground -Ve	Black	0v ground / earth
Power 360 colour 1	Green	Microbar Flashes Secondary LED colours
Pattern +Ve	Dark Brown	Pattern select
Dim +Ve	Blue	Light output reduces to 25% brightness
Synchronisation	Yellow	Link to other mega-flash products

**Installation - single bolt microbar**



**To set the flash pattern:**

With the lamp powered on, the **brown wire** should be connected to **positive (+)** terminal from the power source momentarily, to change to the next pattern. Either touch the wire to positive briefly, or connect via a momentary switch and press to change pattern. There are 10 flash patterns (9 flash patterns on Single colour blue or amber Tornado lamps). Holding to +ve for 2 seconds will revert to flash pattern 1.

**To set the DIM function:**

Connect the **blue wire** to **positive (+)** at the power source to enable DIM (night) mode. The blue wire needs a constant connection to (+ve) to operate in this mode. The lamp will return to full brightness when the **blue wire** is disconnected.

**To permanently illuminate a lamp:**

Connect the **yellow wire** to negative (-) at the power source to enable 'steady burn' mode. The **yellow wire** needs a constant connection to (-) to operate in this mode. The lamp will return to the set flash pattern when the **yellow wire** is disconnected.

**To Synchronise lamps:**

When the desired flash pattern and mode has been set, connect the **yellow wires** from each lamp together, this will ensure all lamps flash in synchronised format.

***Ensure IP67 rated connectors are used to terminate all wiring. Failure to do so may invalidate the product warranty.***

## Associated Datasheets

- Suction cup maintenance
- ECE R65 approval
- DEKRA speed approval