

S-HAL06

SPLIT Color HAL06



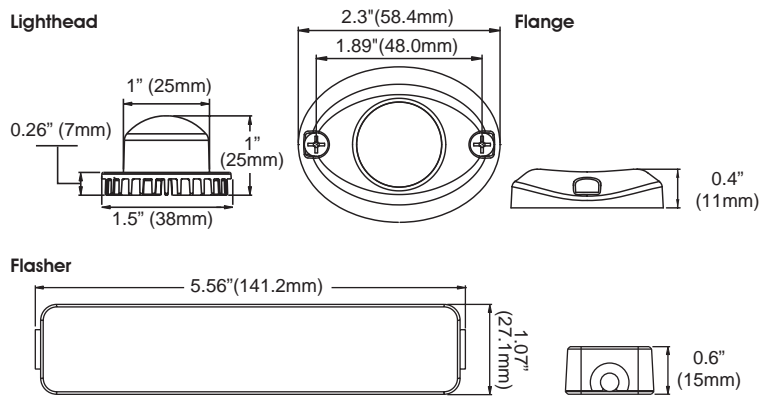
FEATURES

- Split color capability with independent activation wires.
- Built-in 19 Selectable Flash Patterns.
- LEDs rated to 100,000 hours of operation.
- Non-volatile memory recalls last flash pattern used at power up.
- Multiple units are synchronizable, and can flash simultaneously or alternately.
- Reverse polarity protection.
- Weatherproof and vibration resistant for external or internal use.
- Flange option for surface mount applications.

SPECIFICATIONS

- LED Element:** High intensity LED x 6pcs per head.
- Warning Patterns:** 19 Flash Patterns
- Operates Voltage:** 10-16 VDC
- Ave. Current:** 0.65A @12VDC (varies with flash pattern)
- Ave. Power:** 7.8 Watts (varies with flash pattern)
- Max. Current:** 1.3A @12VDC
- Max. Power:** 15.6 Watts
- Function Wires:** Red-Vcc: 185cm / 20AWG
 Black-GND: 185cm / 20AWG
 Yellow-Flash Patterns & Sync: 185cm / 20AWG
 White-Vcc: 185cm / 20AWG
- Connection Cable:** Output : 85cm / 22AWG
 Extension : 200cm / 22AWG
 Lighthouse : 20cm / 22AWG
- Fuse Recommend:** 2A
- Multi-Unit Synchronization:** Over 15 units
- Max. Cable Length:** Controller Cable = 600cm
 Lighthouse Cable = 800cm

DIMENSIONS



FLASH PATTERN

FP#	Flash Patterns		
1	Random (default)	11	Double (all)
2	Single (split)	12	Quad (all)
3	Double (split)	13	Quint (all)
4	Quad (split)	14	Mega (all)
5	Quint (split)	15	Ultra (all)
6	Mega (split)	16	Single-Quad (all)
7	Ultra (split)	17	Single H/L (all)
8	Single-Quad (split)	18	Steady Half
9	Single H/L (split)	19	Steady All
10	Single (all)		