

UNDERCOVER LED KIT USER MANUAL

CONTENTS



LIGHTHEAD x 2pcs



EXTENSION CABLE



FLASHER & CABLE



GASKET x 2pcs



SCREW x 4pcs

FLANGE OPTION x 2pcs



FOAM x 2pcs

LIGHT ASSEMBLY INSTALLATION

1. Remove the Corner/Head/Tail light from vehicle.
2. Select location to mount lighthouse.
3. Drill 1 inch diameter hole to the light assembly.
4. Insert lighthouse into hole and rotate to achieve optimum effect.
5. Secure lighthouse with supplied sheet metal screws.
6. Apply silicone (user-supplied) for better seal.

WARNING: Do NOT cover heat sink with silicone. It may cause damage to the product and void warranty.

OPERATIONS

To +VDC (fuse @2A) for Color1 activation.....**RED**

To Chassis Ground.....**BLACK**

To +VDC (fuse @2A) for Color2 activation.....**WHITE**

For Synchronization & Flash Patterns.....**YELLOW**

Connect YELLOW wires of all Kits together for synchronization

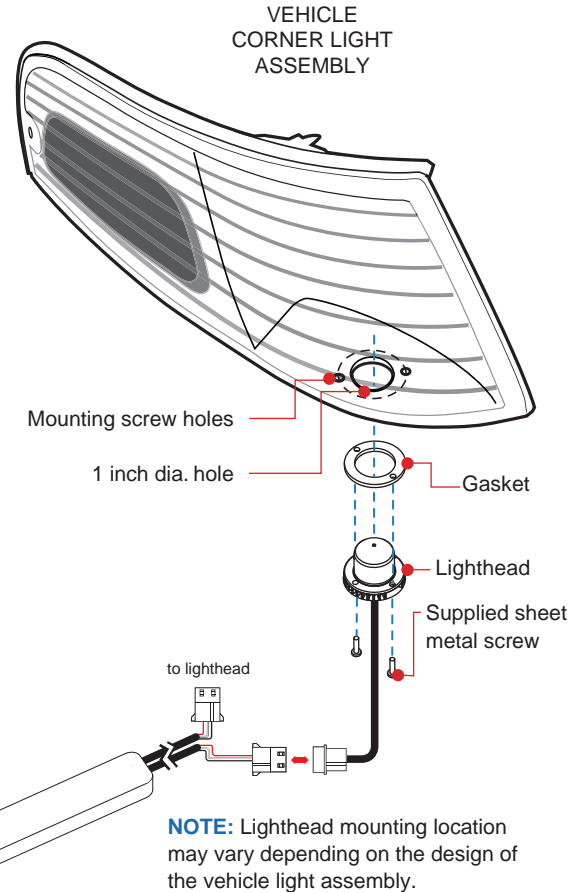
*All kits must be set at the same pattern

For Simultaneous or Split Flash (single head):

1. Apply +VDC to RED and YELLOW wires simultaneously to enter Mode selection; lighthouse will display single flash.
2. Remove YELLOW wire from +VDC and momentarily apply to +VDC to change Mode: Mode1 = Simultaneous Flash, Color1 and Color2 LEDs flash together.
(default)
Mode2 = Split Flash, Color1 LEDs alternate with Color2 LEDs.

Mode1 (Simultaneous Flash) (Suitable for Single - Color Heads)		Flash	Head1 Color1Color2	Head2 Color1Color2
Flash Patterns # 1~9	Color1&2 flash together, Head1 alternate Head2	1st	<input checked="" type="checkbox"/> <input checked="" type="checkbox"/>	<input type="checkbox"/> <input type="checkbox"/>
		2nd	<input type="checkbox"/> <input type="checkbox"/>	<input checked="" type="checkbox"/> <input checked="" type="checkbox"/>
Flash Patterns # 10~17	Color1&2 flash together, Head1&2 flash together	1st	<input checked="" type="checkbox"/> <input checked="" type="checkbox"/>	<input checked="" type="checkbox"/> <input checked="" type="checkbox"/>
		2nd	<input type="checkbox"/> <input type="checkbox"/>	<input type="checkbox"/> <input type="checkbox"/>
Flash Pattern # 18	Steady Half	1st	<input checked="" type="checkbox"/> <input checked="" type="checkbox"/>	<input checked="" type="checkbox"/> <input checked="" type="checkbox"/>
		2nd	<input checked="" type="checkbox"/> <input checked="" type="checkbox"/>	<input type="checkbox"/> <input type="checkbox"/>

Mode2 (Split Flash) (Suitable for Split - Color Heads)		Flash	Head1 Color1Color2	Head2 Color1Color2
Flash Patterns # 1~9	Color1 alternate Color2	1st	<input checked="" type="checkbox"/> <input type="checkbox"/>	<input type="checkbox"/> <input checked="" type="checkbox"/>
		2nd	<input type="checkbox"/> <input checked="" type="checkbox"/>	<input checked="" type="checkbox"/> <input type="checkbox"/>
Flash Patterns # 10~17	Color1 flash together, Color2 flash together	1st	<input checked="" type="checkbox"/> <input type="checkbox"/>	<input checked="" type="checkbox"/> <input type="checkbox"/>
		2nd	<input type="checkbox"/> <input checked="" type="checkbox"/>	<input type="checkbox"/> <input checked="" type="checkbox"/>
Flash Pattern # 18	Steady Half	1st	<input checked="" type="checkbox"/> <input checked="" type="checkbox"/>	<input checked="" type="checkbox"/> <input checked="" type="checkbox"/>
		2nd	<input checked="" type="checkbox"/> <input type="checkbox"/>	<input checked="" type="checkbox"/> <input type="checkbox"/>



NOTE: Lighthouse mounting location may vary depending on the design of the vehicle light assembly.

For Flash Pattern change, momentarily apply +VDC to **YELLOW** wire: · once for next pattern · quickly three times for reset

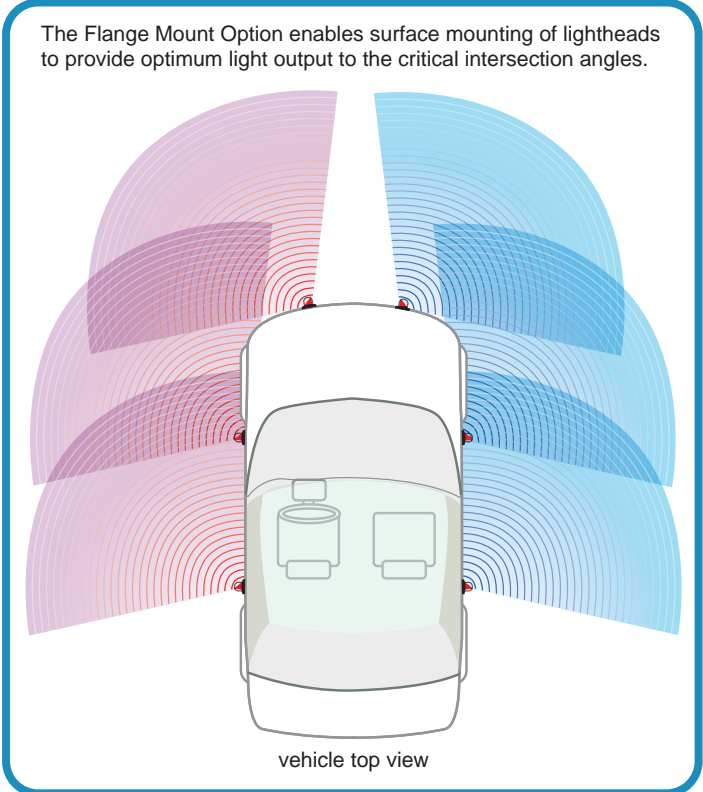
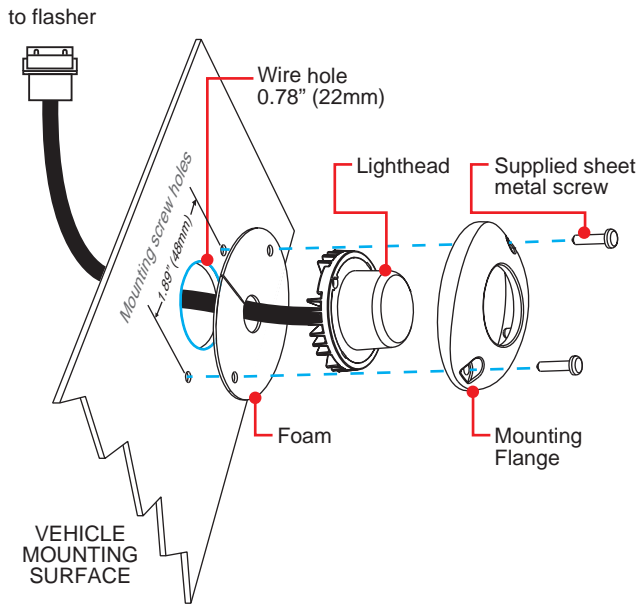
Flash Patterns			
1	Random	11	Double (all)
2	Single (split)	12	Quad (all)
3	Double (split)	13	Quint (all)
4	Quad (split)	14	Mega (all)
5	Quint (split)	15	Ultra (all)
6	Mega (split)	16	Single-Quad (all)
7	Ultra (split)	17	Single H/L (all)
8	Single-Quad (split)	18	Steady Half
9	Single H/L (split)	19	Steady All
10	Single (all)		

NOTE: This unit may not be factory set at FP# 1.

FLANGE MOUNT INSTALLATION (for kits with Flange option only)

1. Use mounting flange to mark wire and screws holes to drill.
2. Drill marked holes accordingly.
3. Insert lighthouse pigtail into wire hole.
4. Place foam, lighthouse, and flange in line with the mounting holes, and secure with supplied sheet metal screws.

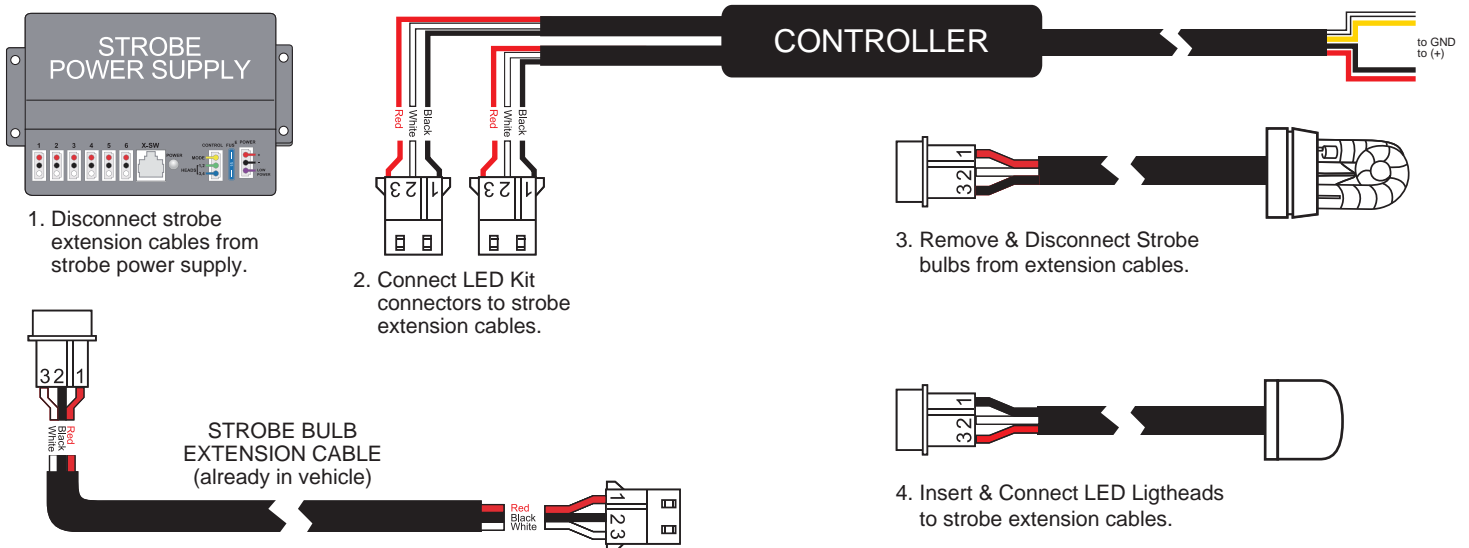
NOTE: Position lighthouse so that LEDs are facing the desired direction.



WARNING: Make sure to use the foams when mounting lighthouses.

WIRING TO EXISTING STROBE CABLES

In this configuration, existing strobe extension cables are used to facilitate installation.



NOTE: Wire colors of LED Kit do not need to match wire colors of extension cables.

WARNING: Do not connect LED lighthouse directly to strobe power supply. It will cause damage and void the warranty.