

B14 Atom

R65 LED Beacon

ECE-R65 Class 1 Approved

12~24VDC

E6 TA1
000036

E6 TB1
000037

FEATURES

- Multi-Voltage Input 12~24VDC.
- LEDs rated to 100,000 hours of operation.
- Non-volatile memory recalls last flash pattern used at power up.
- Multiple units are synchronizable and can flash simultaneously or alternately.
- Reverse polarity protection.
- Weather proof and vibration resistant design for external or internal use.

SPECIFICATIONS

Meets: ECE-R65 (TA1/TB1), ECE-R10, SAE.

Operating Voltage: 12~24VDC.

Warning Patterns: 11 Flash Patterns.

Bulb: 3W LED x 10pcs.

Avg. Current: 1.60A @12.8VDC / 0.73A @24VDC
(Varies with Flash Pattern).

Avg. Power: 21 Watts (Varies with Flash Pattern).

Max. Current: 3.2A @12.8VDC / 1.45A @24VDC.

Max. Power: 42 Watts.

Wires: *Magnetic Mount.*

- Single button cigar-plug: 300cm.

Permanent Mount.

- Red-Vcc : 40cm (18AWG).
- Black-GND: 40cm (18AWG).
- Yellow-Flash Patterns & Sync: 40cm (18AWG).
- White-Phase: 40cm (18AWG).

Fuse Recommended: 5.

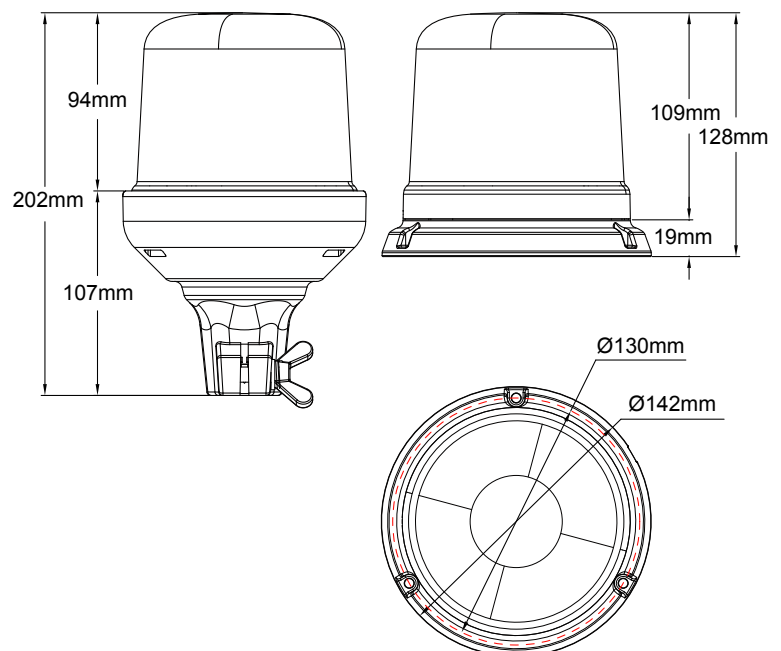
Multi-Unit Synchronization: Over 15.

Storage Temperature: -40°C to +75°C.

Operating Temperature: -30°C to +65°C



DIMENSIONS



RSG ENGINEERING LTD

19 Hollies Business Park, Hollies Park Road, Cannock, Staffordshire WS11 1DB.
Telephone: 01543 438800 Email: sales@rsg-ontop.com Web: www.rsg-ontop.com