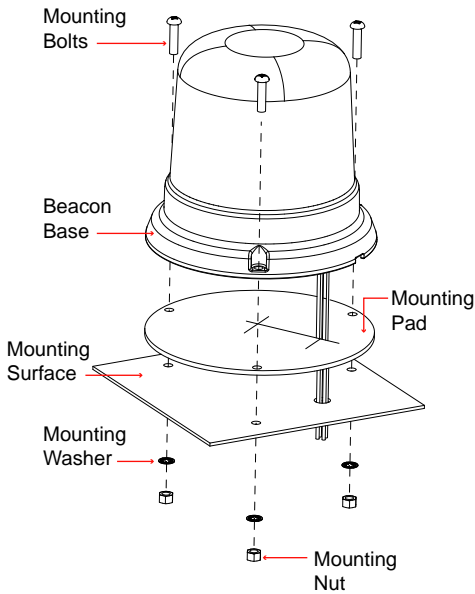


B14 Atom LED Beacon

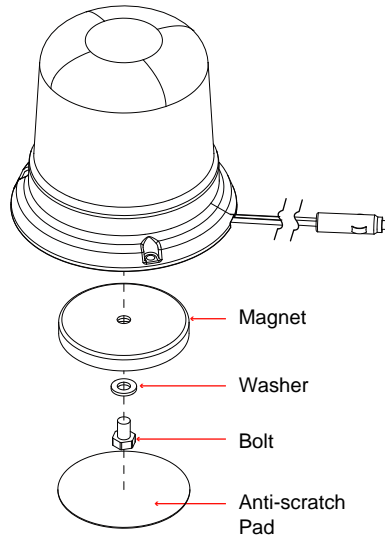
Mount Permanent and Temporary

3 Bolt Mount



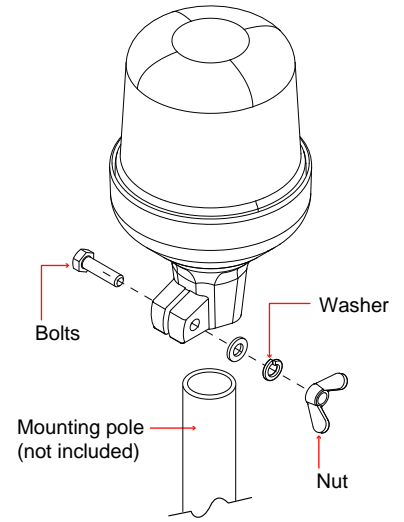
1. Drill holes on mounting surface for wire exit and mounting bolts.
2. Secure beacon onto mounting surface with mounting bolts.

Magnetic Mount



WARNING: It is not recommended to use magnetically mounted warning devices on outside of vehicles in motion. Usage is at the sole risk and responsibility of the user.

Flexible DIN Mount



Operation Instructions

RED: To +VDC

BLACK: To Chassis Ground (-)

WHITE: For Simultaneous or Alternating Flash

Group1 Units: (Wiring- WHITE connected to RED) will flash together

Group2 Units: (Wiring- WHITE not connected to RED) will flash together

Group1 Units will alternate with Group2 Units

YELLOW: Flash patterns & Synchronization

Connect YELLOW wires of all heads together for synchronization

*All heads must be set at the same pattern

Momentarily apply +VDC to YELLOW wire:

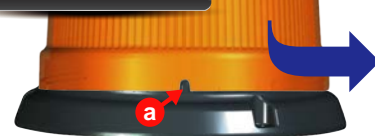
- once for next pattern
- quickly 3 times for pattern 0

FP#	FLASH PATTERNS	FP#	FLASH PATTERNS
1	Double R65 (2Hz)	7	Quint
2	Single (2Hz)	8	Mega
3	Quad (2Hz)	9	Ultra
4	Single	10	Single-Quad
5	Double	11	Single H/L
6	Quad		

Note: This unit is not factory set at FP#0

Flash Pattern Change

1. Open beacon



Push down on **a**, and twist dome clockwise, then lift dome to open.

2. Change pattern



Momentarily push red button to change to next flash pattern. (see flash patterns chart)

3. Close beacon



Align dome indent **a** to the ribless screw **b**, then twist counter clockwise to close.