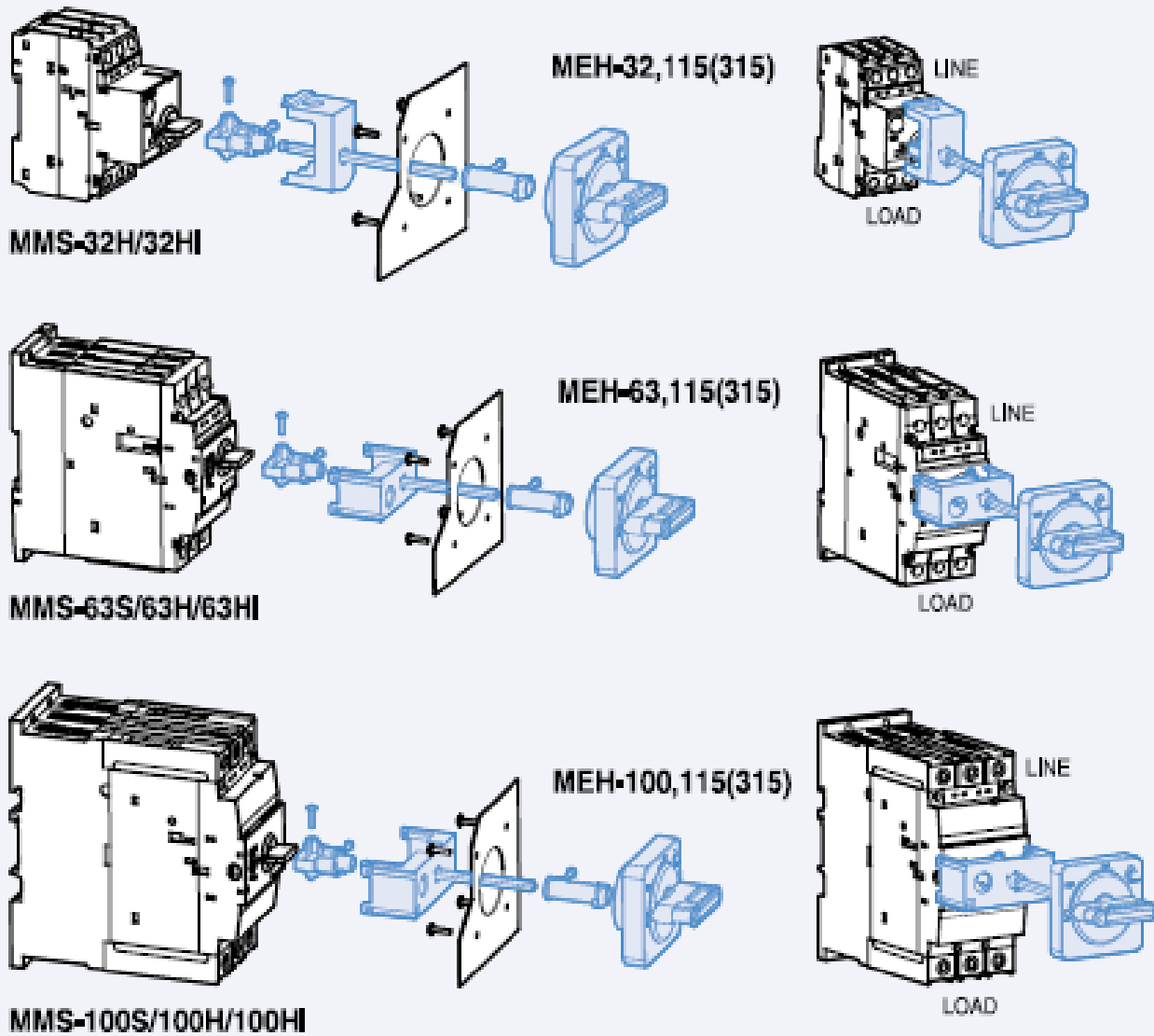


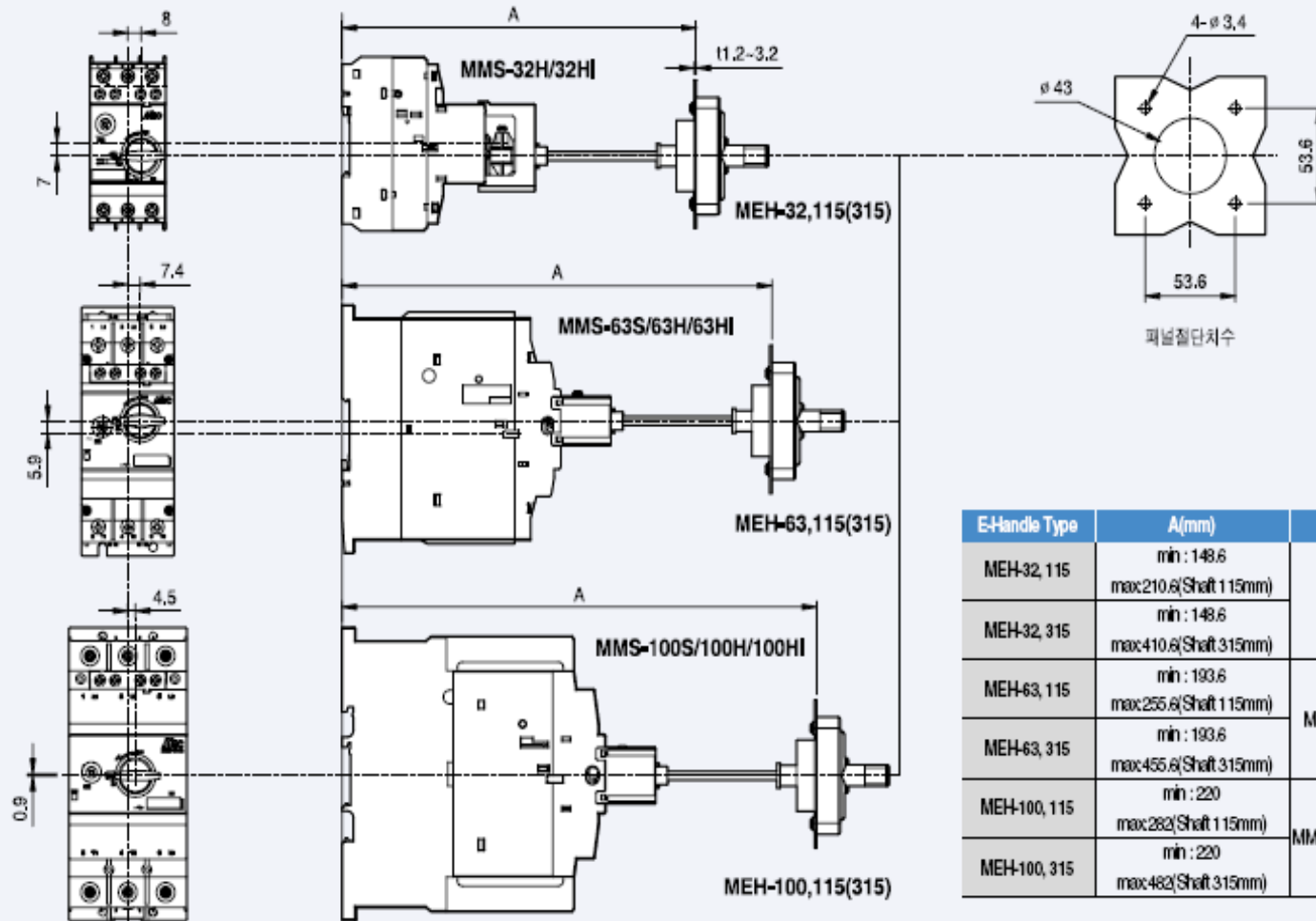


< External Handle for MMS >

Name	MEH-32(63/100), 115(315)
Type	Extended Handle with rotary operating mechanism
Degree of protection	IP 65
Locking device	Lock in on/off position
Material of insulation	PA66



< Structure >



E-Handle Type	A(mm)	MMS Type
MEH-32, 115	min : 148.6 max:210.6(Shaft 115mm)	MMS-32H/32HI
MEH-32, 315	min : 148.6 max:410.6(Shaft 315mm)	
MEH-63, 115	min : 193.6 max:255.6(Shaft 115mm)	MMS-63S/63H/63HI
MEH-63, 315	min : 193.6 max:455.6(Shaft 315mm)	
MEH-100, 115	min : 220 max:282(Shaft 115mm)	MMS-100S/100H/100HI
MEH-100, 315	min : 220 max:482(Shaft 315mm)	

< Dimensions >