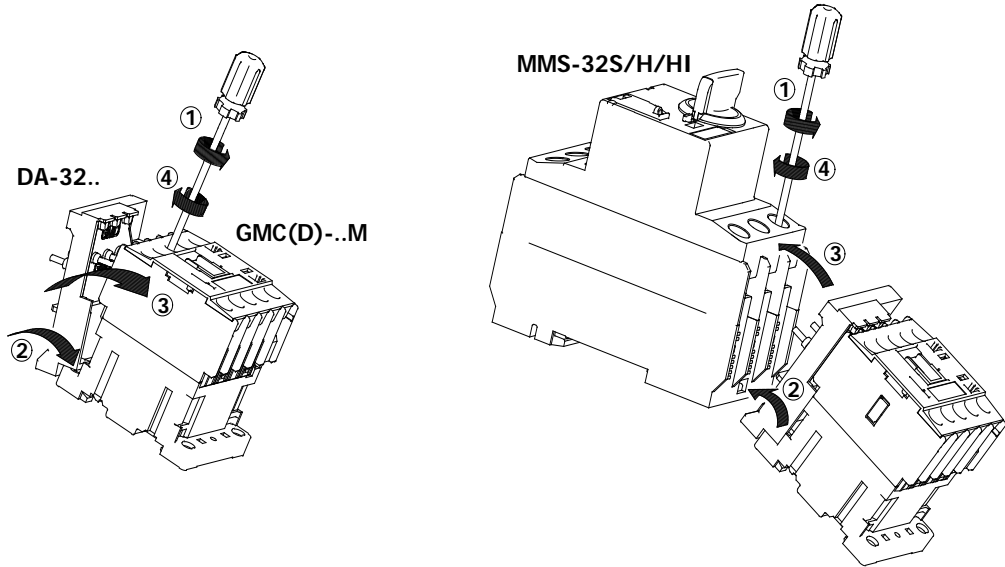
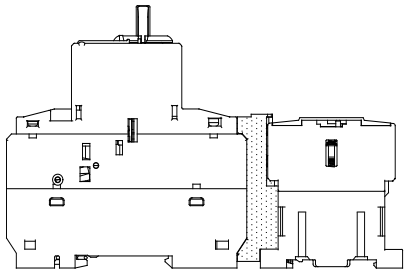


■ **DA** Mounting of Contactor(GMC-M) on Manual motor starter(MMS-32)

Installation



Table



Direct Adaptor	Manual Motor Starter	+	Magnetic Contactor
DA-32SA	MMS-32S	+	GMC-6M-16M
DA-32SD	MMS-32S	+	GMD-6M-16M
DA-32HA	MMS-32H	+	GMC-6M-16M
DA-32HD	MMS-32H	+	GMD-6M-16M

Dimension

