



SolarShield™ HMI Cover



INNOVATIVE, HANDS-FREE VIEWING AND
RUGGED, DURABLE PROTECTION FOR HMI SCREENS

The patented SolarShield™ HMI Cover offers the most innovative, durable non-metallic HMI Cover for use with all enclosure material types! It is rated for flammability and ideal for protecting HMI screens from UV and harsh environmental conditions. Available in standard opaque or clear cover options!



MARKETS AND INDUSTRIES:

- Ideal for Non-Hazardous Industrial and Commercial OEM market segments
- Oil and gas, equipment manufacturing, industrial machines, water/wastewater, marine, food and beverage

APPLICATIONS:

- Extremely tough and durable, patented SolarShield HMI Covers are used in both outdoor and indoor applications.
- Opaque configuration provides superior protection of Human Machine Interface (HMI) screens from the sun, and both Opaque and Clear configurations provide protection from wind-blown dust, water, oils, chemicals, grease, and other environmental conditions.

BENEFITS:

- **Simple and Functional:** Easy to use, hinged design includes supporting inner doors* for hands-free use and better visibility of the HMI screen in the sun.
- **Superior Protection:** SolarShield HMI covers protect HMI screens and electrical equipment from corrosion and damage due to UV**, water, oils, dirt, and sand and greatly reduce equipment replacement cost.
- **Strength:** Impact resistant polycarbonate construction provides long dependable life in harsh conditions.

INNOVATIVE FEATURES:

- Patented design with non-metallic, hinged inner doors* to shield screen from the sun and allow for hands-free use
- Clear Cover configuration has inner doors removed and allows for excellent visibility of the HMI screen while cover is closed
- Maintains NEMA Type 4/4X enclosure rating when paired with a NEMA Type 4/4X HMI device
- Universal covers can be used with either non-metallic or metallic enclosures
- Fits most standard 10" x 8" and smaller HMI screens
- Lightweight, high-impact rated, UV resistant polycarbonate material construction
- Stainless steel hardware kit included
- Padlock-able for increased security
- Simple and easy installation with the use of common tools
- Installation instructions and drill template provided
- Color: Pantone 428C

*Inner doors available in Opaque only

**Clear configuration does not offer added UV protection

NEW! Clear configuration without hinged inner doors for customers requiring HMI screen visibility with cover closed!



OPEN UP YOUR EYES.

CATALOG #	DESCRIPTION	OVERALL H x W x D	INSIDE H x W x D (SCREEN CLEARANCE)
HMICVR1008	Opaque HMI Cover	13.13 x 11.41 x 2.50	9.88 x 7.25 x 0.40
HMICVR1008C	Clear HMI Cover	13.13 x 11.41 x 2.50	9.88 x 7.25 x 0.40

HOW IT WORKS:



1.

Closed cover protects HMI screen from damaging UV rays

2.

Twist latch counterclockwise and lift top hinged cover

3.

Open side cover supports to reveal HMI screen


4.

Rest top cover into notches on supports for a hands-free HMI cover that shades the screen and makes it easy to read!

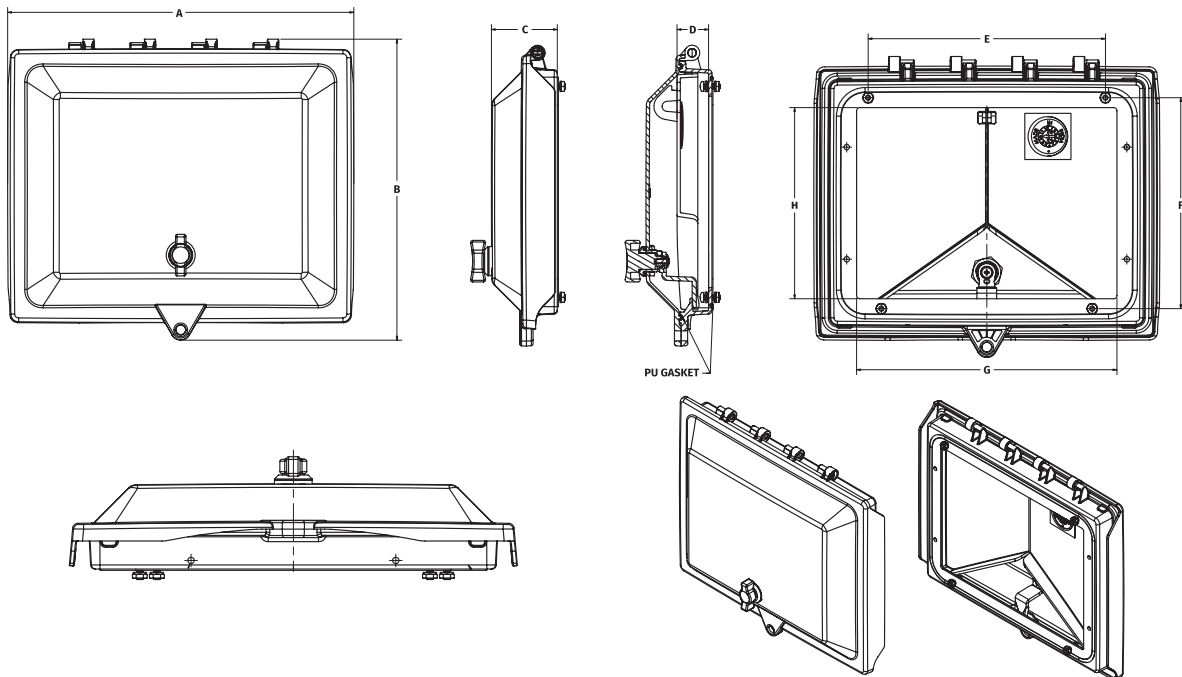
MATERIALS:

- Cover and Base: Polycarbonate with UV inhibitors
- Gasket: Robotically applied foam-in-place seamless polyurethane
- Hardware: Stainless Steel
- Twist Latch: Polyamide

RATINGS AND LISTINGS:

-  US listed per file #E64358
- UL 508 A
- Maintains NEMA Type 4/4X enclosure rating
- Operating Temperature Rating: -40°F to +248°F (-40°C to +120°C)
- Outdoor UV Exposure (UL 746C) (F1) Rated – UL's best rating, meaning resin has passed test for UV exposure and water immersion

DRAWINGS AND DIMENSIONS:



A	B	C	D	E	F	G	H
WIDTH	HEIGHT	DEPTH	USABLE DEPTH	MOUNTING	MOUNTING	MAX SCREEN WIDTH	MAX SCREEN HEIGHT
13.13	11.41	2.50	1.00	9.00	8.00	9.88	7.25

All measurements listed in inches.



500 Maple Street, Belding, MI 48809
E: csr@robroyenclosures.com P: 616.794.0700