

PIN #	COLOR
1	BROWN
2	WHITE
3	BLUE
4	BLACK
5	GRAY

REVISIONS		
REV.	DESCRIPTION	DATE
A	REDRAWN IN SW	7/25/2005

D

D

C

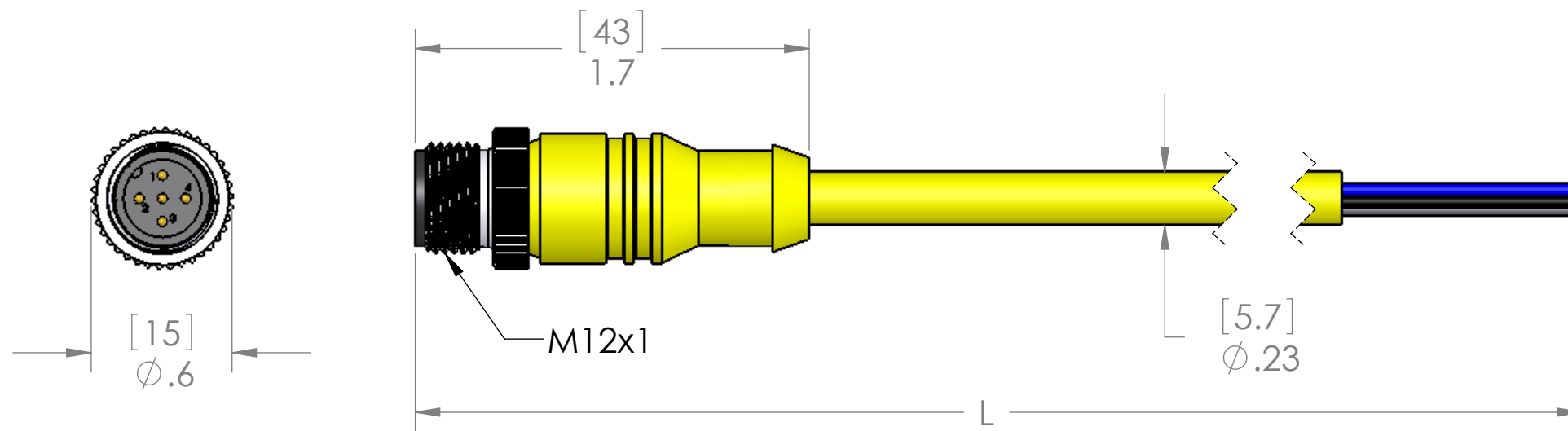
C

B

B

A

A



P/N	L	STD?
MDC-5MP-1M	40" [1m]	YES
MDC-5MP-2M	79" [2m]	YES
MDC-5MP-3M	118" [3m]	YES
MDC-5MP-4M	157" [4m]	YES
MDC-5MP-5M	197" [5m]	YES
MDC-5MP-6M	236" [6m]	NO
MDC-5MP-8M	315" [8m]	NO
MDC-5MP-10M	393" [10m]	YES
MDC-5MP-15M	591" [15m]	YES
MDC-5MP-20M	787" [20m]	NO
MDC-5MP-30M	1181" [30m]	NO
MDC-5MP-50M	1968" [50m]	NO

PARTS LISTED AS NOT BEING STANDARD
MAY HAVE MINIMUM ORDER QUANTITIES

MATERIALS	
BODY:	YELLOW PVC
CONTACTS:	GOLD PLATED COPPER ALLOY
CABLE:	22/5 YELLOW PVC JACKET
COUPLING:	NICKEL PLATED BRASS
INSERT:	POLYAMIDE

APPROVALS:	
US	UL LISTED
CANADA	C-UL LISTED

PROPRIETARY AND CONFIDENTIAL
THE INFORMATION CONTAINED IN THIS
DRAWING IS THE SOLE PROPERTY OF
MENCOM CORPORATION. ANY
REPRODUCTION IN PART OR AS A WHOLE
WITHOUT THE WRITTEN PERMISSION OF
MENCOM CORPORATION IS
PROHIBITED.

VOLTS	300V
AMPS	4A
TEMP	105°C

UNLESS OTHERWISE SPECIFIED:	NAME
DIMENSIONS ARE IN INCHES AND [MM]	DRAWN: DWM
	CHECKED:
	ENG APPR.:
	MFG APPR.:
	Q.A.:
MATERIAL:	MENCOM CORPORATION
FINISH:	
DO NOT SCALE DRAWING	TITLE: 5 POL MAL MDC PLUG STRAIGHT 22 AWG
	SIZE: B
	DWG. NO. MDC-5MP-ZZ
	REV: A
	SCALE: 1.5:1 WEIGHT:
	SHEET 1 OF 1

8

7

6

5

4

3

2

1