

Micro Drive

M100



General

General

Product code		66440001
Product description		LSLV0002M100-SEONNA
Enclosure Rating		IP20
Input Rating (3-Phase)	Supply Voltage [V AC]	-
	Rated Current [HD/CT]	-
	Rated Current [ND/VT]	-
	Supply Frequency [Hz]	-
Input Rating (1-Phase)	Supply Voltage (V AC)	100~120 V AC
	Rated Current (HD/CT)	3.7 A
	Rated Current (ND/VT)	-
	Supply Frequency (Hz)	50~60 Hz
Output Rating (3-Phase)	Output Voltage (V AC)	200~240 V AC
	Motor Power HP (HD/CT)	0.25 hp
	Motor Power HP (ND/VT)	-
	Motor Power kW (HD/CT)	0.2 kW
	Motor Power kW (ND/VT)	-
	Output Current (HD/CT)	1.4 A
	Output Current (ND/VT)	-
	Rated Capacity (HD/CT)	0.6 kVA
	Rated Capacity (ND/VT)	-

	Output Frequency (Hz)	0~400 Hz
--	-----------------------	----------

General

Short Circuit Rating		100kA (IEC 60439-1)
Overload Capacity	HD/CT	150% for 1min
	ND/VT	-
Control Method		V/F Control, Slip Compensation, Sensorless Vector
Input Terminal		5 Points
Output Terminal	Relay Output	2 Points
	Open Collector Output	-
EMC Filter		-
DC Reactor		-
Communication	Built-in	Modbus RTU, LS INV 485
	Option	-
Option Card		Remote Cable, Remote Keypad

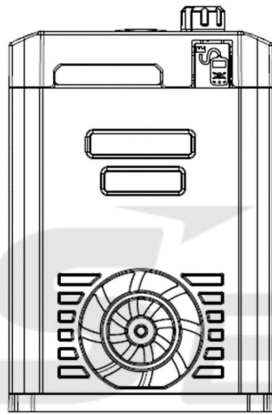
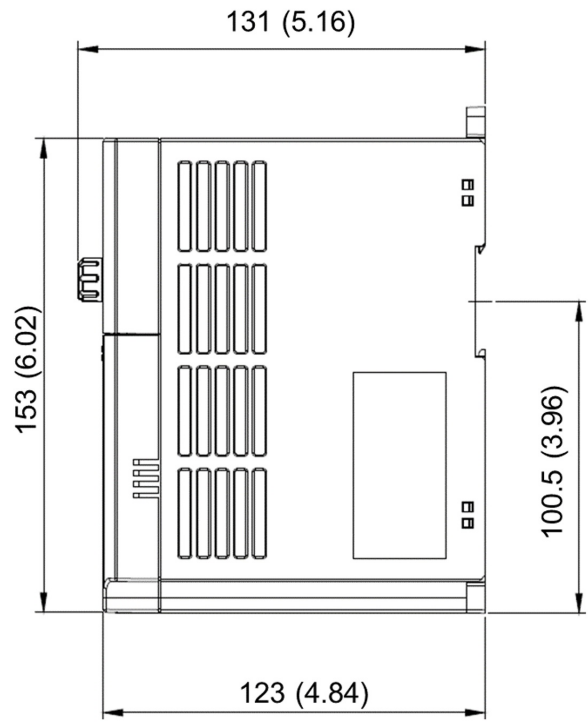
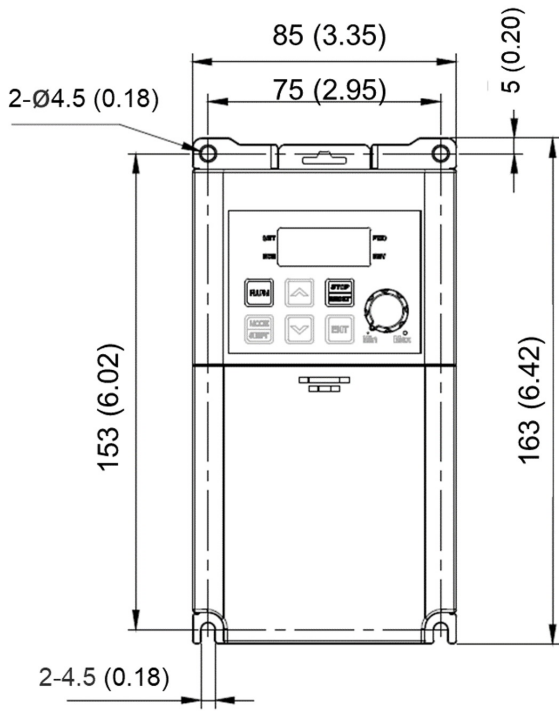
Environment

Ambient Temperature	HD	-10~50°C (14~122°F)
	ND	-10~40°C (14~104°F)
Storage Temperature		-20~65°C (-4~149°F)
Humidity		Relative humidity less than 95% RH (to avoid condensation forming)
Vibration		9.8m/sec ² (1.0G) or below
Altitude		Lower than 3,280 ft (1,000 m) above sea level
Certification		KC, CE, UL, cUL

Dimensions

W x H x D	mm	85 x 163 x 123
	inch	3.34 x 6.42 x 4.84

Drawing



Dimension: mm (inch)

LE ELECTRIC