

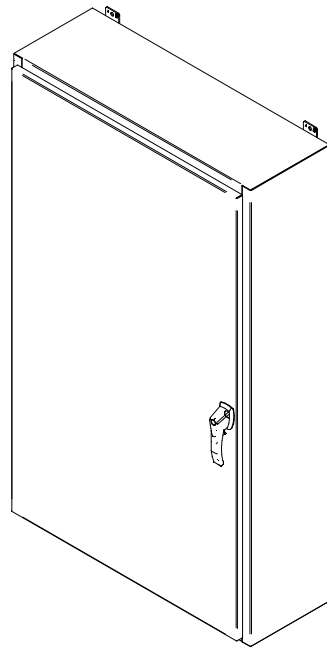


PART No. HW603612SSHK

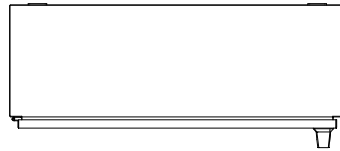
for more information visit
www.hammondmfg.com

Data subject to change without notice

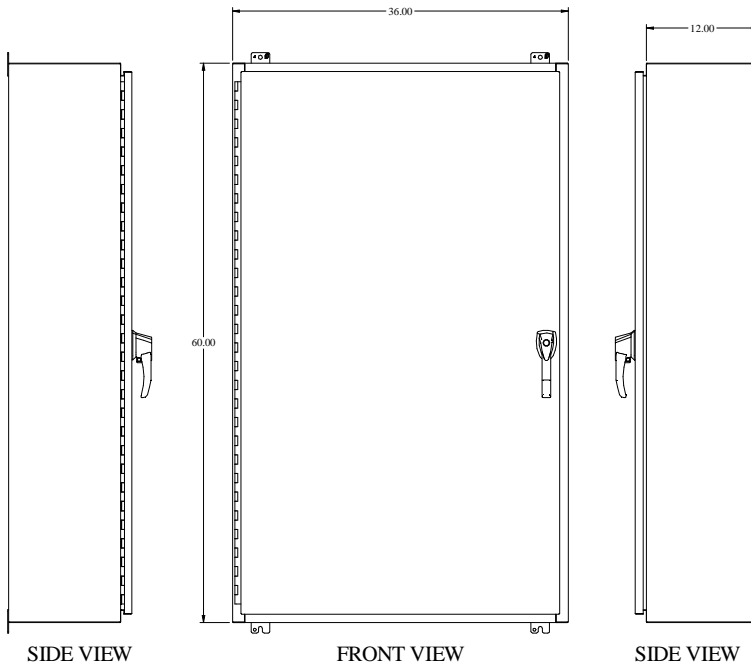
Isometric drawing Not to Scale



ISOMETRIC VIEW



TOP VIEW

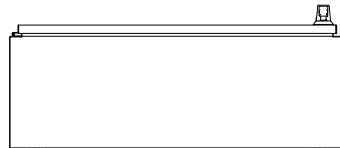


SIDE VIEW

FRONT VIEW

SIDE VIEW

REAR VIEW



BOTTOM VIEW