

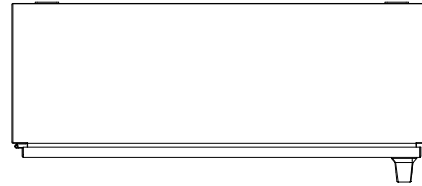


PART No. HW423612SSHK

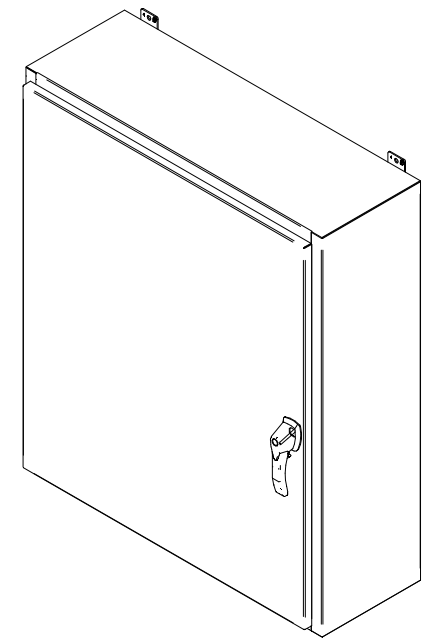
for more information visit
www.hammondmfg.com

Data subject to change without notice

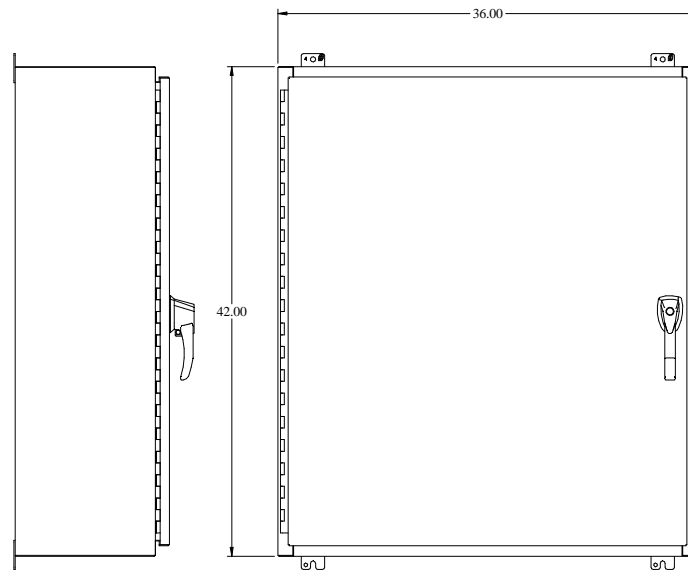
Isometric drawing Not to Scale



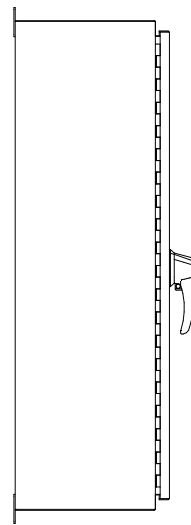
TOP VIEW



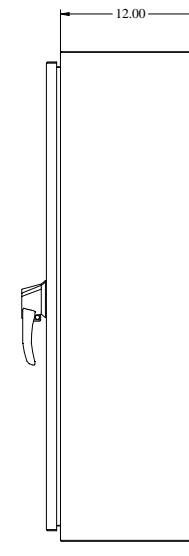
ISOMETRIC VIEW



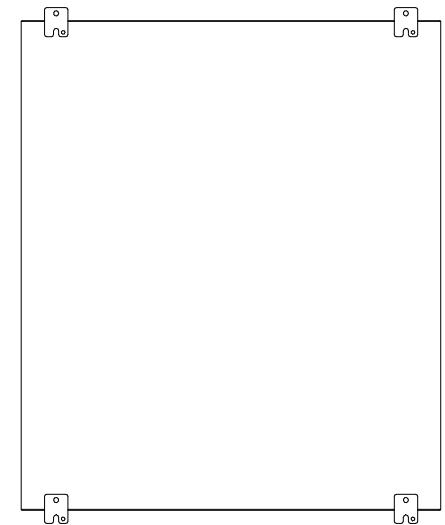
FRONT VIEW



SIDE VIEW



SIDE VIEW



REAR VIEW



BOTTOM VIEW