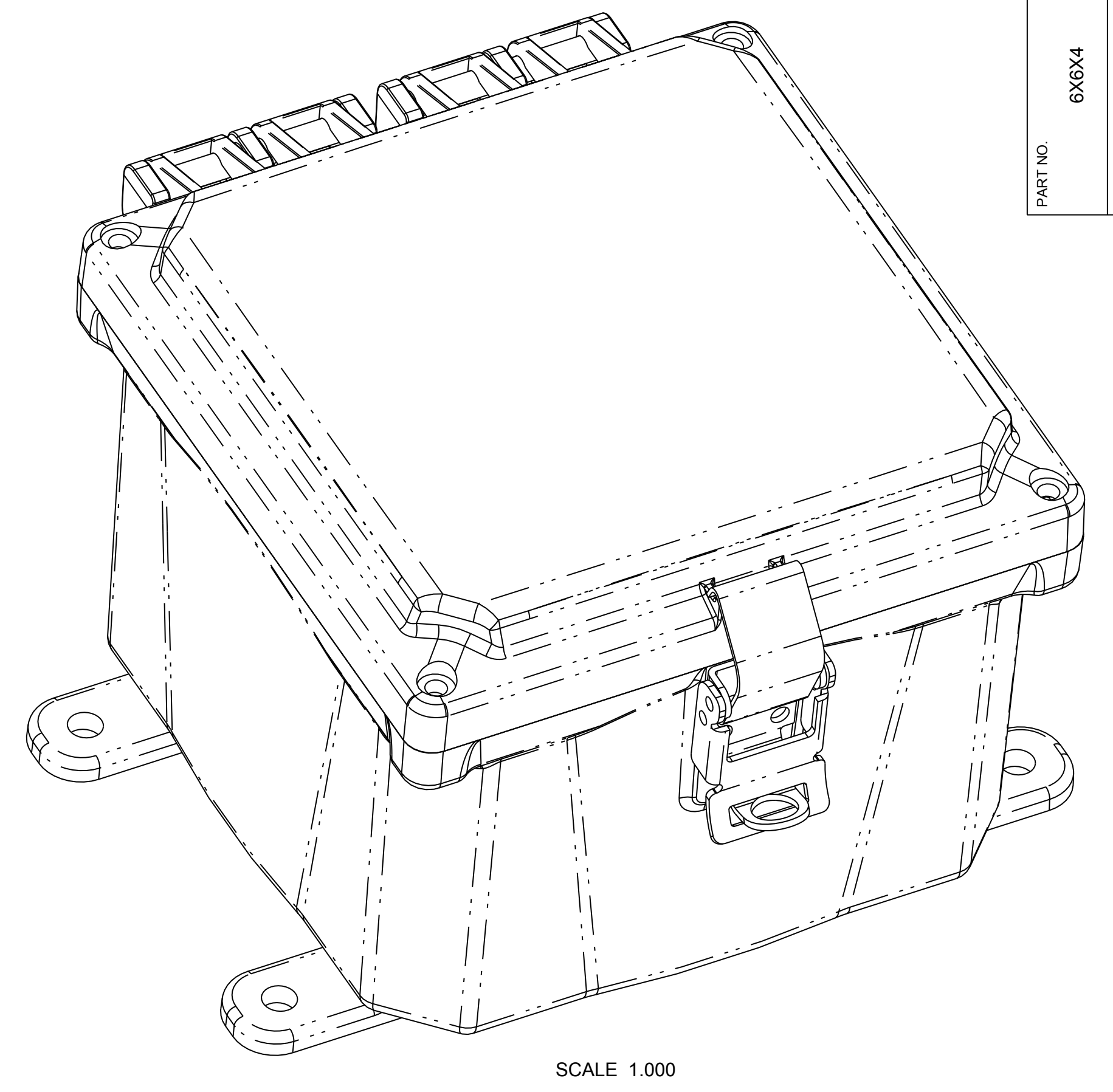
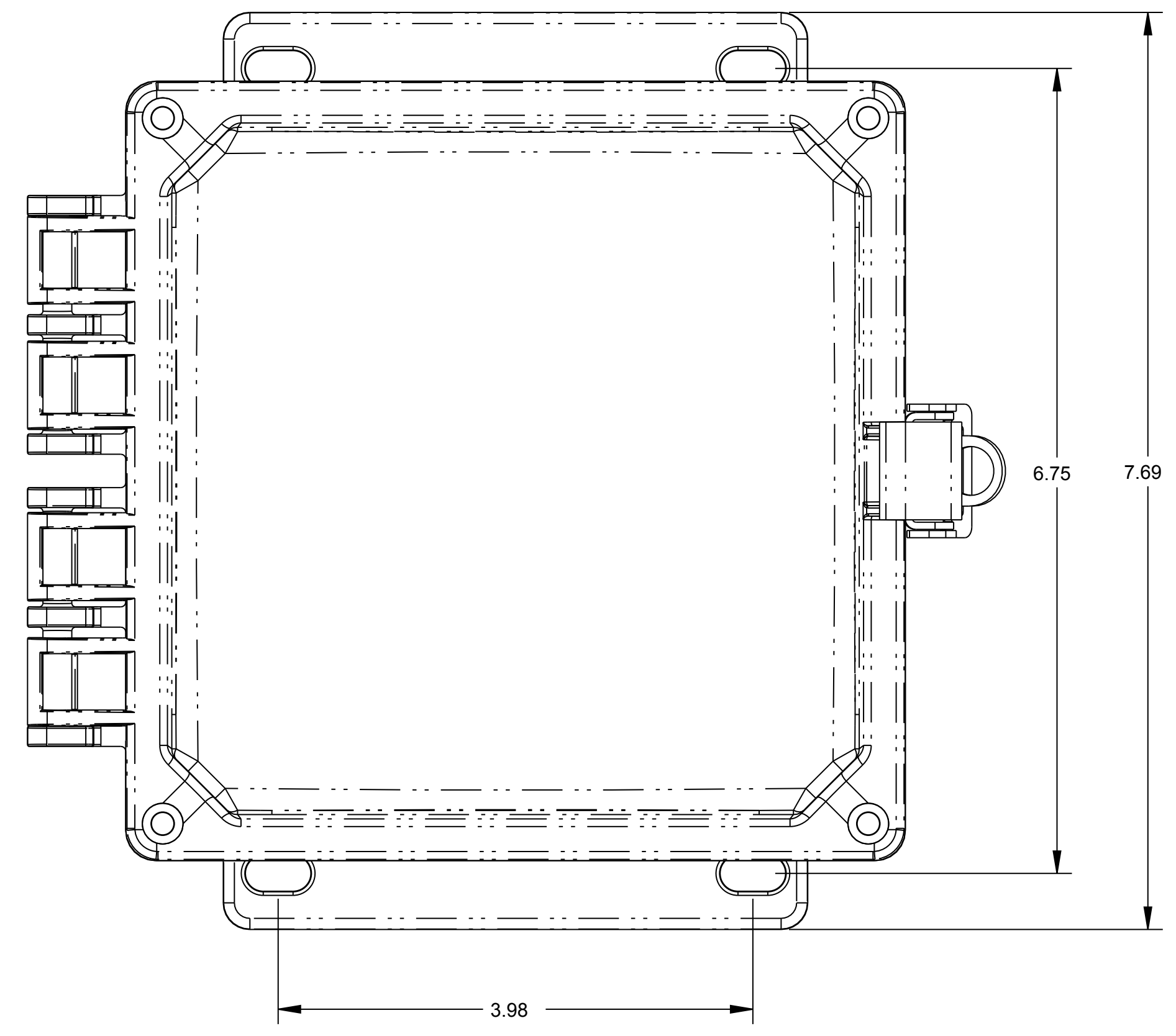
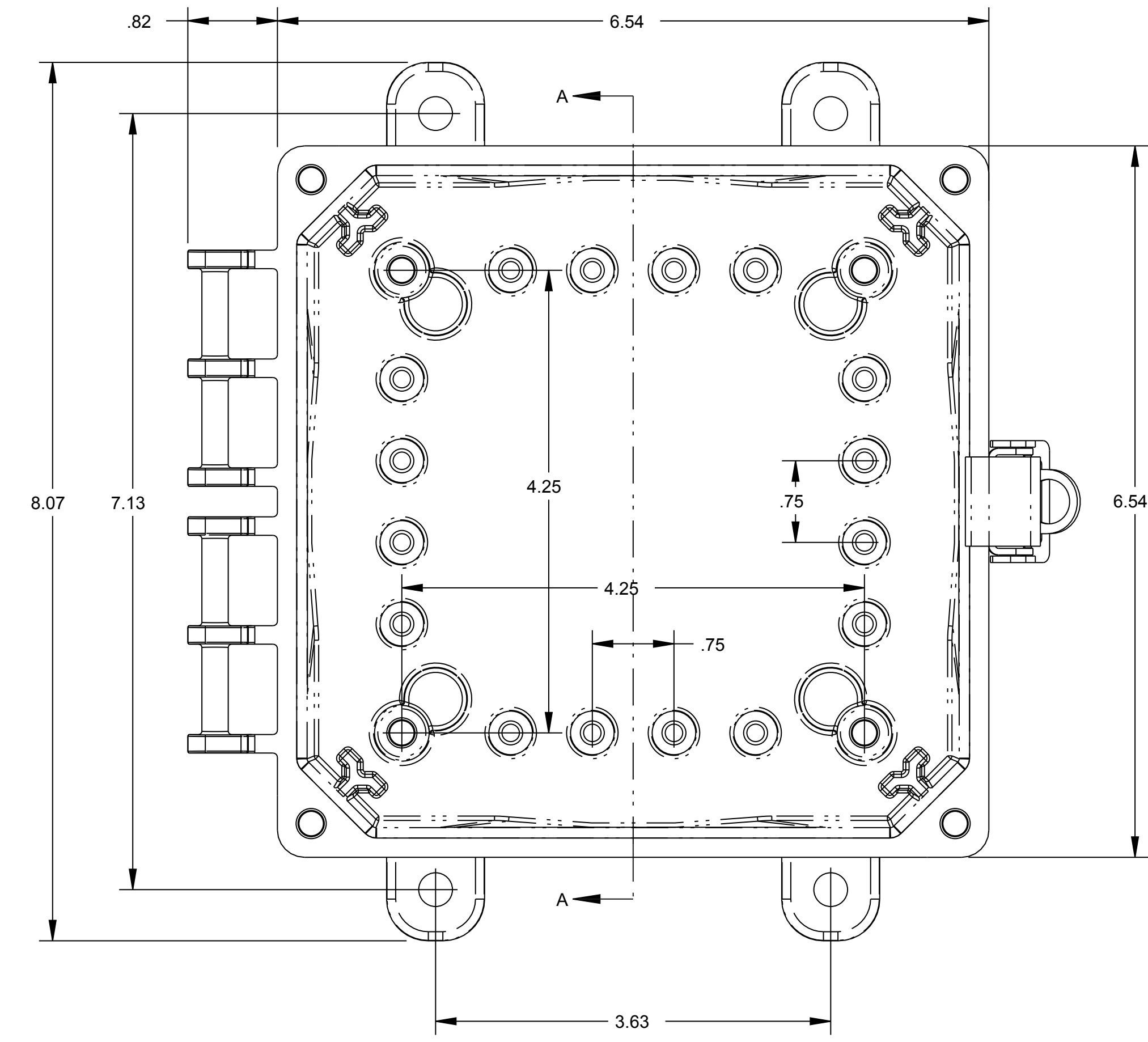


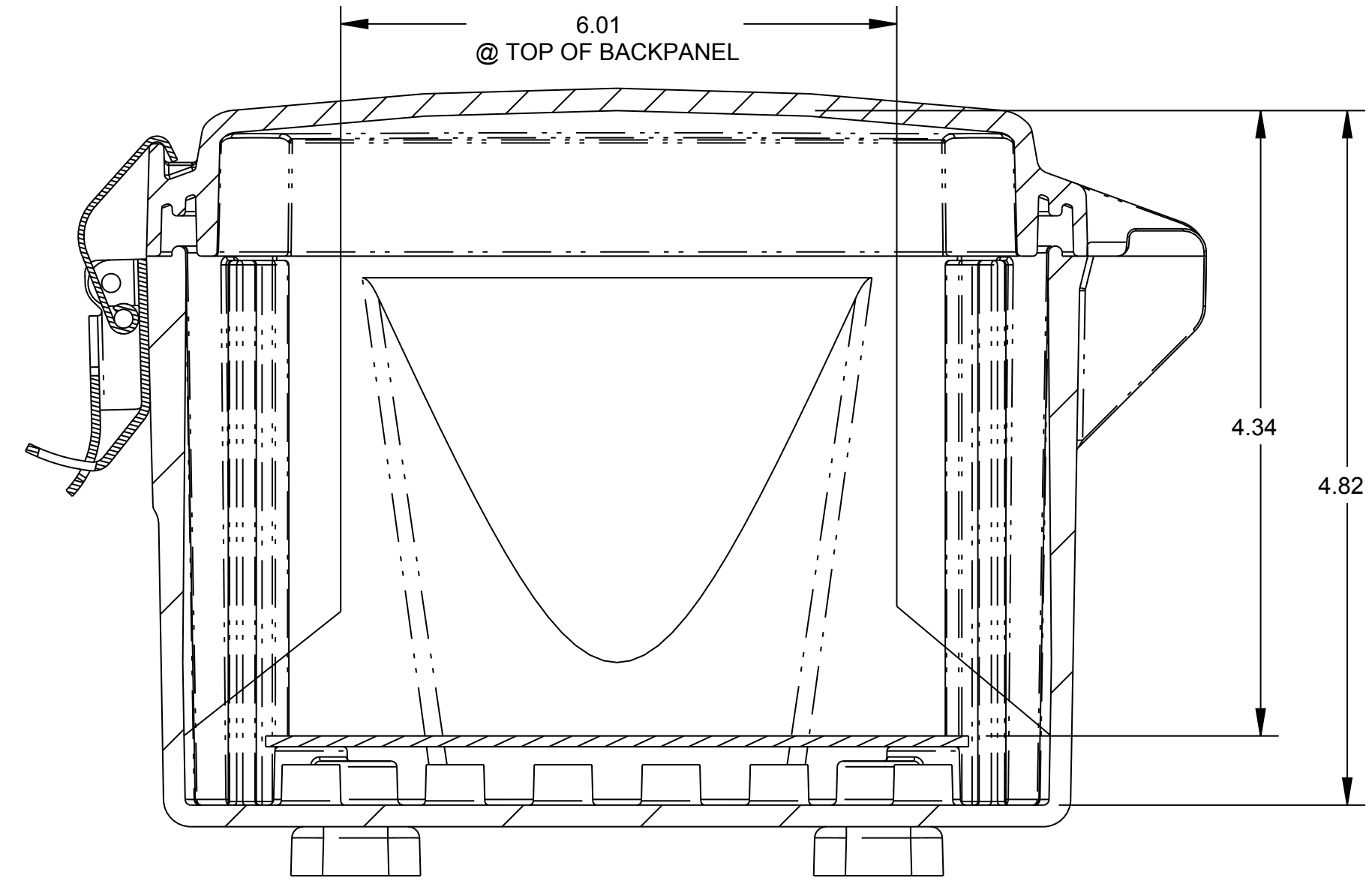
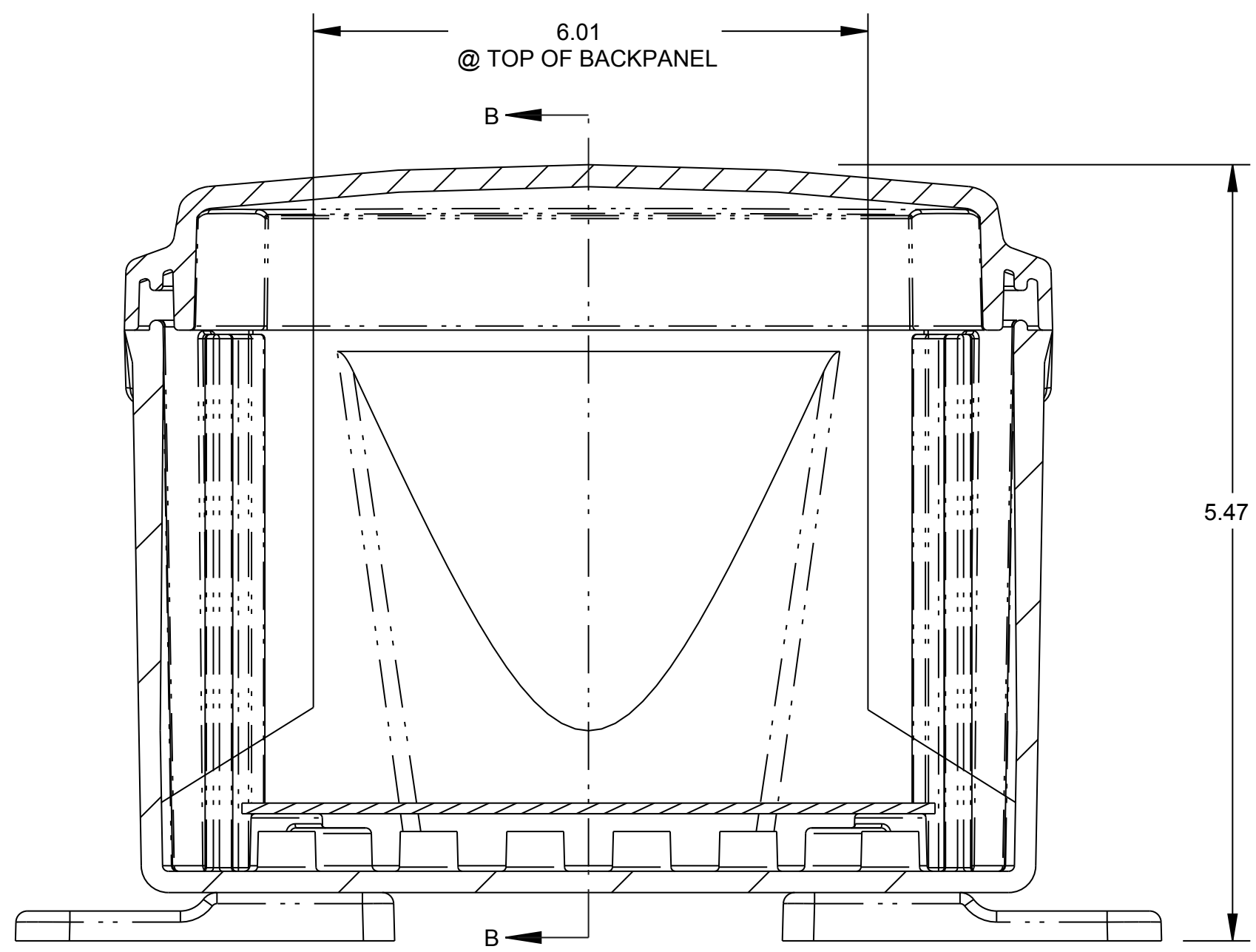
8 7 6 5 4 3 2 1

PART NO. 6X6X4
REVISION -



D
C
B
A

D
C
B
A



SECTION A-A

SECTION B-B

8 7 6 5 4 3 2 1

CONFIDENTIAL
THIS PRINT AND THE SPECIFICATIONS ARE THE PROPERTY OF INTEGRA INC. AND HAS BEEN ISSUED WITH THE UNDERSTANDING THAT IT WILL NOT BE REPRODUCED, REVEALED TO, OR USED FOR MANUFACTURE FOR OTHERS, AND WILL BE RETURNED UPON REQUEST.
(C) DATE 5-18-2008
INTEGRA INC.
ALL RIGHTS RESERVED.

REVISIONS					
REVISION	REVISION LOCATION	DESCRIPTION	BY	DATE	EON NO.

INTEGRA INC. WILLOUGHBY, OHIO	
6x6x4 HINGED BOX ASSEMBLY	
SCALE FULL	PART NO. 6X6X4
DR. BY MC DESIGN	REVISION -
CHKD.	
DATE 5-18-2008	

TOLERANCES
ALL DIMENSIONS EXCEPT WHERE OTHERWISE SHOWN.
ANGLES ± 0° 30'
DECIMALS ± .01 XX ± .005 XXX
FRACTIONS ± -

A