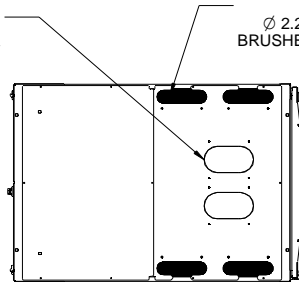
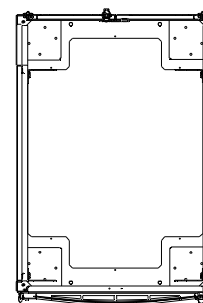


2X
 Ø 4.00 X 7.00 INCH
 KNOCK OUT CABLE ENTRY

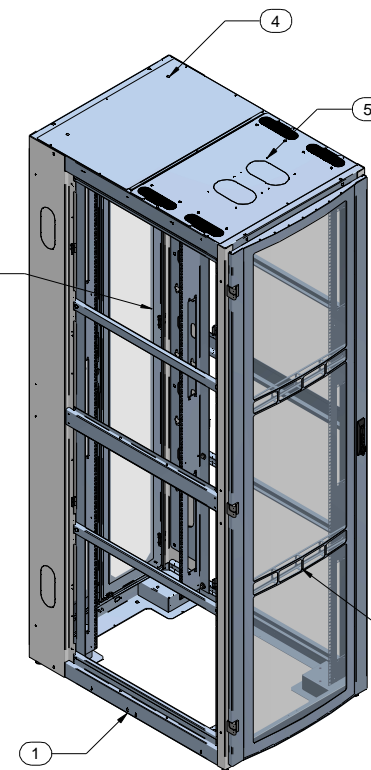
4X
 Ø 2.25 X 7.50 INCH
 BRUSHED CABLE ENTRY



TOP



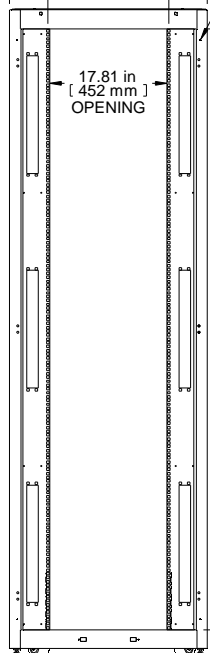
SECTION B-B



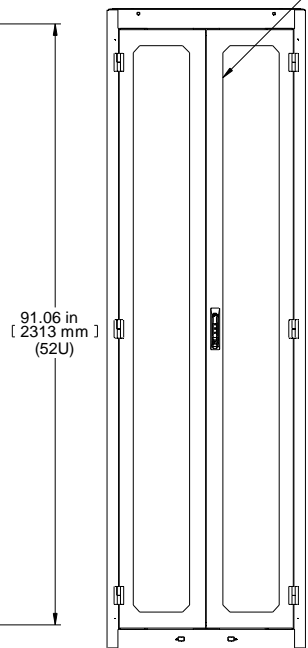
ISOMETRIC

30.00 in
 [762 mm]
 18.35 in
 [466 mm]
 19" MTG

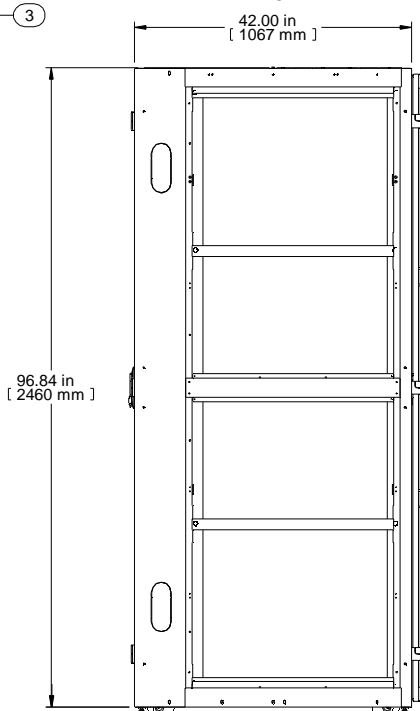
KNOCK OUTS
 FOR GANGING



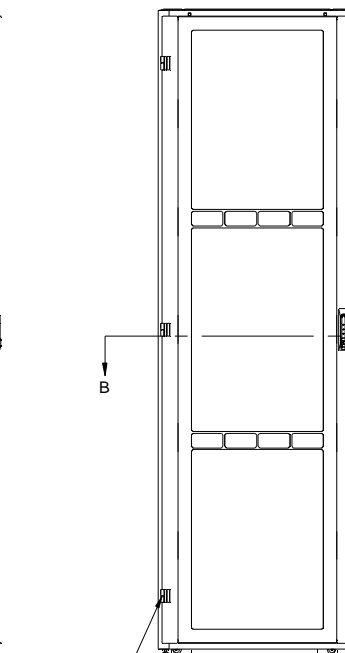
L.S. VIEW
 DOORS REMOVED



L.S. VIEW



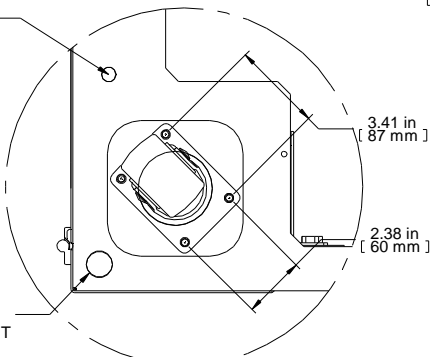
FRONT VIEW



R.S. VIEW

LIFT OFF
 HINGES

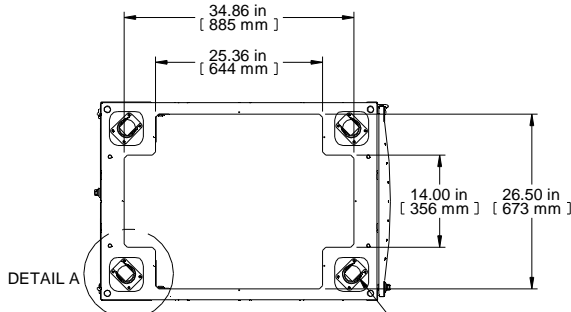
KNOCK OUT
 LAG HOLE
 Ø .562



4X
 DETAIL A
 4:1

1.03 in
 [26 mm]

96.84 in
 [2460 mm]



BOTTOM VIEW
 BOTTOM OPENING

4X
 LEVELING FEET
 5/16-18 UNC

Item Number	Title	Quantity
1	H1 - FRAME (30WX52UX42D)	1
2	H1 - CURVED DOOR VENTED (30WX52U)	1
3	H1 - SPLIT DOORS VENTED (30WX52U)	1
4	TOP PANEL - SOLID	1
5	TOP PANEL - BRUSHED CABLE ENTRY	1
6	H1 PANEL RAIL SQ HOLE (PAIR)	2
7	PDU MTG BRKT	1
8	HEAVY DUTY SWIVEL CASTER	4

PART NUMBERS

H13052U42BK | PAINTED BLACK TEXTURE

50 Pack of mounting hardware included
 See Hammond Website for Additional Accessories

Français

Pour tous les détails sur nos produits, svp veuillez consulter
 notre site www.hammondmgf.com

Data subject to change without notice. Isometric drawing not to scale.
 Les données sont sujettes à changement sans préavis.

