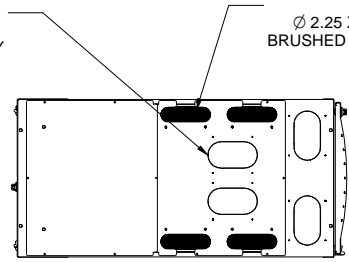
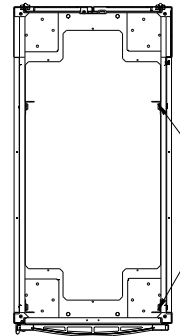


2X  
 $\varnothing$  4.00 X 7.00 INCH  
 KNOCK OUT CABLE ENTRY

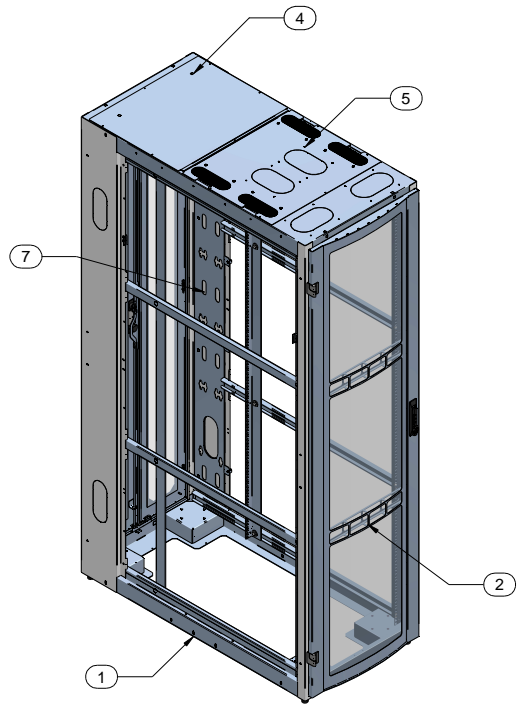
4X  
 $\varnothing$  2.25 X 7.50 INCH  
 BRUSHED CABLE ENTRY



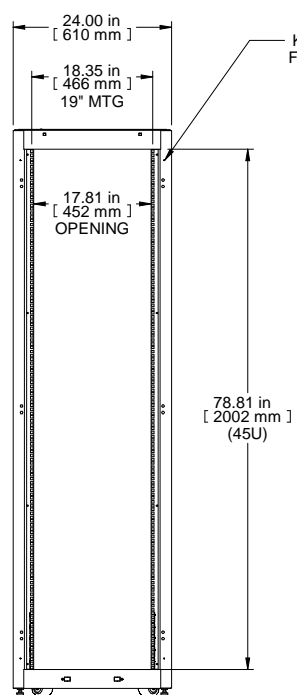
TOP



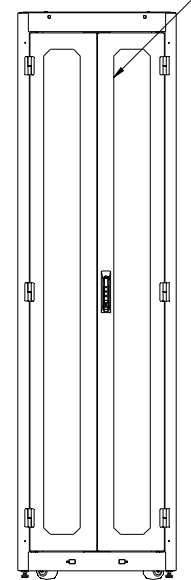
SECTION B-B



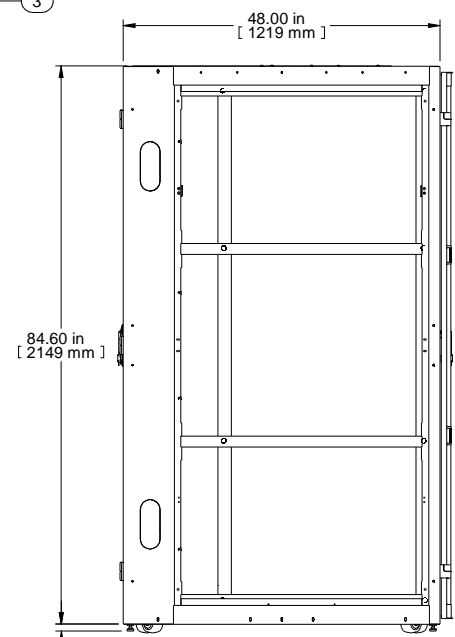
ISOMETRIC



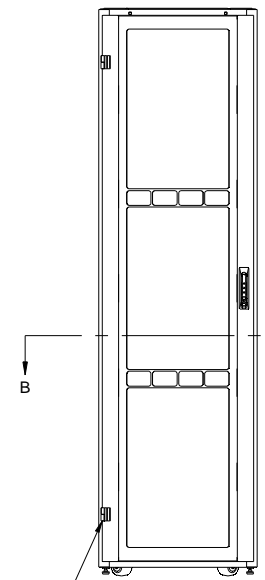
L.S. VIEW  
 DOORS REMOVED



L.S. VIEW

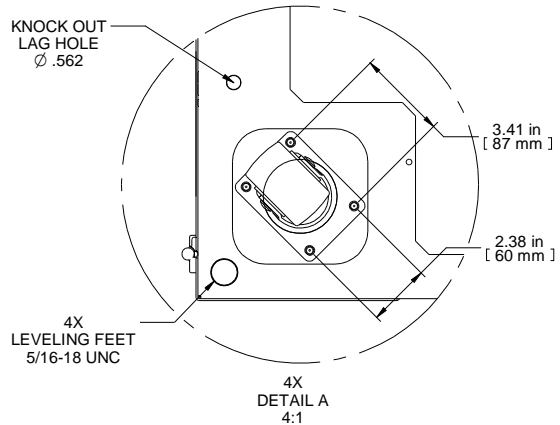


FRONT VIEW

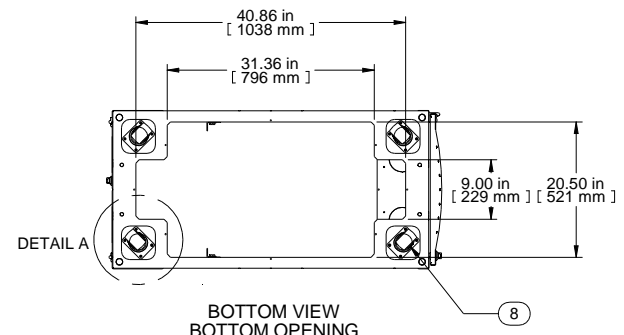


R.S. VIEW

LIFT OFF  
 HINGES



4X  
 DETAIL A  
 4:1



BOTTOM VIEW  
 BOTTOM OPENING

Item Number	Title	Quantity
1	H1 - FRAME (24WX45U48D)	1
2	H1 - CURVED DOOR VENTED (24WX45U)	1
3	H1 - SPLIT DOORS VENTED (24WX45U)	1
4	TOP PANEL - SOLID	1
5	TOP PANEL - BRUSHED CABLE ENTRY	1
6	H1 PANEL RAIL SQ HOLE (PAIR)	2
7	PDU MTG BRKT	1
8	HEAVY DUTY SWIVEL CASTER	4

**PART NUMBERS**

H12445U48BK | PAINTED BLACK TEXTURE

50 Pack of mounting hardware included  
 See Hammond Website for Additional Accessories

**Français**

Pour tous les détails sur nos produits, svp veuillez consulter notre site [www.hammondmfg.com](http://www.hammondmfg.com)

Data subject to change without notice. Isometric drawing not to scale.  
 Les données sont sujettes à changement sans préavis.

**HAMMOND MANUFACTURING**  
[www.hammondmfg.com](http://www.hammondmfg.com)  
**PART NO. H12445U48BK**