

4

3

2

1

Item	PartNo	Description	Qty
1	2016CHO	COVER, W/GASKET, 20X16	1
2	20160855	HINGE PIN, 20X16	1
3	201608BH	BASE, W/INSERTS, 20X16X08	1
4	GPCL-KIT-2PK	NON-METALLIC LATCHES - 2 PACK	1

D

D

C

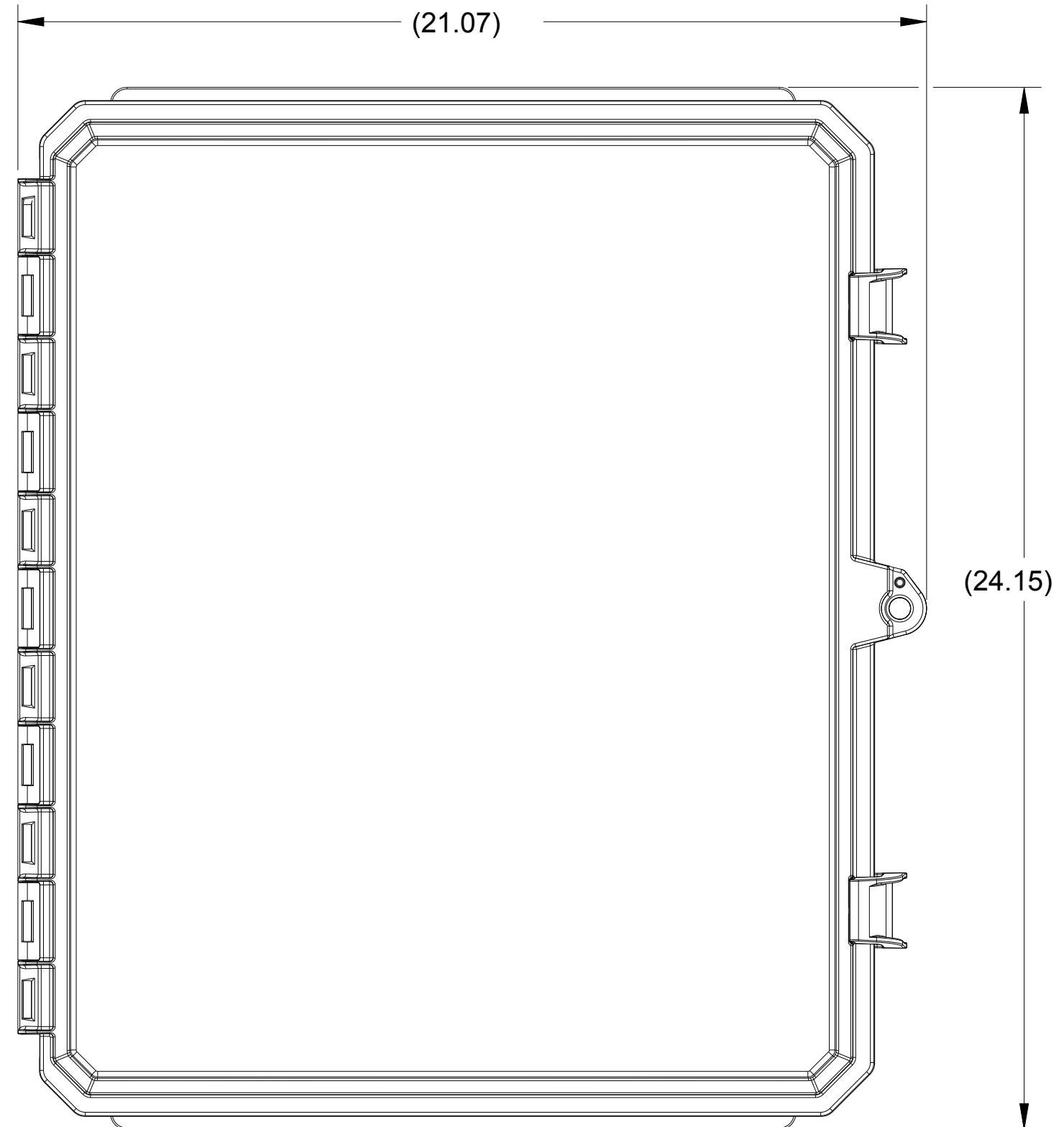
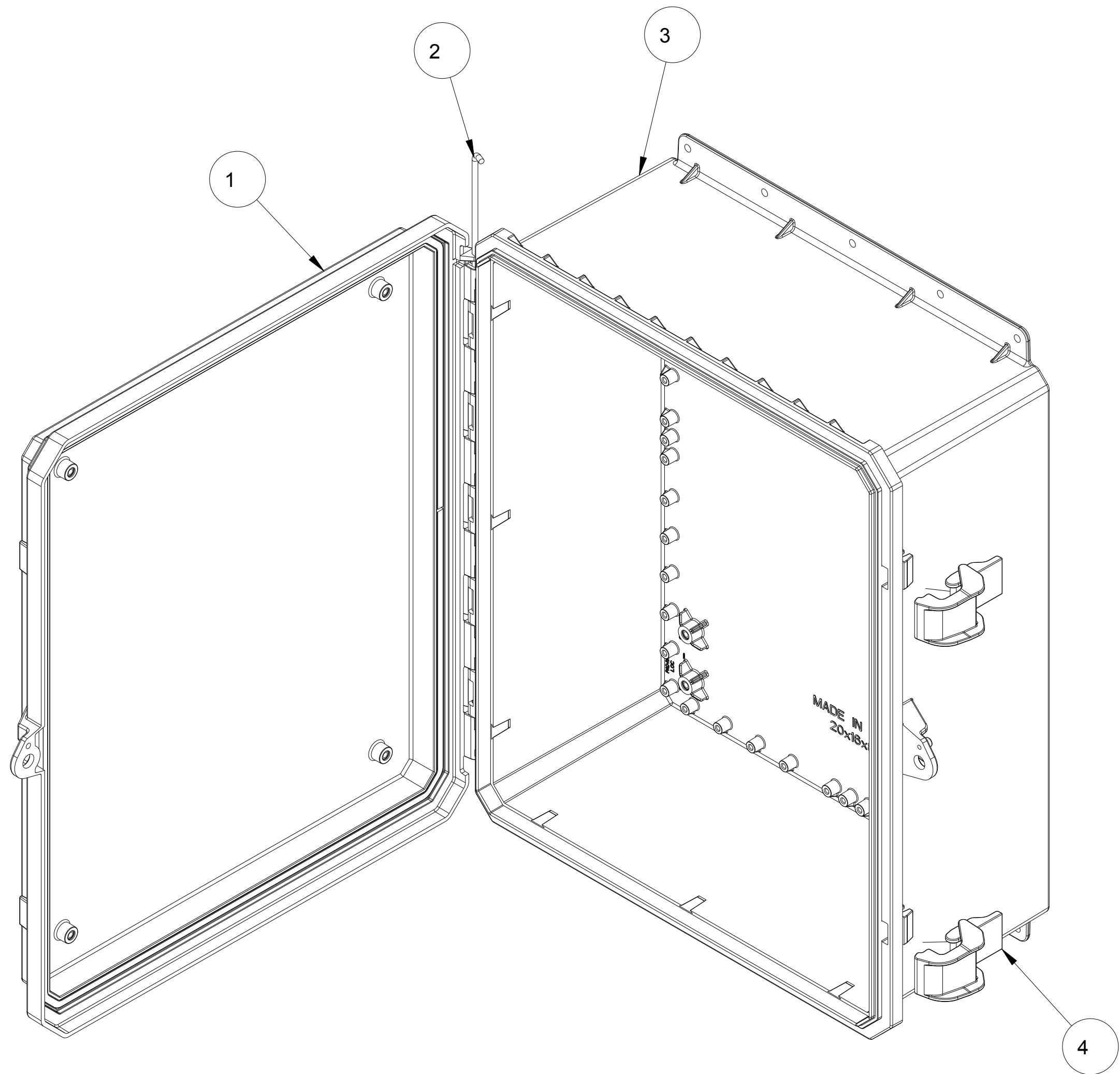
C

B

B

A

A



REV	DESCRIPTION	BY	DATE	ECN NO.	APPROVED BY
A	INITIAL RELEASE TO PRODUCTION	W.T.	03-28-2016		

DEFAULT TOLERANCES DECIMAL .XX ± 0.03 .XXX ± 0.010 FRACTIONAL ± 1/16 ANGULAR ± 5°		SCALE <b>0.313</b>	SHEET <b>1 of 1</b>	DRAWN BY <b>W.TIDWELL</b>	MUM INDUSTRIES 7750 TYLER BLVD MENTOR, OHIO, U.S.A. (440) 269-8155 FAX (440) 269-8166
TITLE <b>GENESIS 20X16X08E ENCLOSURE ASSY</b>			DATE <b>03.28.16</b>		DRAWING NUMBER <b>G201608E</b>
					REV

4

3

2

1