



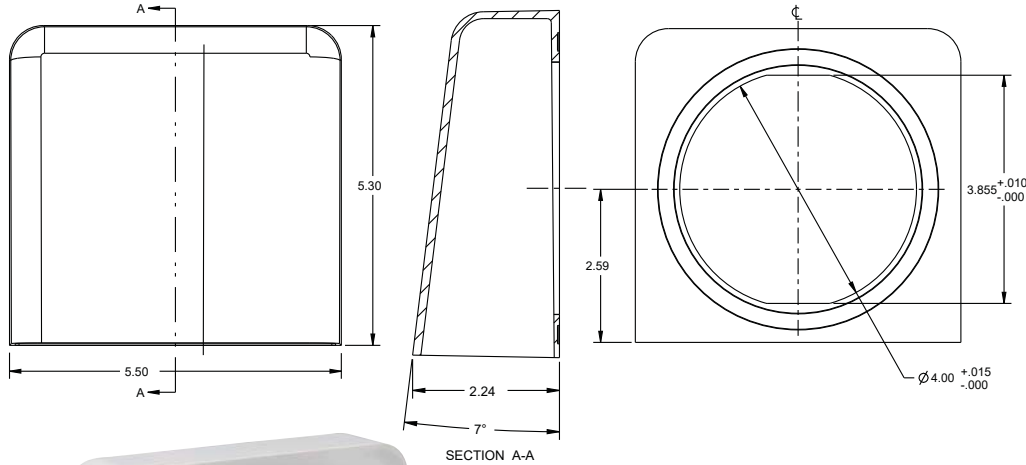
## FAN SHROUD AND VENT FILTER KITS

### FAN SHROUD VENT FILTER

### PART NUMBERS

**FSFK-1** (contains 1 shroud with filter and gasket)

**FSFK-2** (contains 2 shrouds with filter and gasket)



### FILTER APPLICATION

Our Fan Shroud and Fan Shroud Vent Filter Kits are designed to keep the elements out of your enclosure while allowing the free air movement from your filtered fan packages.

### INSTALLATION

Shrouds are sized to fit neatly over your openings and fans.

### SPECIFICS

- Polycarbonate
- Maintains NEMA Type 3R
- Include Gaskets On All Three Edges
- Kits Include All Mounting Hardware & Template



### FAN SHROUD

### PART NUMBERS

**FS KIT-1** (contains 1 shroud and gasket and 8 screws)

**FS KIT-2** (contains 2 shrouds and gaskets and 16 screws)

