

AR12106CHSSLT



Sample image

Order symbol : AR12106CHSSLT

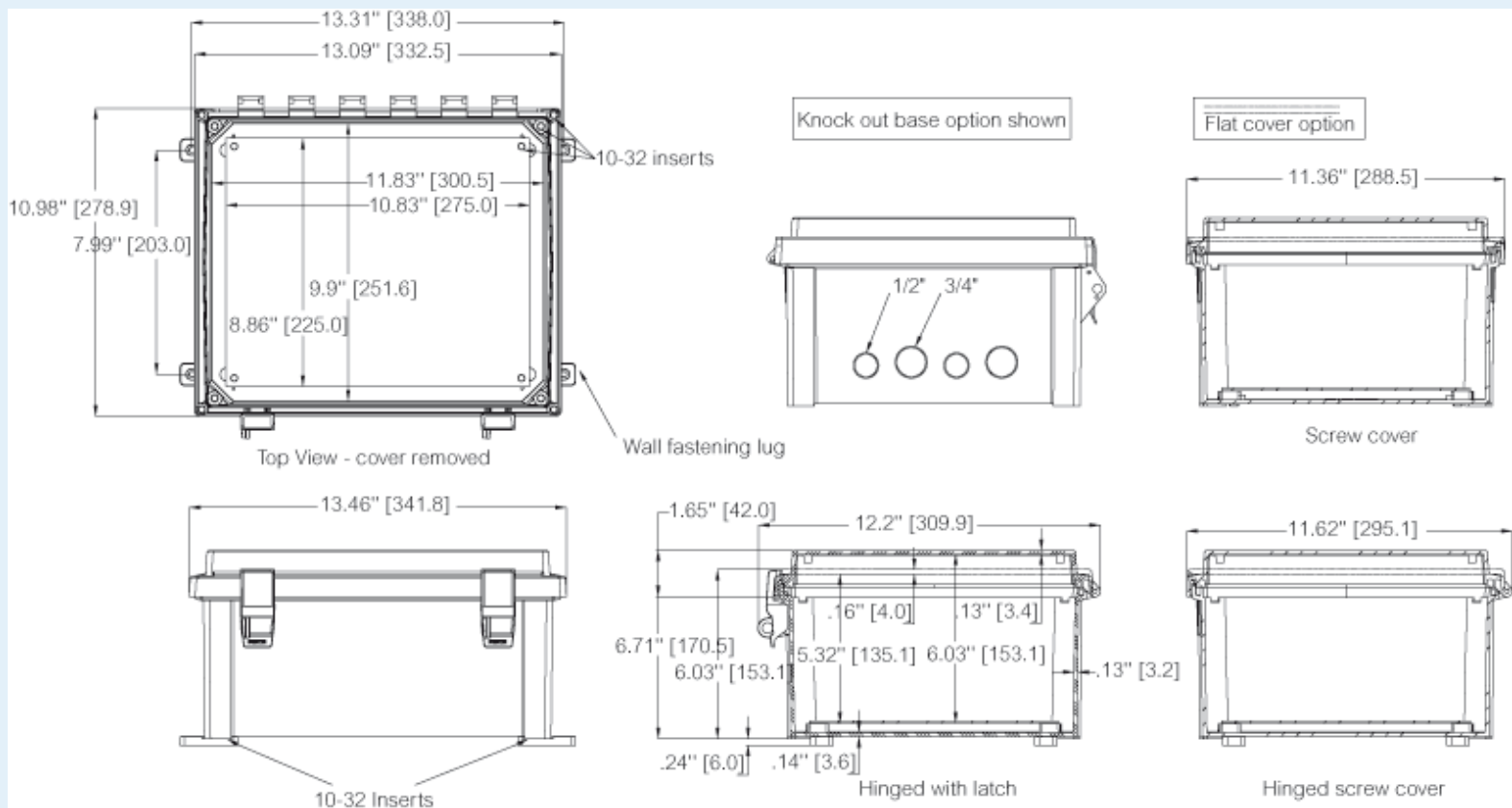
EAN : 6418074066800

Product nr : 8561039

Description : PC Enclosure

Remarks : Hinged transparent cover w/S.S. Lockable latch

Including : Hinged cover. Base with 10-32 brass inserts, latched cover with formed in place PUR gasket, stainless hinge pin. Quick release latches. Enclosure mounting foot kit. Accessory 10-32 screws for panel mounting.



Dimensions : **Height** **Width** **Depth**

Accessories :

- ASPHK12 Swing Panel Kit w/o Panel
- ALBP1210 Aluminum Back Panel

Materials :

| | |
|-------------------|----------------------|
| Material : | Polycarbonate |
| Base colour : | RAL_7035 |
| Cover colour : | RAL 7035 -light grey |
| Gasket material : | Polyurethane |

| | |
|----------|-----------------------------|
| ASP1210 | Aluminum Swing Panel |
| ASPK1210 | Swing Panel Kit incl. Panel |
| ADFP1210 | Dead Front Panel w/ screws |
| APBP1210 | PVC Back Panel |
| AMFL10 | 10" Mounting Flange Set |
| ABP1210 | Painted Steel Back Panel |

Temperatures :

| | |
|-------------------------------|-------------|
| Temperature °C (short term) : | -40 ... 140 |
| Temperature °C (continuous) : | -40 ... 80 |
| Temperature °F (short term) : | -40 ... 250 |
| Temperature °F (continuous) : | -40 ... 175 |

Ratings :

| | |
|---|-----------------------|
| Ingress protection (EN 60529): | IP66; IP67; |
| Impact Resistance (EN 62262): | IK09; |
| electrical_insulation : | Totally insulated |
| Halogen free (DIN/VDE 0472, Part 815) : | Yes |
| UV resistance : | UL 508 |
| Flammability Rating : | UL 508 |
| Glow Wire Test (IEC 695-2-1) °C : | 960C |
| NEMA Class | NEMA__4_4X_6_6P_12_13 |

Certificates :

ARCA_CertificateofCompliance