

AR865CHSSL



Sample image

Order symbol : AR865CHSSL

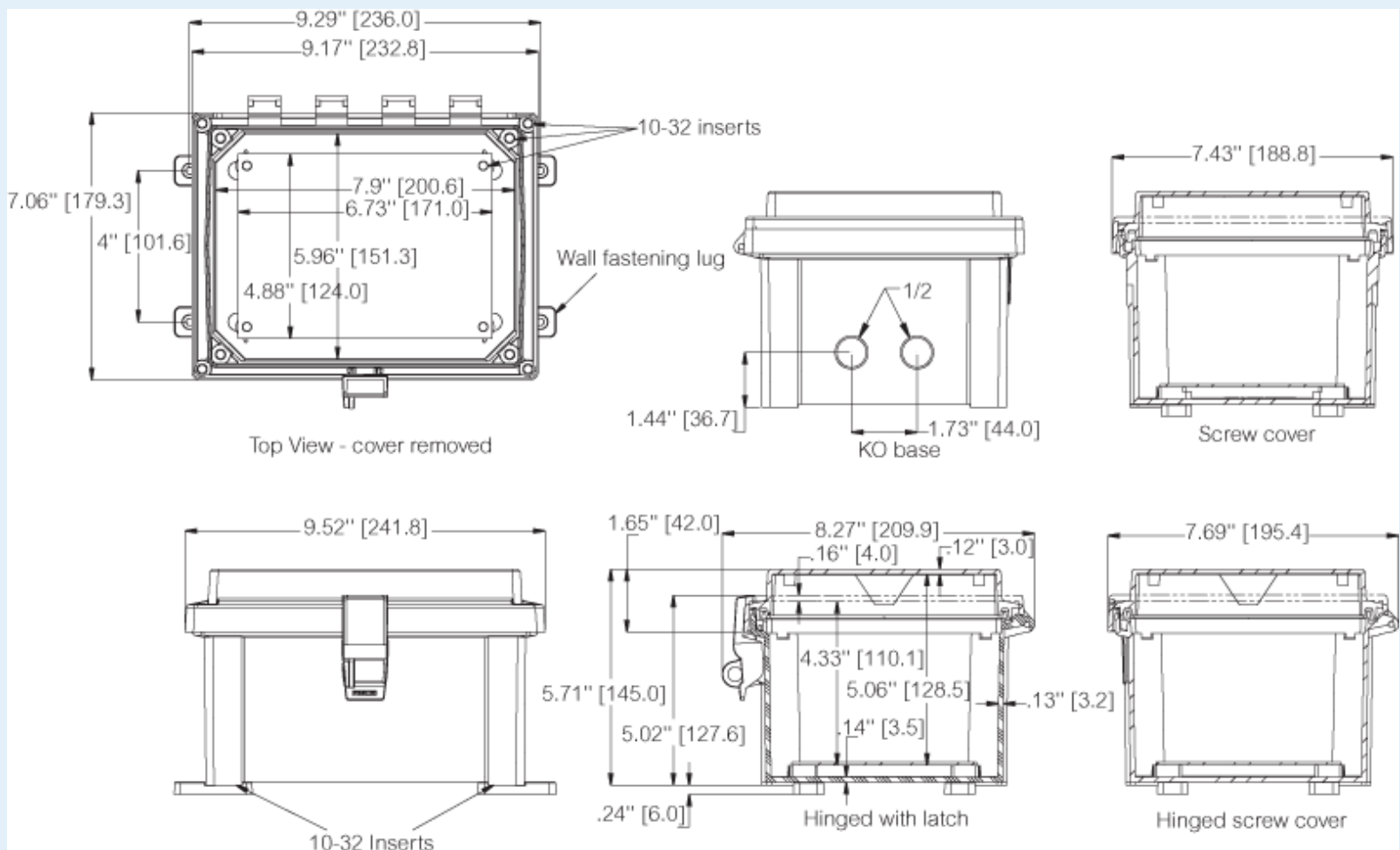
EAN : 6418074066695

Product nr : 8561027

Description : PC Enclosure

Remarks : Hinged opaque cover w/S.S. Lockable latch

Including : Hinged cover. Base with 10-32 brass inserts, latched cover with formed in place PUR gasket, stainless hinge pin. Quick release latches. Enclosure mounting foot kit. Accessory 10-32 screws for panel mounting.



Dimensions : **Height** **Width** **Depth**

Materials :

Material : Polycarbonate
Base colour : RAL_7035
Cover colour : RAL 7035 -light grey
Gasket material : Polyurethane

Temperatures :

Temperature °C (short term) : -40 ... 140
Temperature °C (continuous) : -40 ... 80
Temperature °F (short term) : -40 ... 250
Temperature °F (continuous) : -40 ... 175

Accessories :

AMFL6 6" Mounting Flange Set
ASP86 Aluminum Swing Panel
ASPK86 Swing Panel Kit incl. Panel
APBP86 PVC Back Panel
ASPHK8 Swing Panel Kit w/o Panel
ABP86 Painted Steel Back Panel
ALBP86 Aluminum Back Panel
ADFP86 Dead Front Panel w/ screws

Ratings :

Ingress protection (EN 60529): IP66; IP67;
Impact Resistance (EN 62262): IK09;
electrical_insulation : Totally insulated
Halogen free (DIN/VDE 0472, Part 815) : Yes
UV resistance : UL 508
Flammability Rating : UL 508
Glow Wire Test (IEC 695-2-1) °C : 960C
NEMA Class NEMA__4_4X_6_6P_12_13

Certificates :

ARCA_CertificateofCompliance