

AR14127CHSC



Sample image

Order symbol : AR14127CHSC

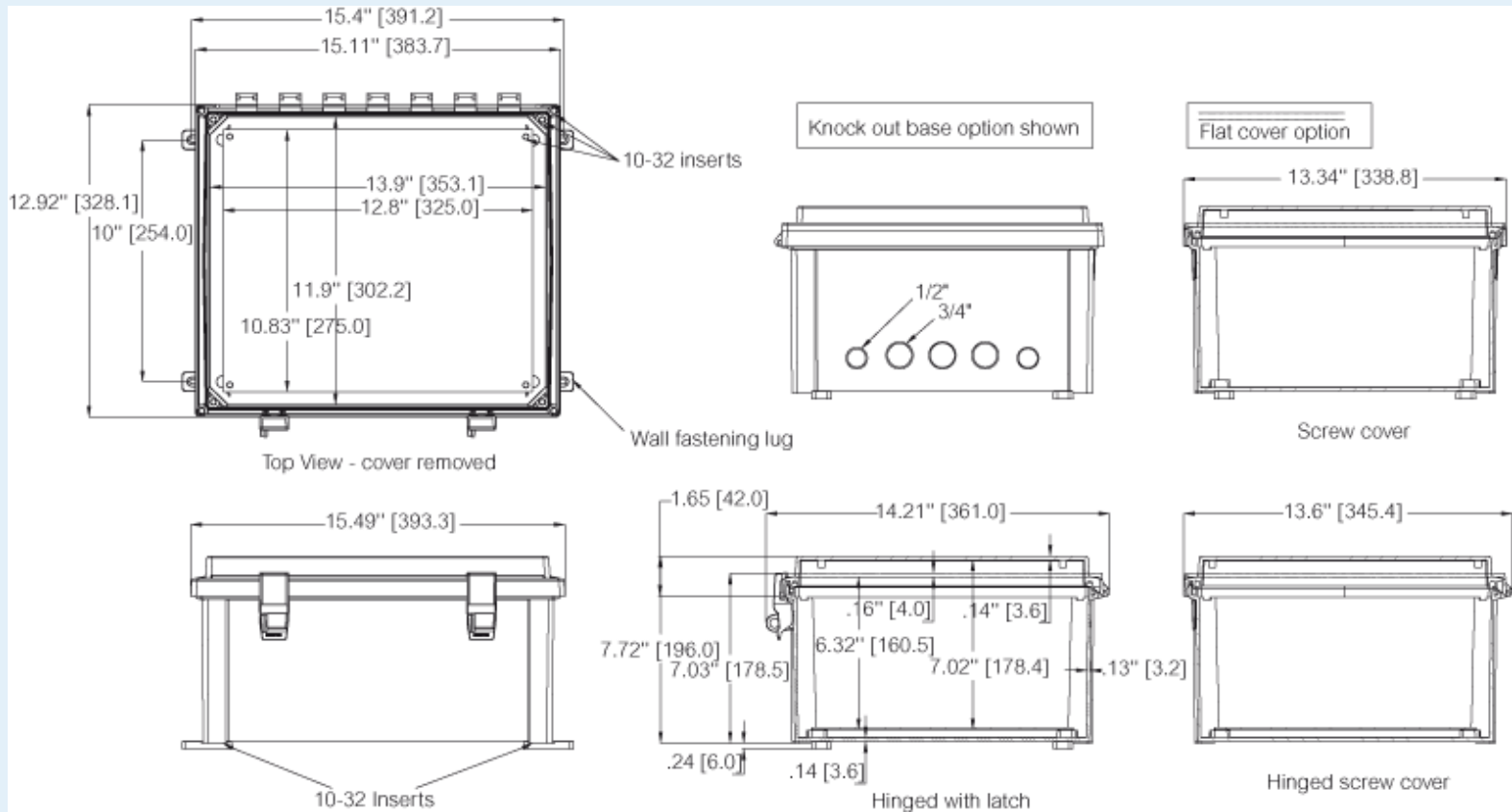
EAN : 6418074066619

Product nr : 8561010

Description : PC Enclosure

Remarks : Hinged opaque screw cover

Including : Hinged screw cover. Base with 10-32 brass inserts, cover with formed in place PUR gasket, stainless hinge pin and 2 cover screws. Enclosure mounting foot kit. Accessory 10-32 screws for panel mounting.



Dimensions : **Height** **Width** **Depth**

Accessories :

- ABP1412 Painted Steel Back Panel
- ASP1412 Aluminum Swing Panel

Materials :

| | |
|-------------------|----------------------|
| Material : | Polycarbonate |
| Base colour : | RAL_7035 |
| Cover colour : | RAL 7035 -light grey |
| Gasket material : | Polyurethane |

| | |
|----------|-----------------------------|
| ASPHK14 | Swing Panel Kit w/o Panel |
| AMFL12 | 12" Mounting Flange Set |
| ADFP1412 | Dead Front Panel w/ screws |
| ALBP1412 | Aluminum Back Panel |
| APBP1412 | PVC Back Panel |
| ASPK1412 | Swing Panel Kit incl. Panel |

Temperatures :

| | |
|-------------------------------|-------------|
| Temperature °C (short term) : | -40 ... 140 |
| Temperature °C (continuous) : | -40 ... 80 |
| Temperature °F (short term) : | -40 ... 250 |
| Temperature °F (continuous) : | -40 ... 175 |

Ratings :

| | |
|---|-----------------------|
| Ingress protection (EN 60529): | IP66; IP67; |
| Impact Resistance (EN 62262): | IK09; |
| electrical_insulation : | Totally insulated |
| Halogen free (DIN/VDE 0472, Part 815) : | Yes |
| UV resistance : | UL 508 |
| Flammability Rating : | UL 508 |
| Glow Wire Test (IEC 695-2-1) °C : | 960C |
| NEMA Class | NEMA__4_4X_6_6P_12_13 |

Certificates :

ARCA_CertificateofCompliance