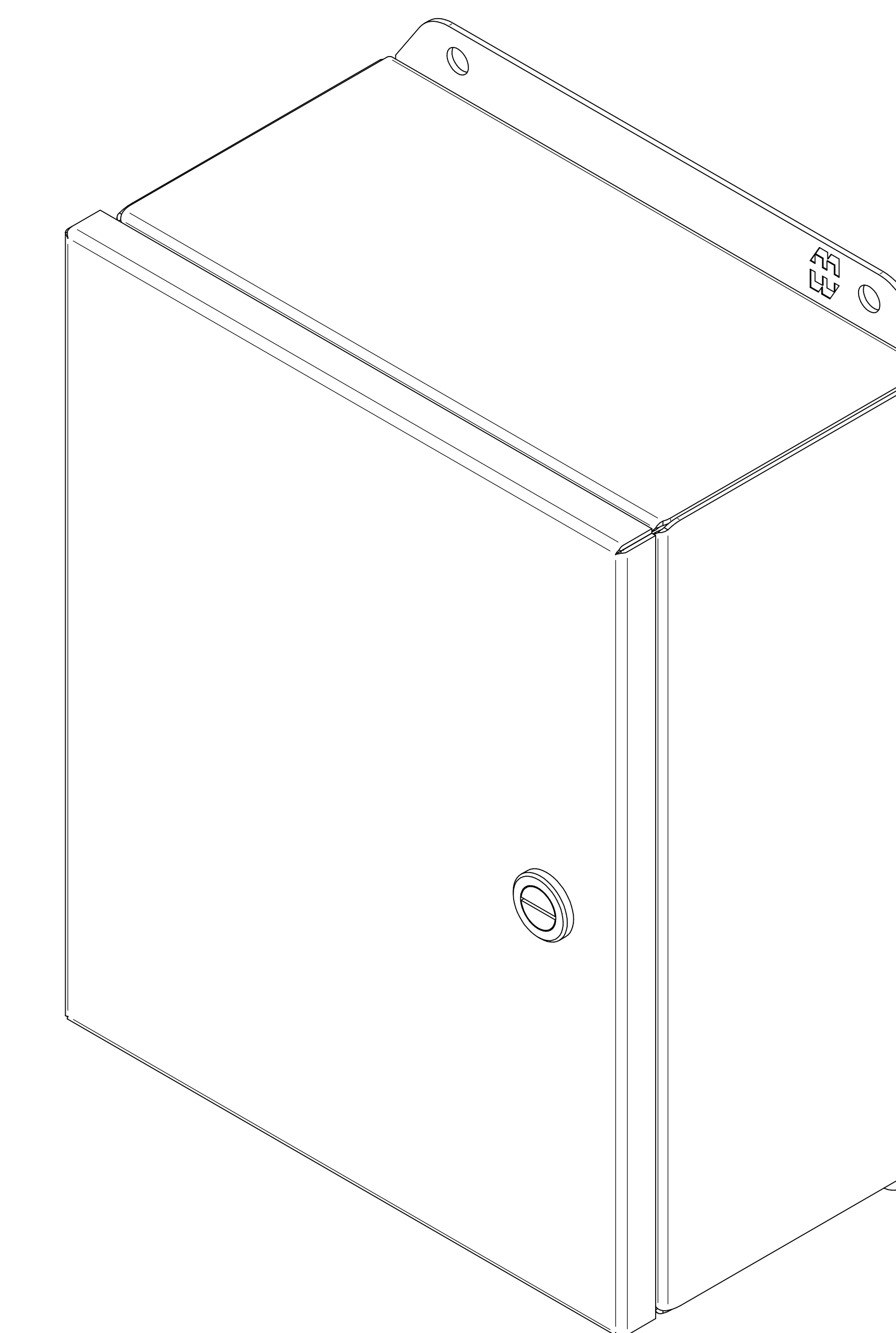
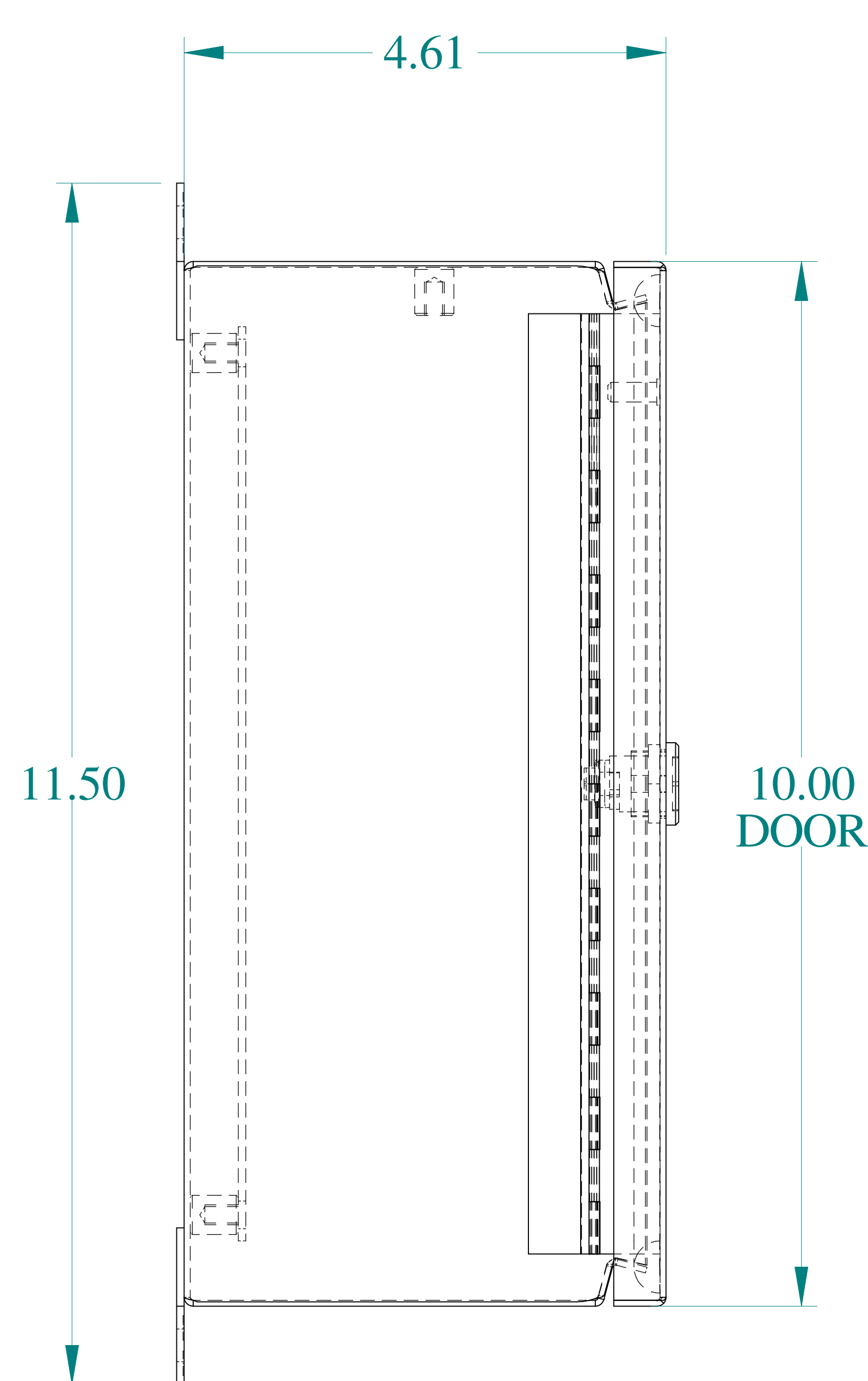


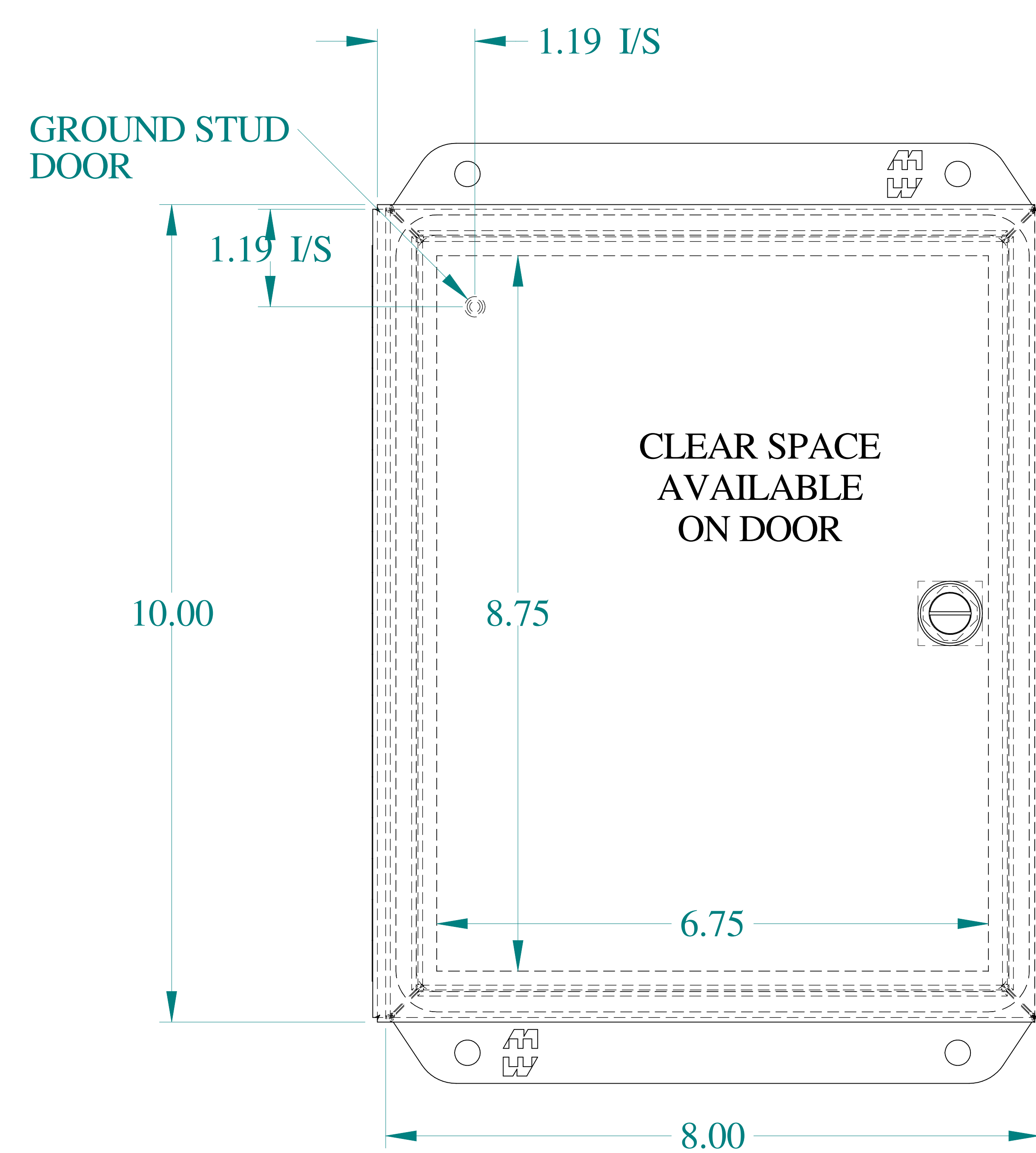
TOP VIEW



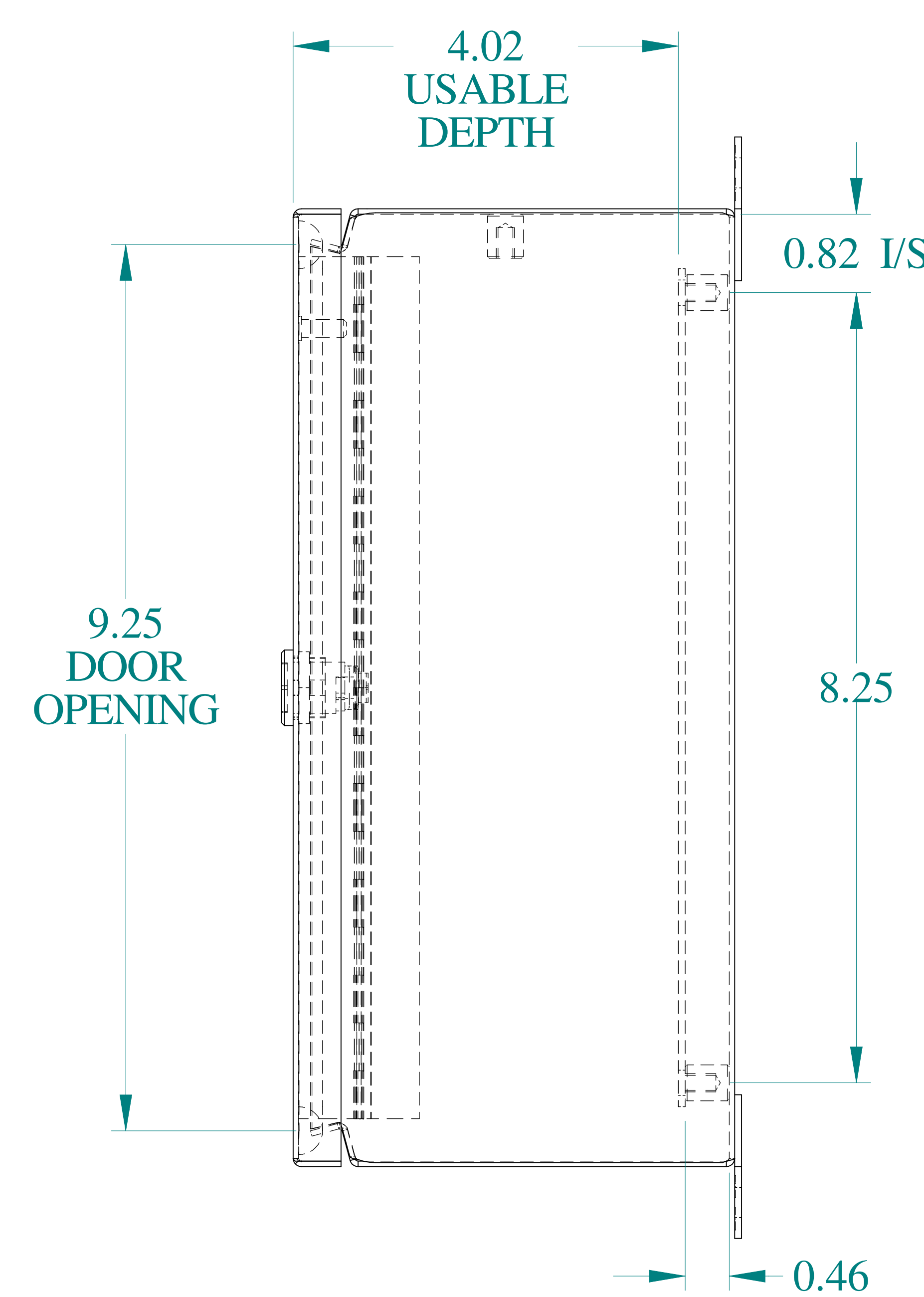
ISOMETRIC VIEWS



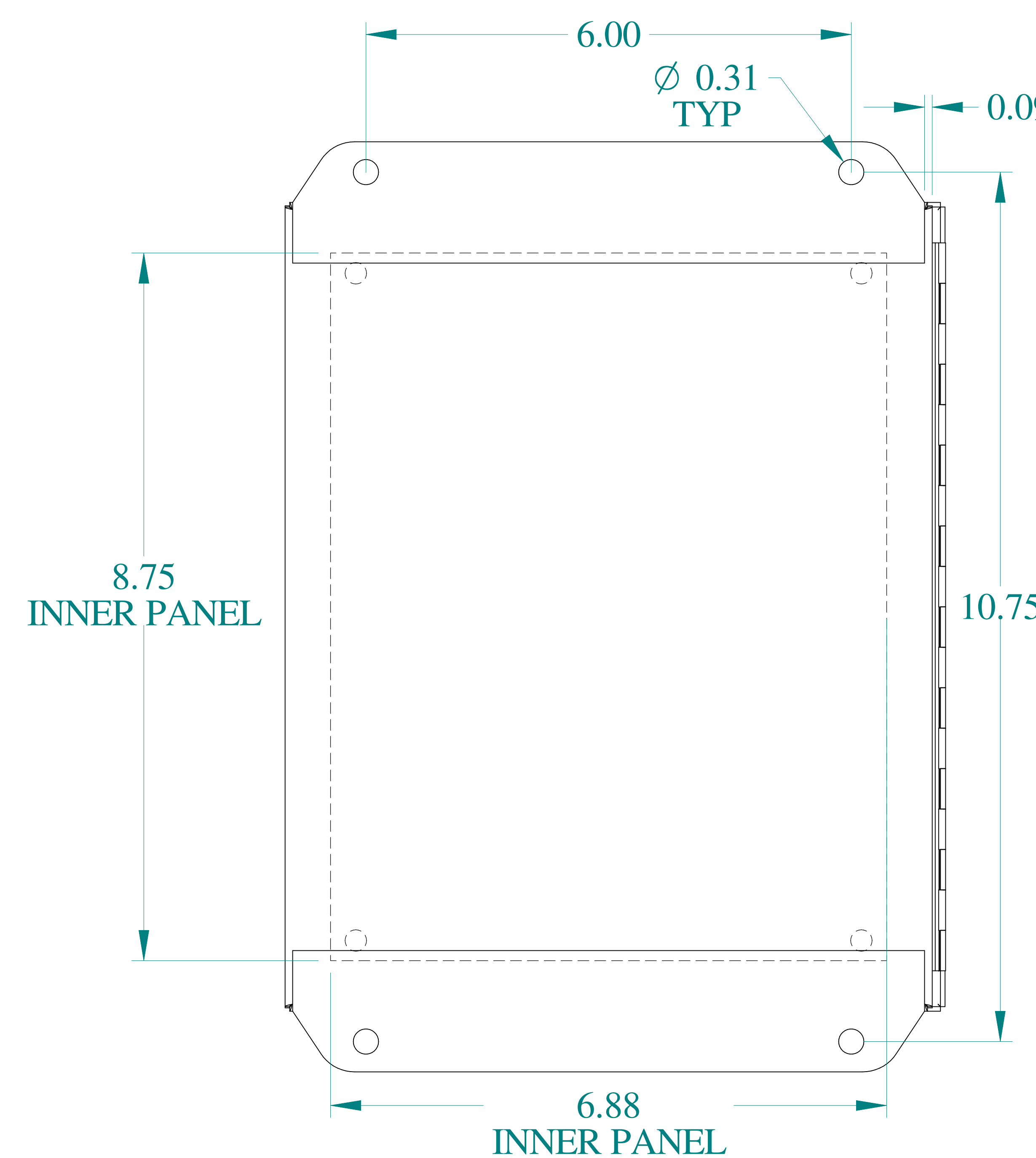
SIDE VIEW



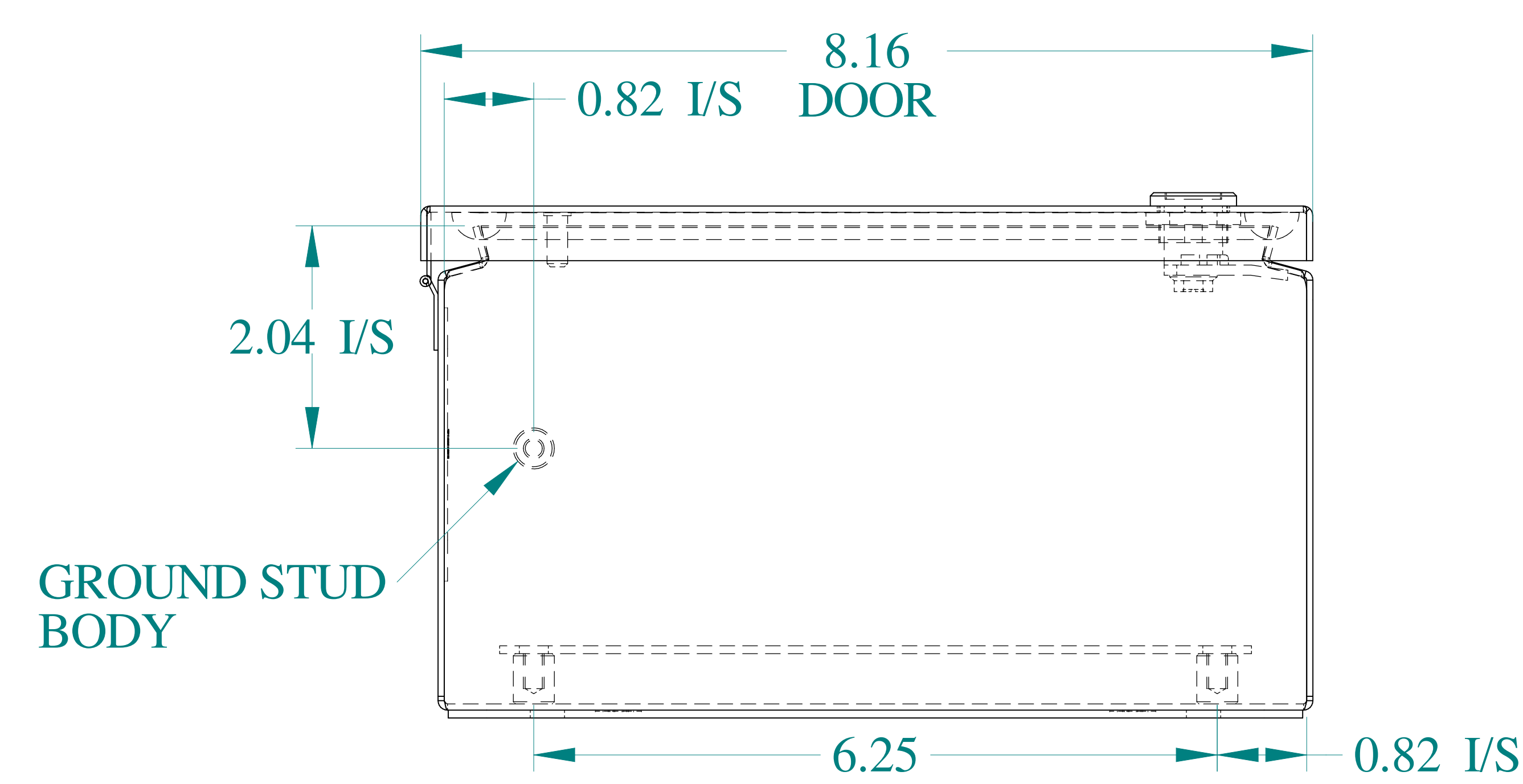
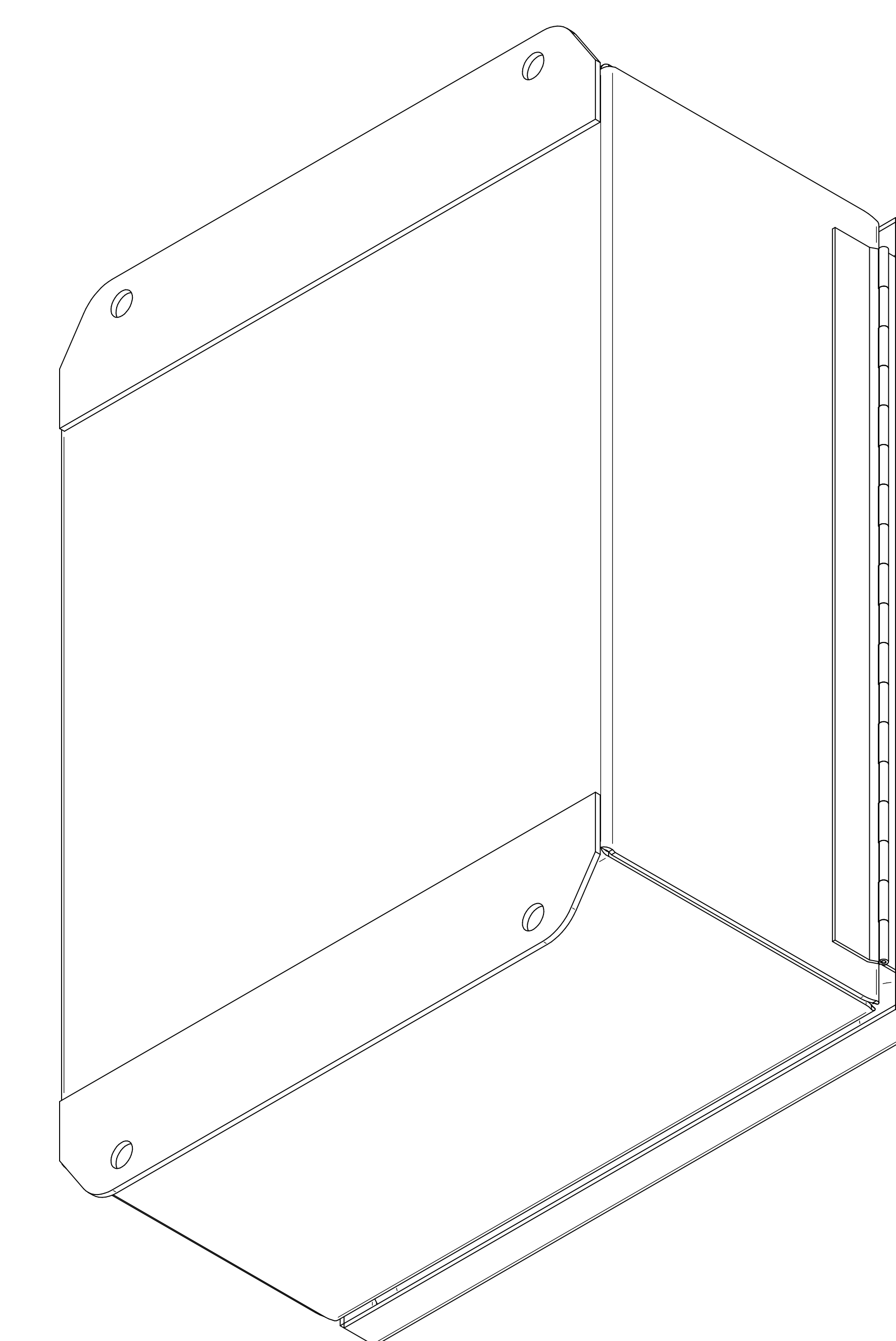
FRONT VIEW



SIDE VIEW



BACK VIEW



BOTTOM VIEW



**HAMMOND  
MANUFACTURING®**

[www.hammondmfg.com](http://www.hammondmfg.com)

Data subject to change without notice.

Part # : EJ1084

Date : Oct. 30, 2018

[Link: www.hammondmfg.com/EJ1084](http://www.hammondmfg.com/EJ1084)