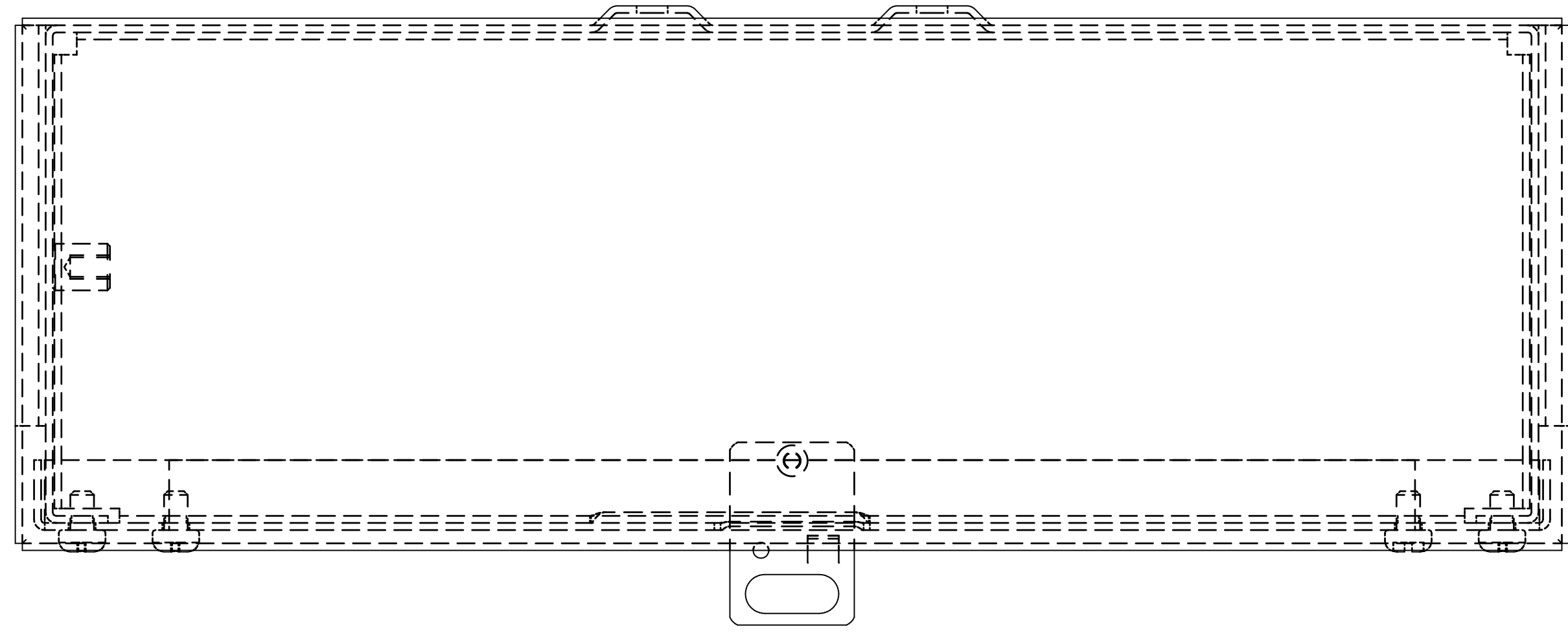


PART No. C3R12124SCNKO

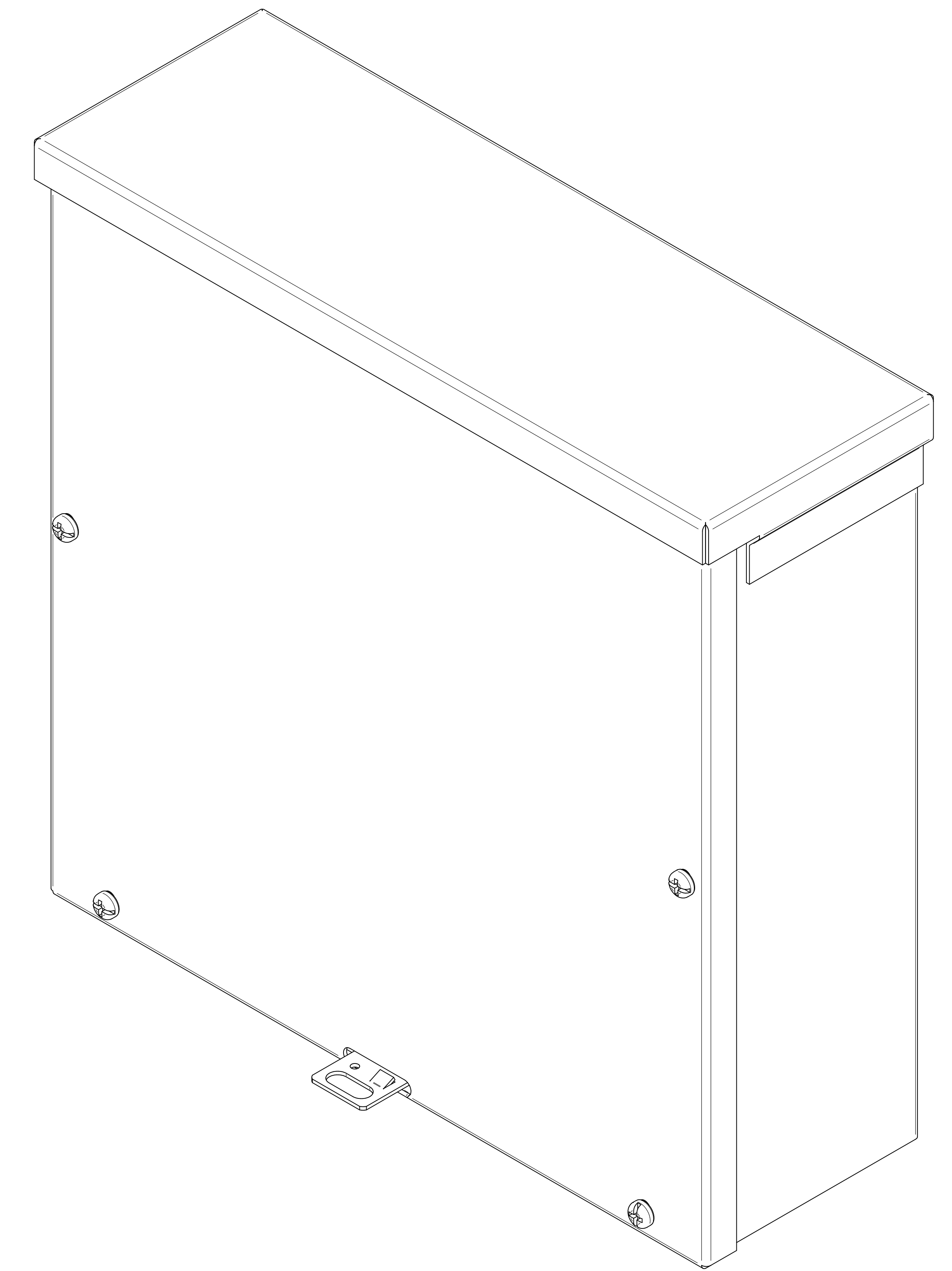
for more information visit
www.hammondmfg.com

Data subject to change without notice

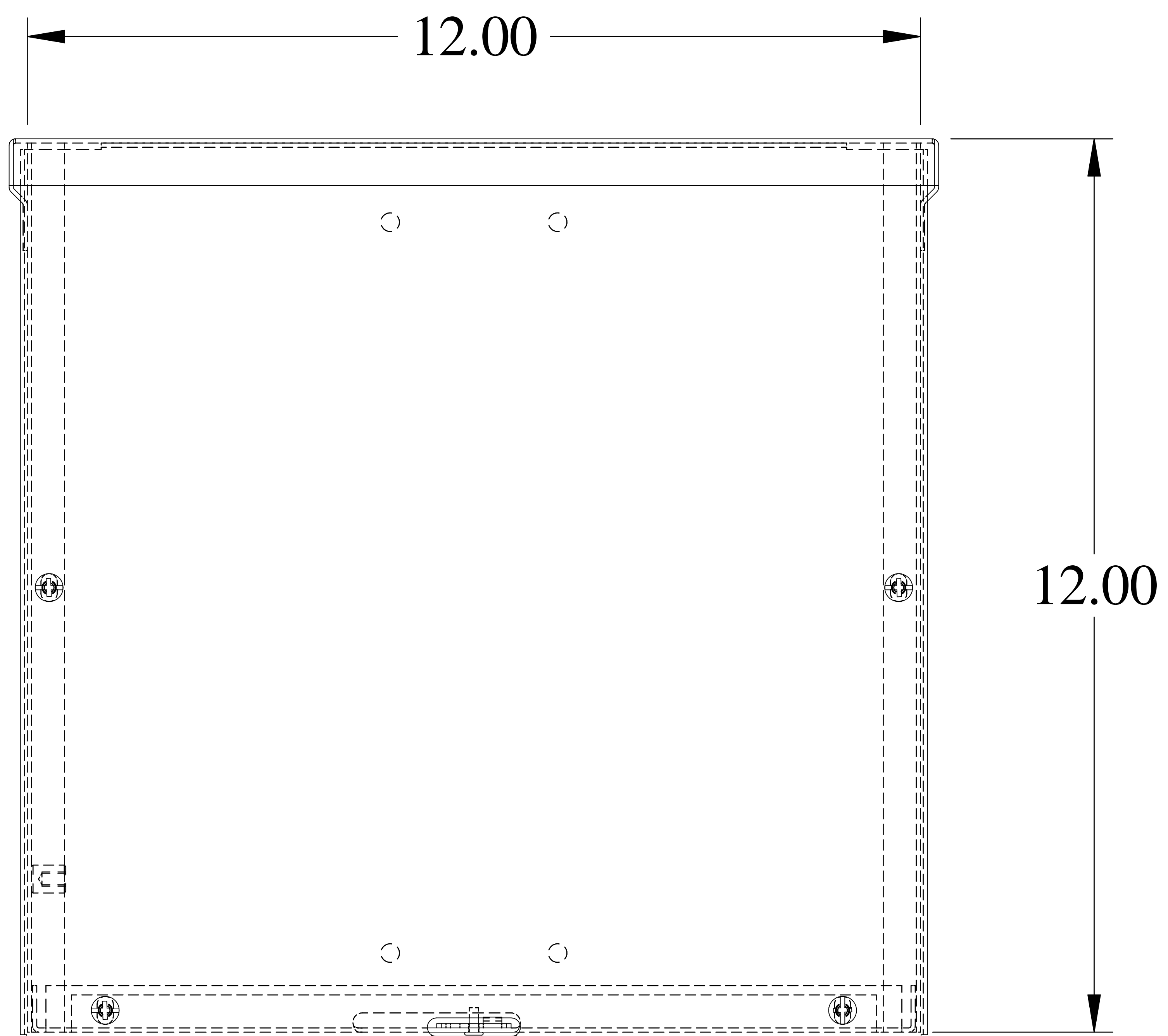
Isometric drawing Not to Scale



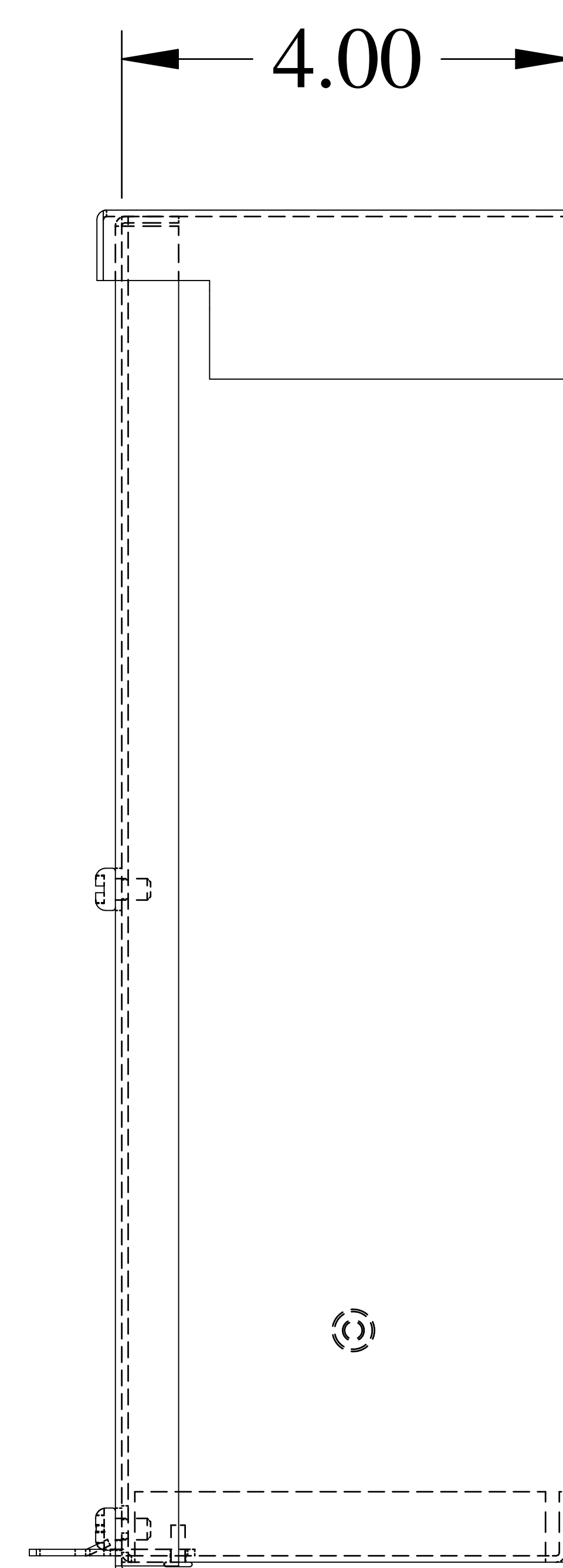
TOP VIEW



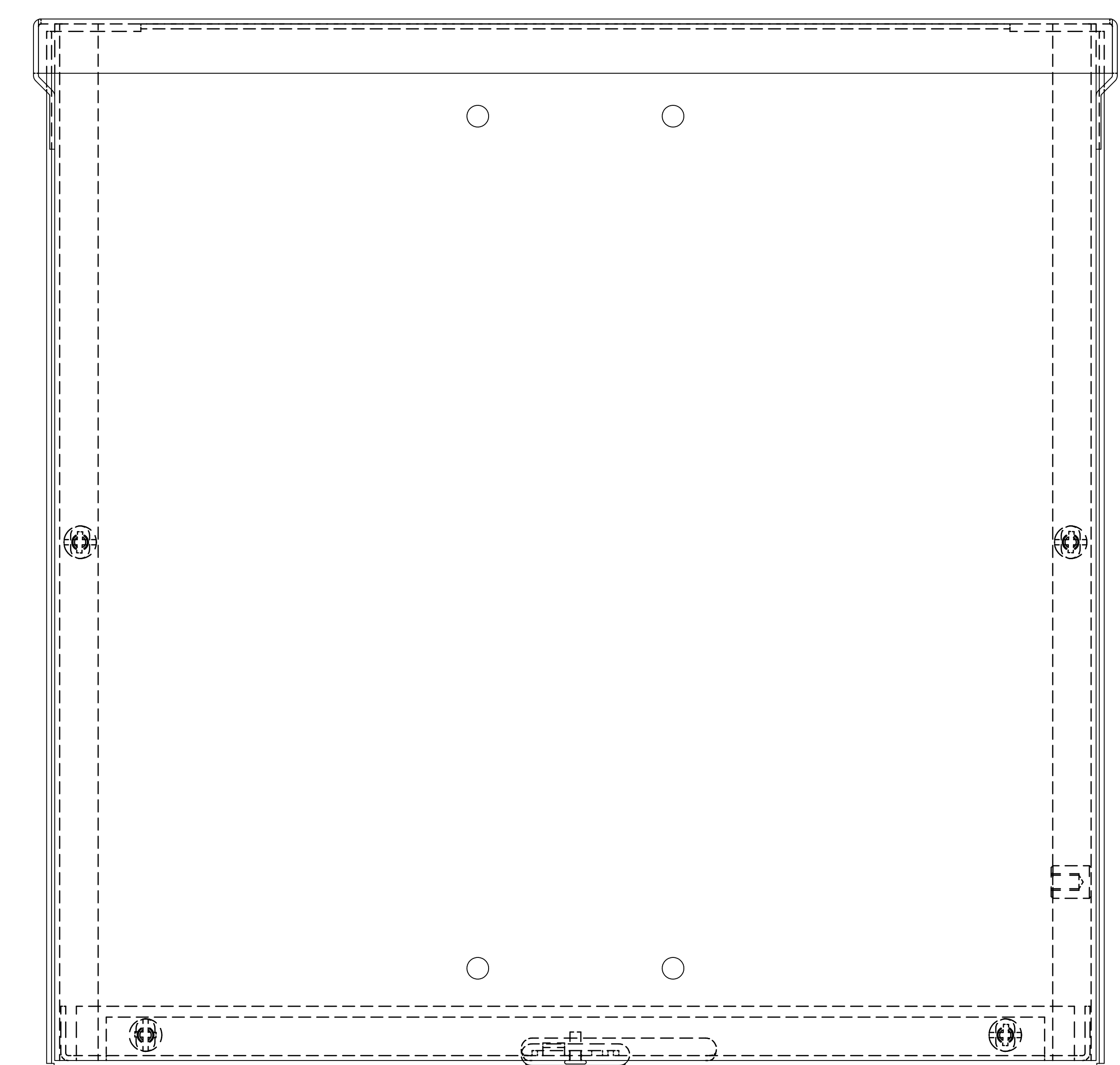
ISOMETRIC VIEW



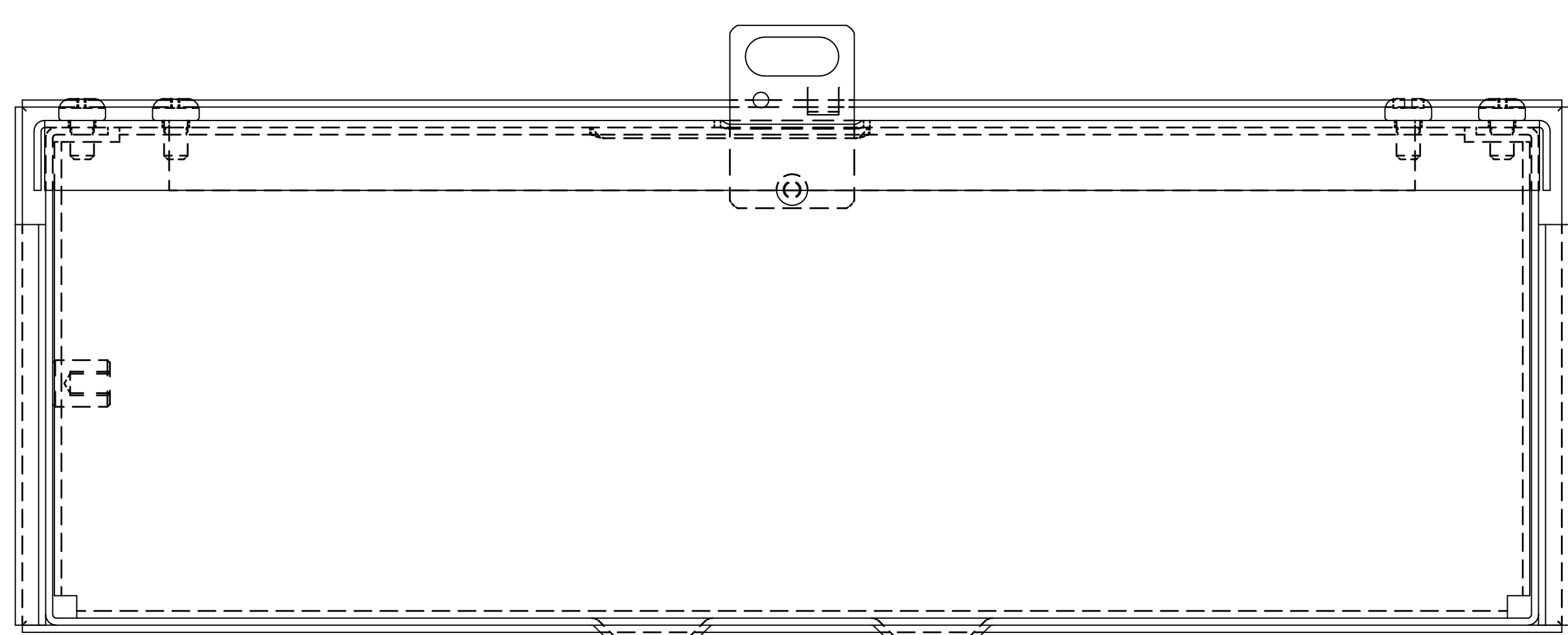
FRONT VIEW



SIDE VIEW



BACK VIEW



BOTTOM VIEW