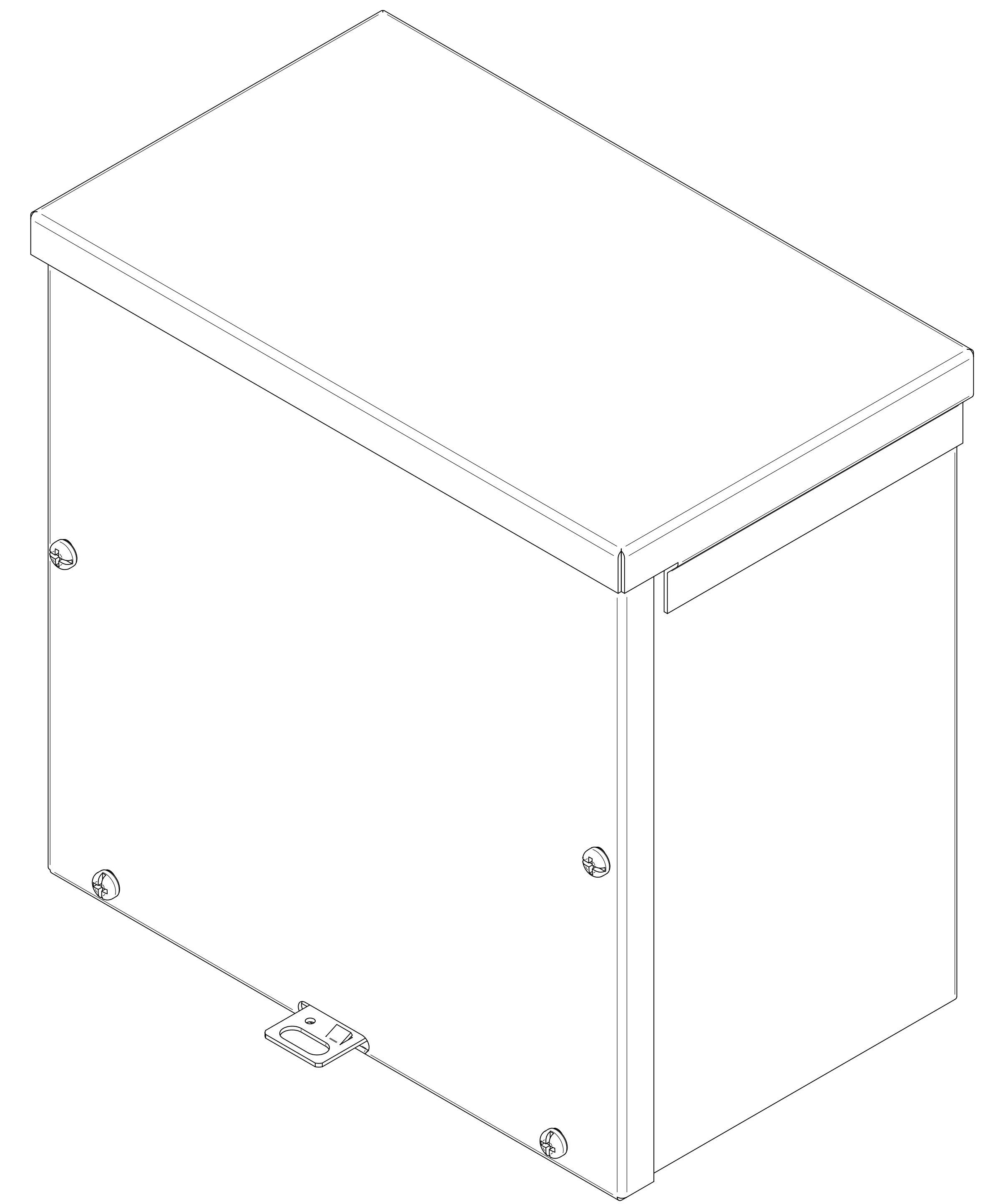


**PART No. C3R10106SCNKO**

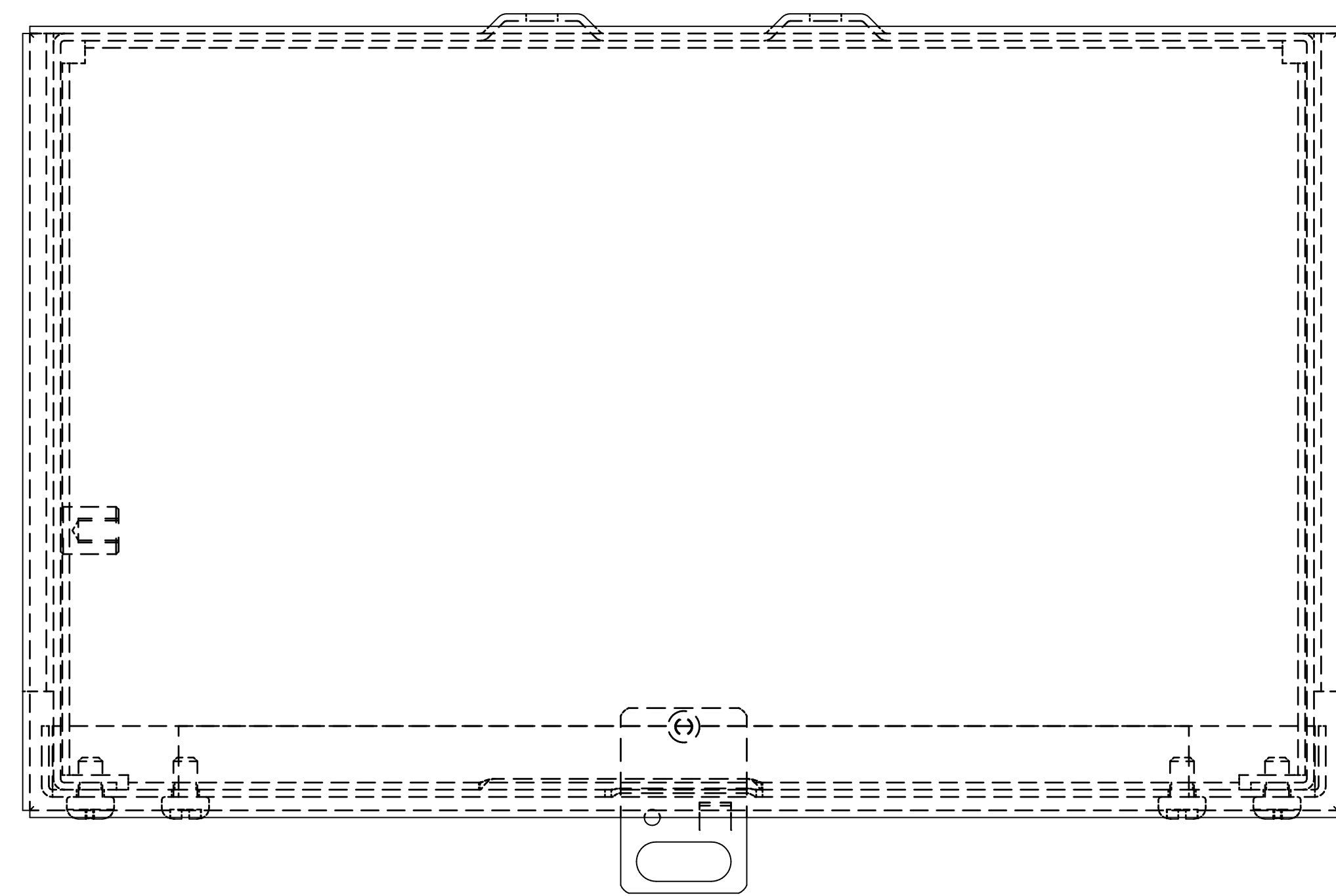
for more information visit  
[www.hammondmfg.com](http://www.hammondmfg.com)

Data subject to change without notice

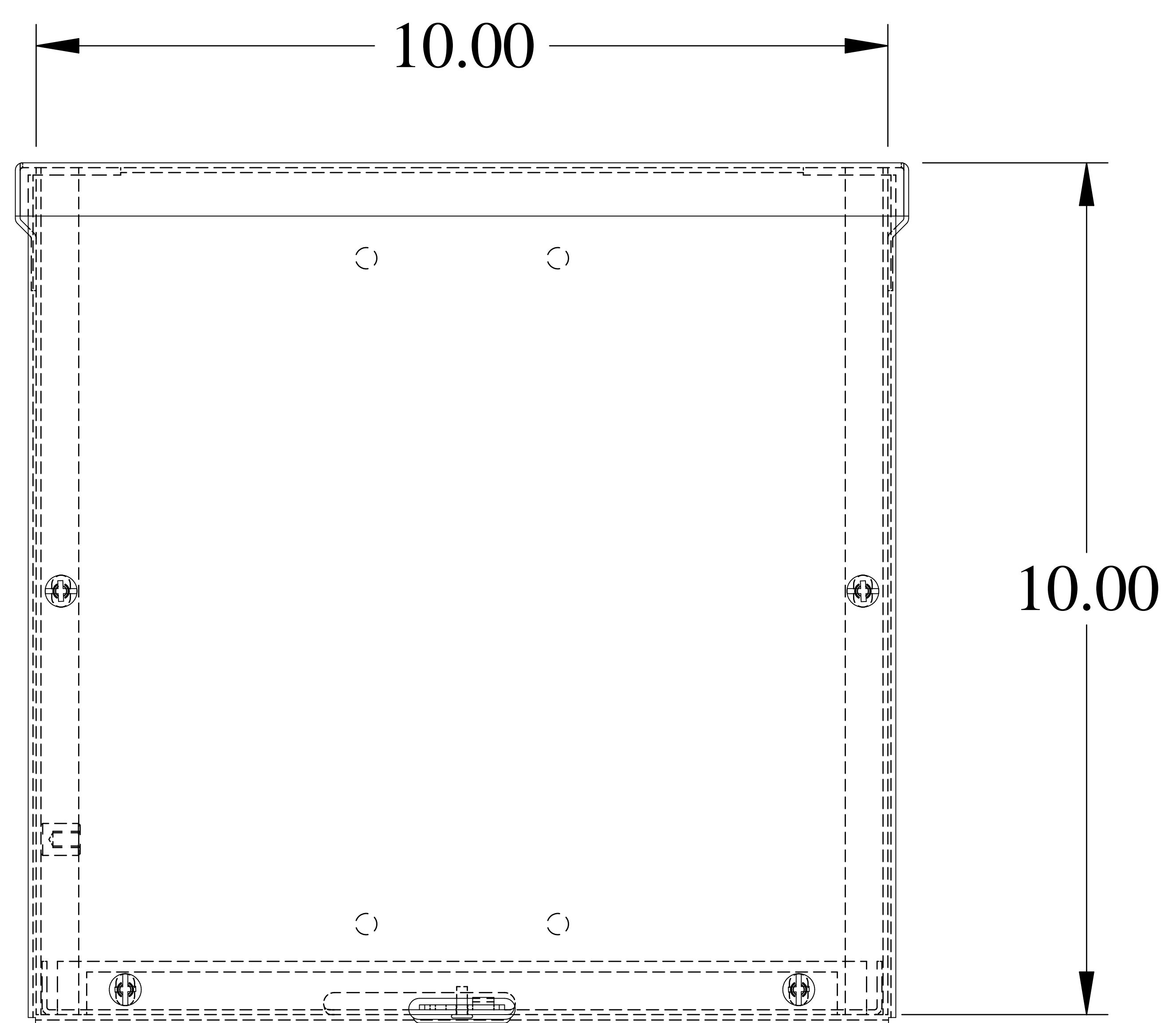
Isometric drawing Not to Scale



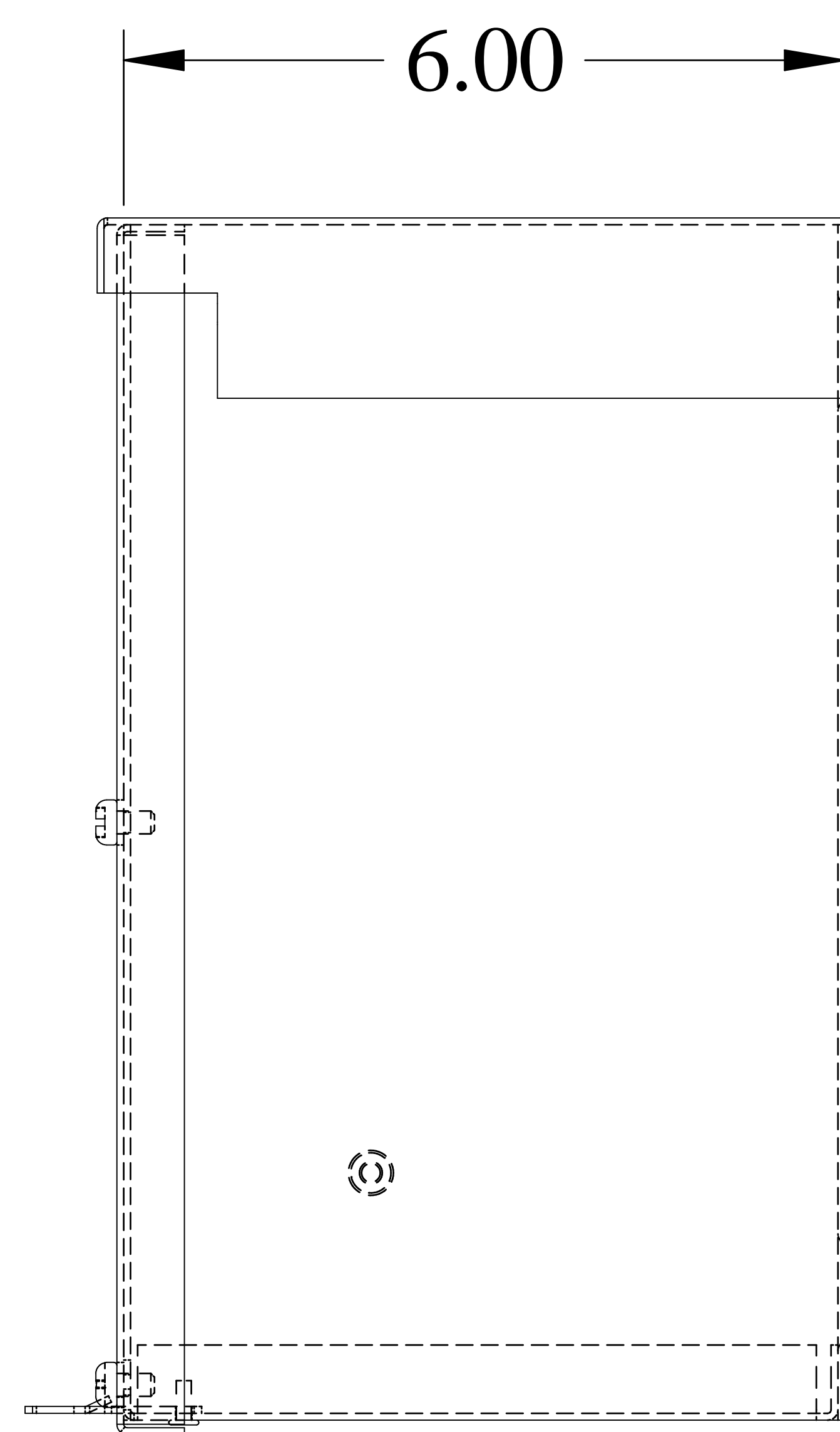
**ISOMETRIC VIEW**



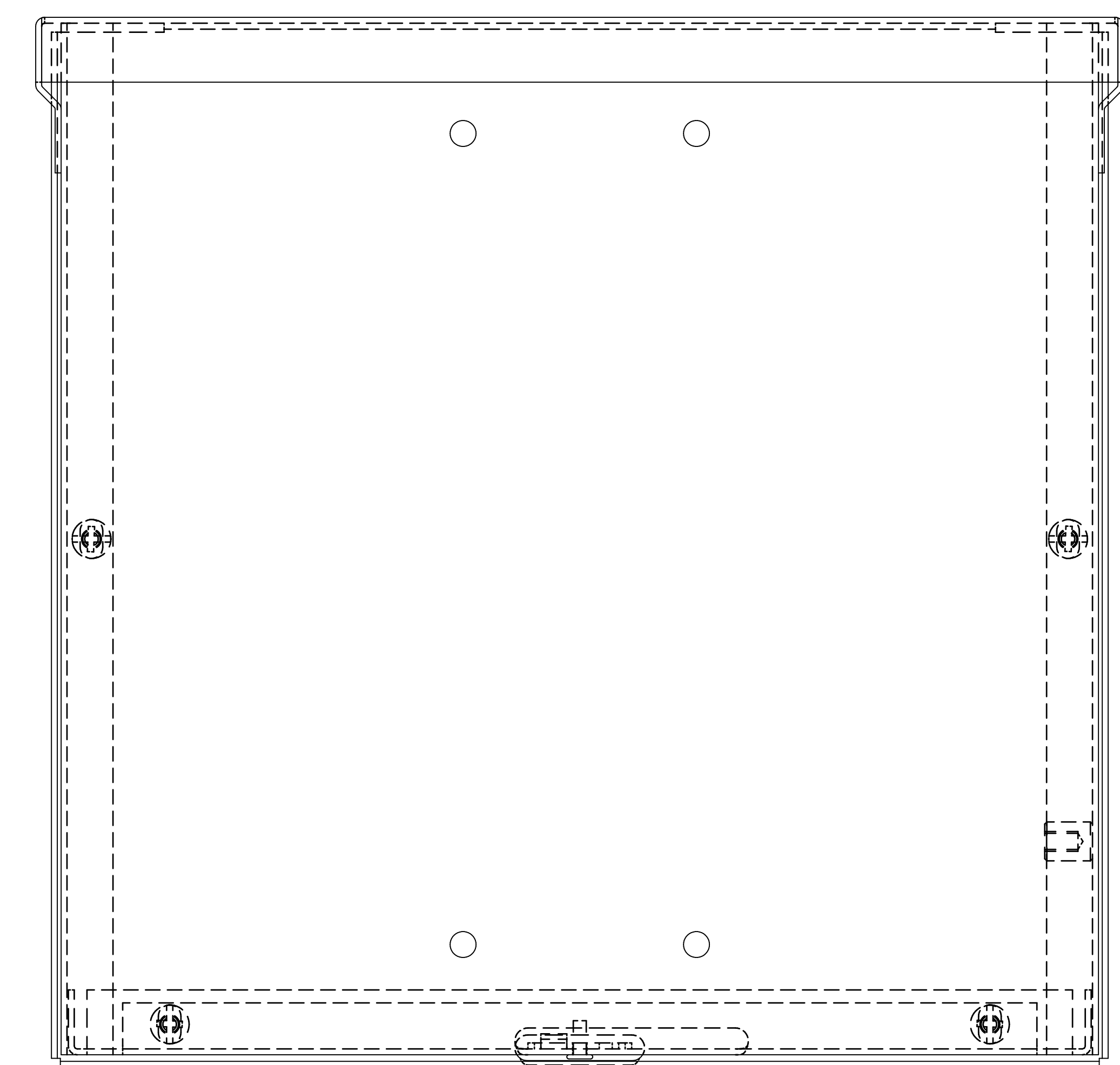
**TOP VIEW**



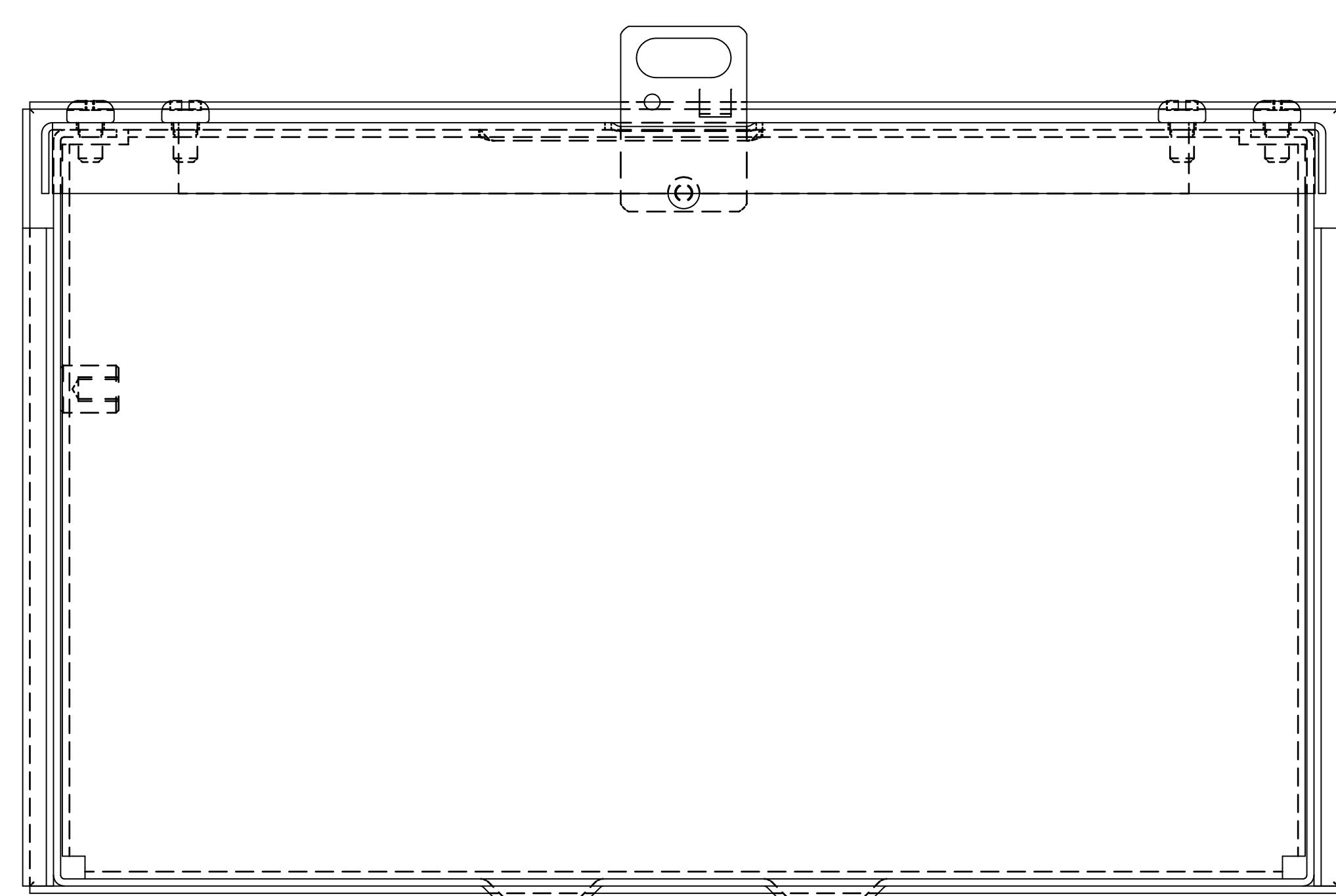
**FRONT VIEW**



**SIDE VIEW**



**BACK VIEW**



**BOTTOM VIEW**