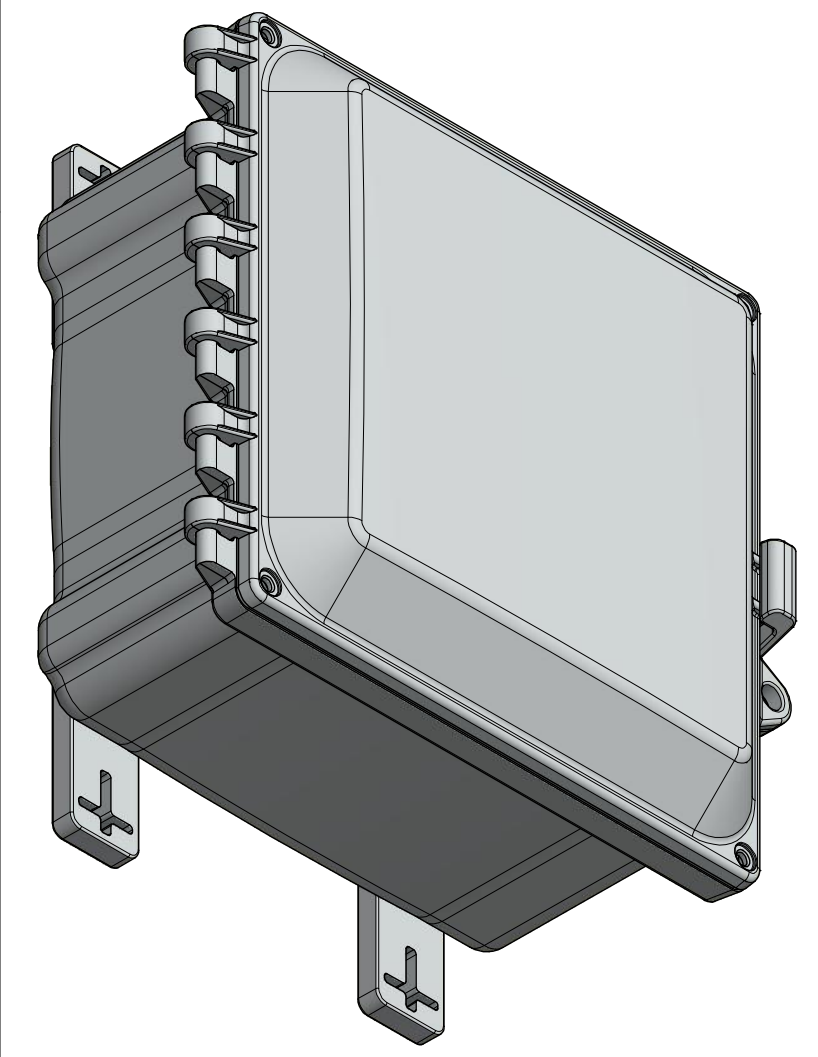
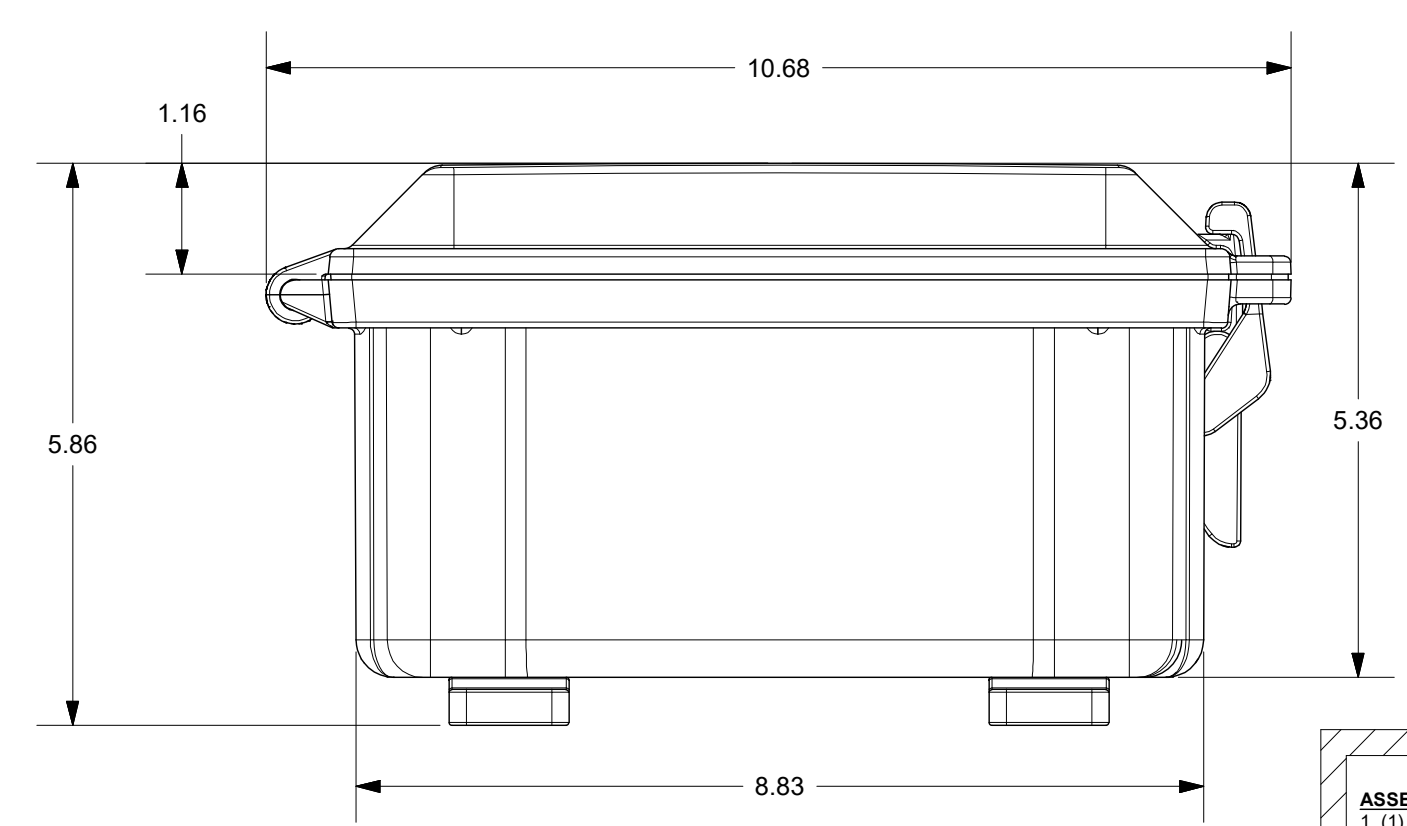
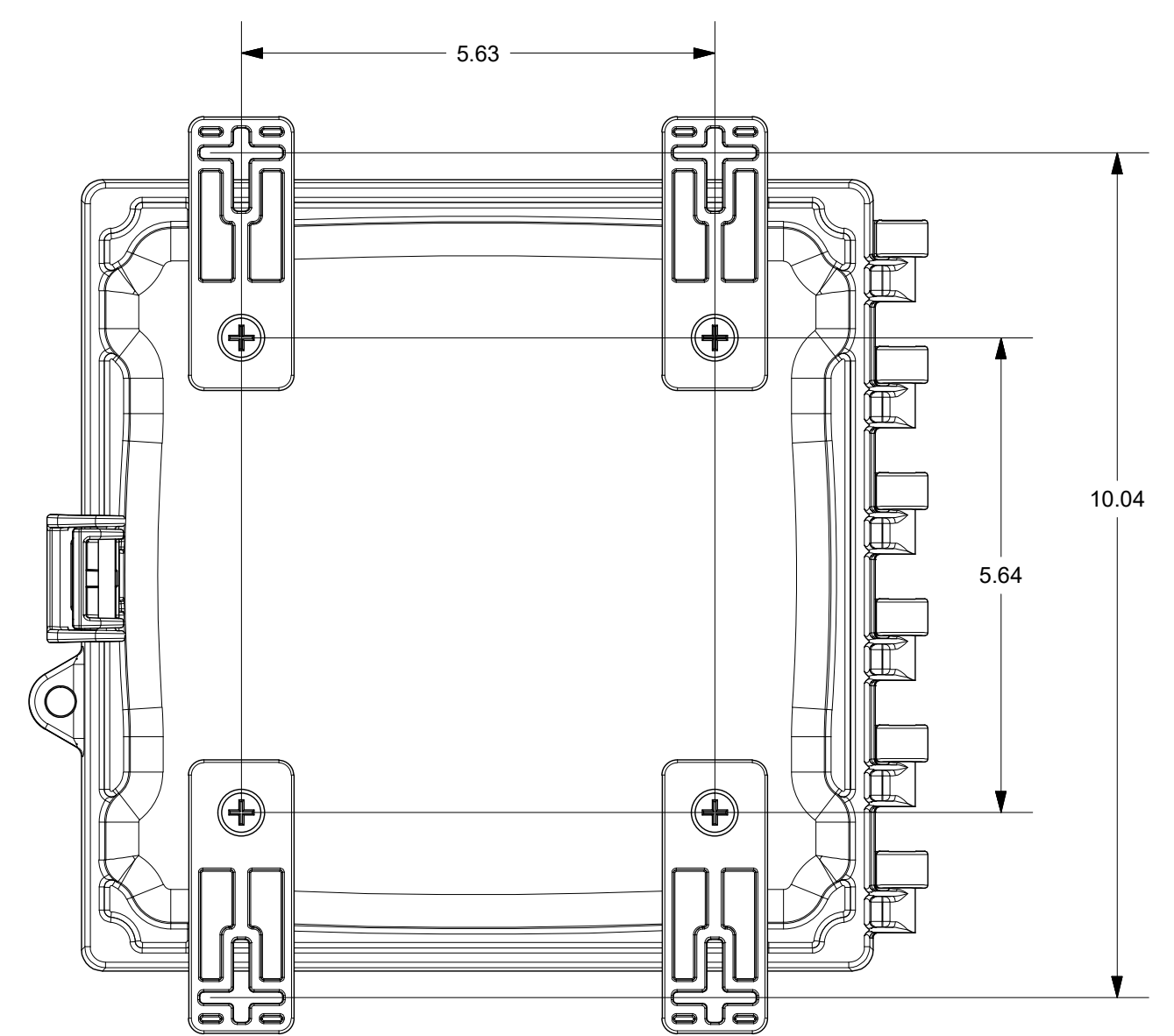
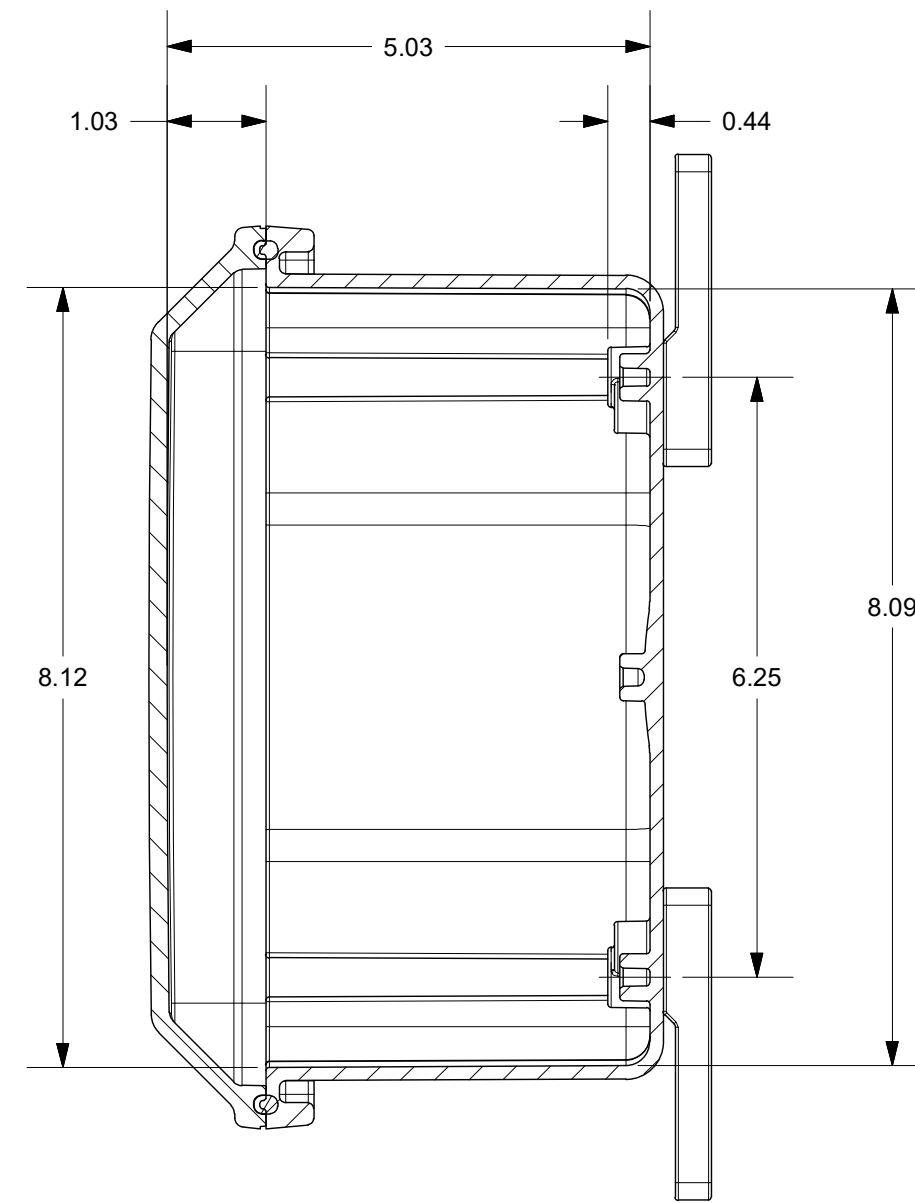
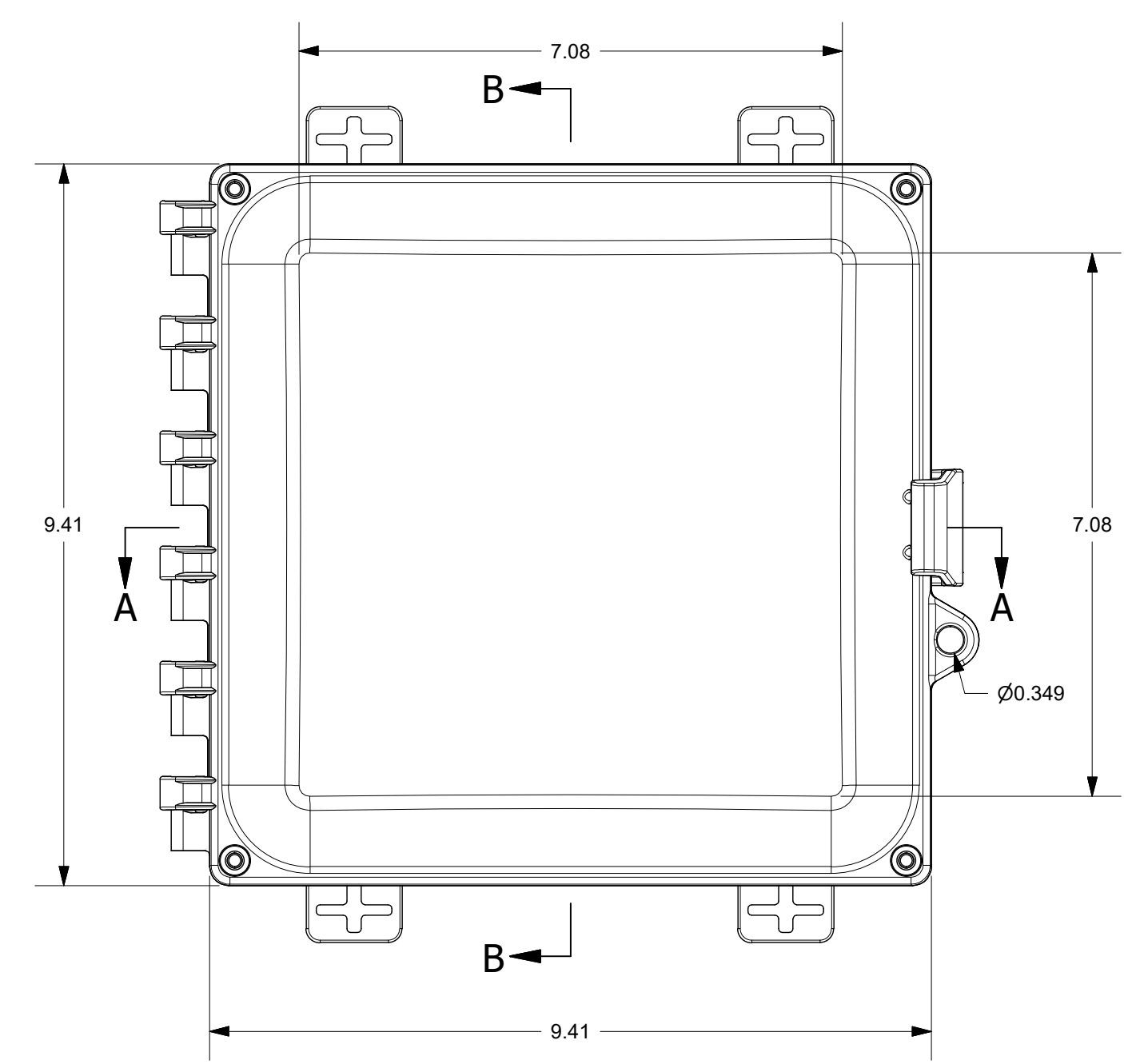
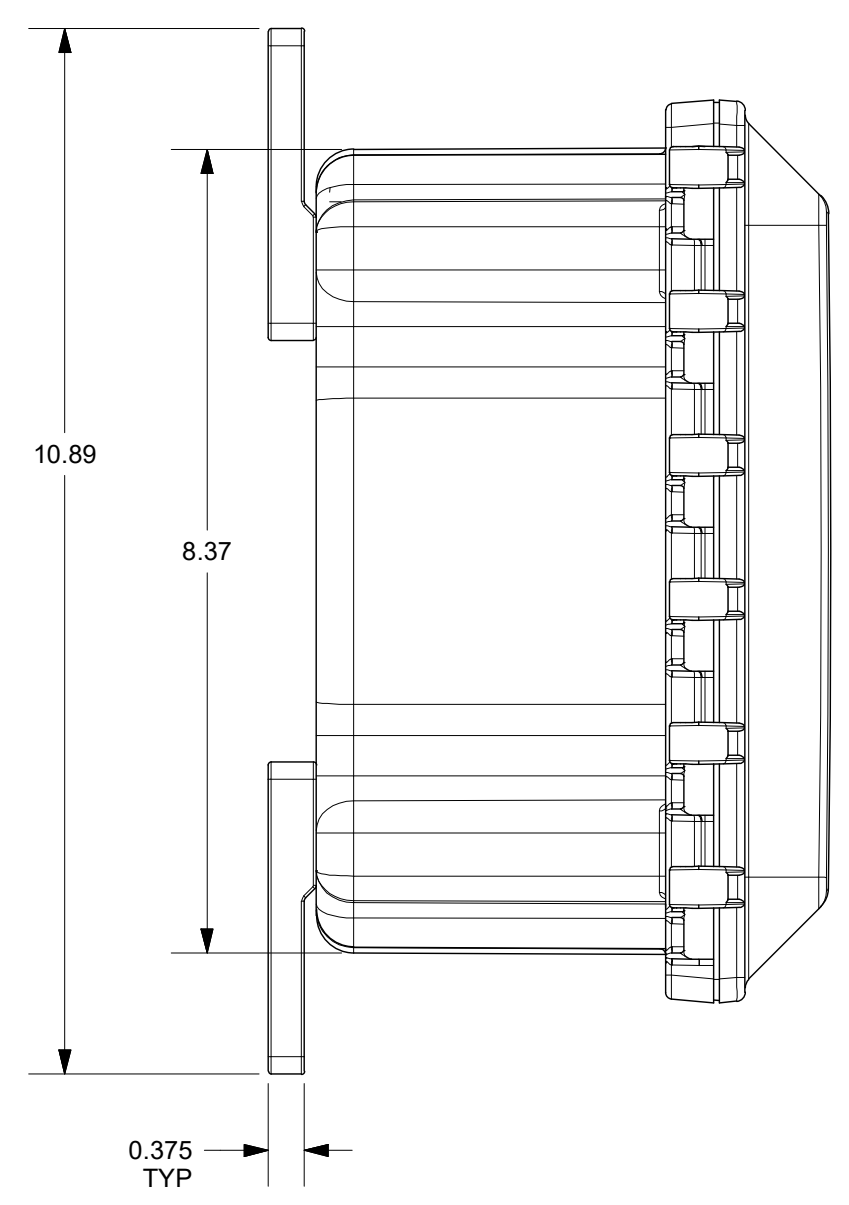


FOR REFERENCE ONLY  
MOUNTING FEET SHOWN AS INSTALLED



THIS DRAWING IS THE SOLE AND EXCLUSIVE PROPERTY OF ROBROY ENCLOSURES. NO PART OF THIS DRAWING MAY BE REPRODUCED, DISTRIBUTED, OR PUBLICALLY DISPLAYED IN ANY FORM OR BY ANY MEANS WITHOUT THE EXPRESS WRITTEN PERMISSION OF ROBROY ENCLOSURES. ALL RIGHTS RESERVED. UNDER THE COPYRIGHT LAWS. COPYRIGHT © 2017 ROBROY ENCLOSURES

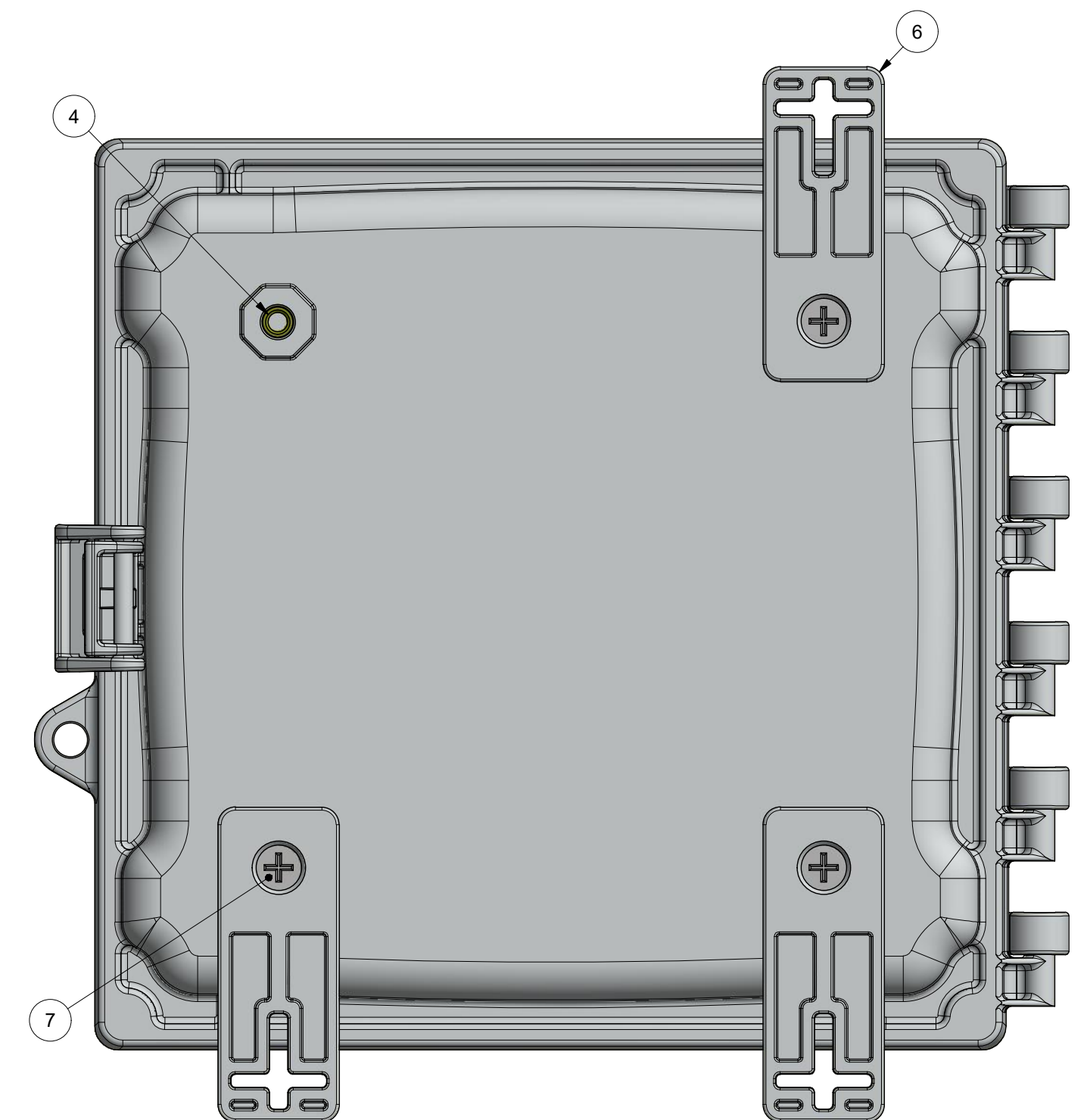
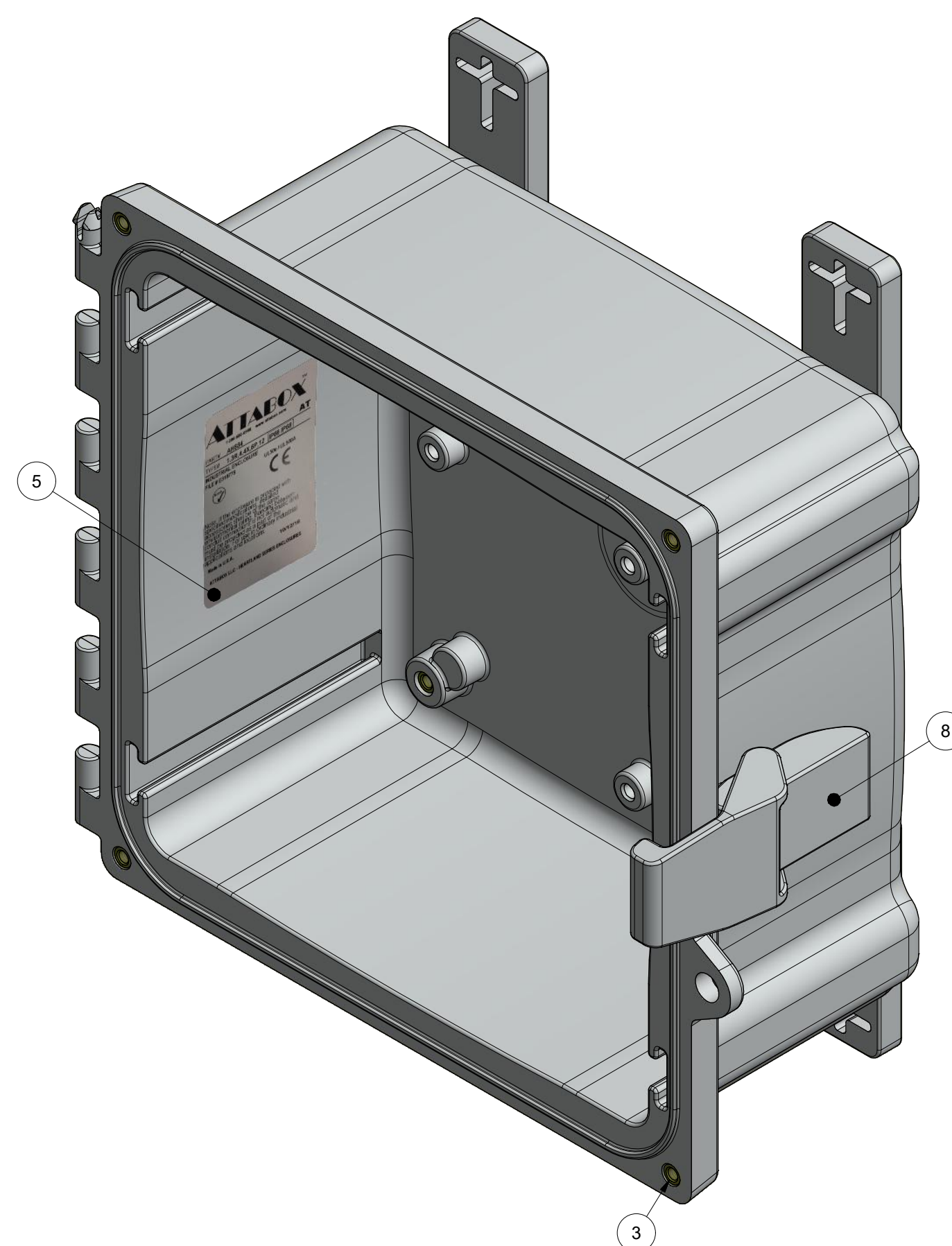
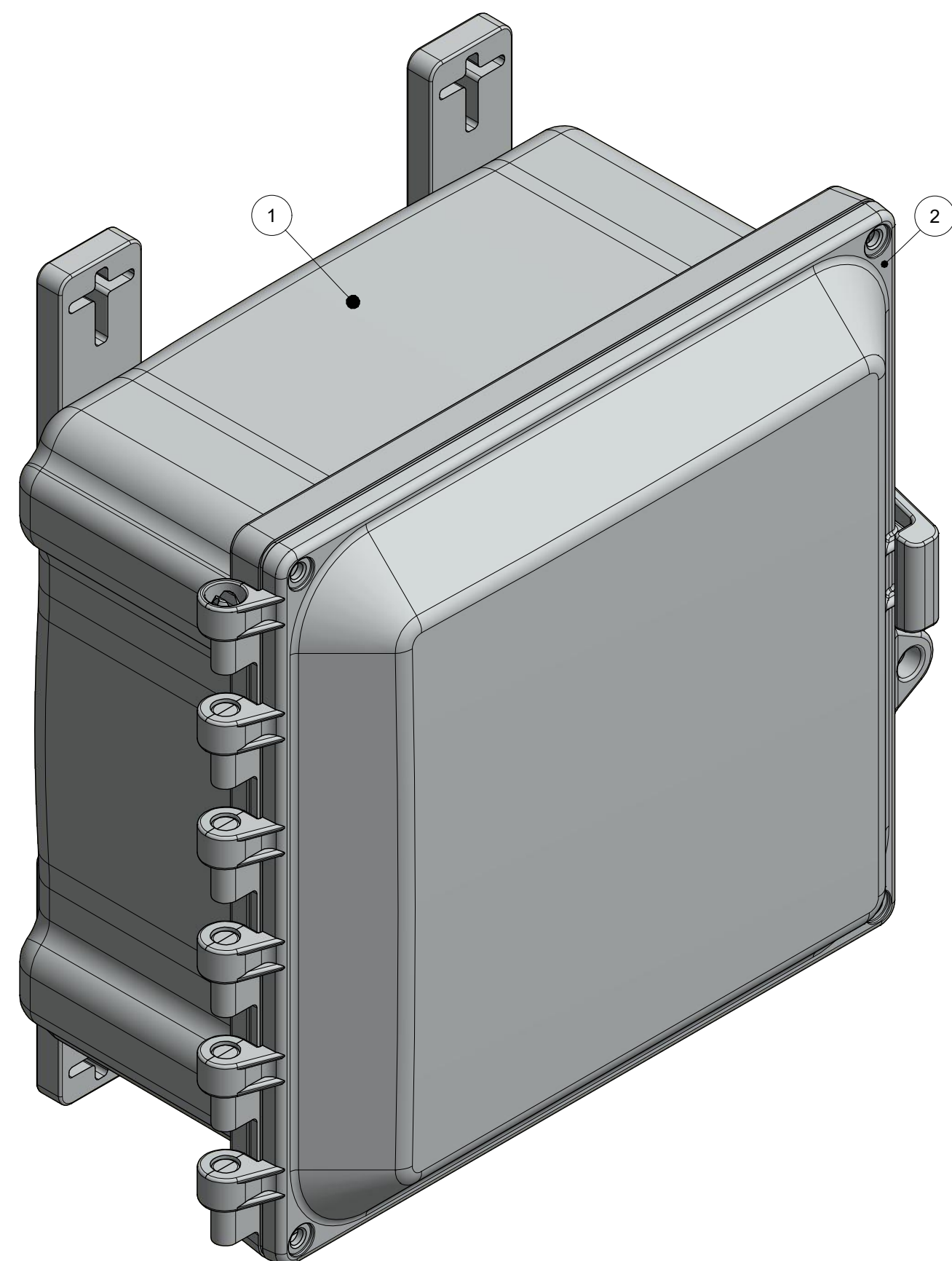
**SPECIAL REQUIREMENTS**

ASSEMBLY:  
1. (1) POLYCARBONATE ACCESSORY KIT (WPPCACCKIT) SHALL BE PACKAGED LOOSELY INSIDE ENCLOSURE  
HARDWARE INCLUDED:  
-(4) #14-20 x 1/2 FLAT HEAD PHILLIPS MACHINE SCREW (RMSC14-20X.5FLPH)  
-(4) #10-32 x 5/8 PAN HEAD PHILLIPS MACHINE SCREW (RMSC1032X5/8SS)  
-(4) #10-32 x 3/8 PAN HEAD SCREW (RMSC1032X3/8ZN)  
-(4) #10 WASHER (RMWAS10ZN)  
2. (1) STYROFOAM SHEET SHALL BE PLACED ON TOP OF COVER INSIDE CARTON

NEMA 250: TYPE 1, 3R, 4, 4X, 6P, 12 IEC 60529: IP66, IP68		STANDARD P/N: AH884	ALL DIMENSIONS ARE IN INCHES UNLESS OTHERWISE SPECIFIED		TOLERANCES UNLESS SPECIFIED	.XX ± 0.03	.XXX ± 0.010
COLOR: N/A COLOR STANDARD: PANTONE 7541 C		CUSTOMER DWG:					
MATERIAL: POLYCARBONATE							
REVISION HISTORY		DRW	DATE	CUSTOMER	DWG		
REV	DESCRIPTION	DATE	ENG		AH884		
-	-	-	-		PART NUMBER		
-	-	-	-		ATAH884		
-	-	-	-		SCALE		
-	-	-	-		DO NOT SCALE		
-	-	-	-		STANDARD ENCLOSURE		

Robroy Enclosures  
500 Maple Street  
Belding, Michigan 48809  
Phone: 616-794-0700  
Fax: 616-749-3378





BACK SIDE  
(1) MOUNTING FOOT REMOVED FOR CLARITY  
TORQUE SCREWS TO 10-14 IN.-LBS.

PARTS LIST			
ITEM	QTY	PART NUMBER	DESCRIPTION
1	1	WPPC884BOX	AH884 MOLDED BOX
2	1	WPPC884U	AH884 GASKETED COVER
3	8	RMAHINS10-32UNF	#10-32 UNF COVER & BACK PANEL BRASS INSERT
4	4	RMAHINS1/4-20UNC	1/4-20 UNC MOUNTING FOOT BRASS INSERT
5	1	RMLABBLANK3X2	AH884 LABEL
6	4	RMAHFOOT-001	MOUNTING FOOT (INCLUDED WITH WPPCACCKIT)
7	4	RMSC1/4-20X.5FLPH	1/4-20 x 1/2 FLAT HEAD PHILLIPS MACHINE SCREW
8	4	RMAHLATCH-001	LATCH
9	1	WPPCACCKIT	POLYCARBONATE ACCESSORY KIT (INCLUDES MOUNTING FEET)

THIS DRAWING IS THE SOLE AND EXCLUSIVE PROPERTY OF ROBROY ENCLOSURES. NO PART OF THIS DRAWING MAY BE REPRODUCED, DISTRIBUTED, OR PUBLICALLY DISPLAYED IN ANY FORM OR BY ANY MEANS WITHOUT THE EXPRESS WRITTEN PERMISSION OF ROBROY ENCLOSURES. ALL RIGHTS RESERVED. UNDER THE COPYRIGHT LAWS. COPYRIGHT © 2017 ROBROY ENCLOSURES

**SPECIAL REQUIREMENTS**

**ASSEMBLY:**  
1. (1) POLYCARBONATE ACCESSORY KIT (WPPCACCKIT) SHALL BE PACKAGED LOOSELY INSIDE ENCLOSURE

**HARDWARE INCLUDED:**  
 (9) (4) 1/4-20 x 1/2 FLAT HEAD PHILLIPS MACHINE SCREW (RMSC1/4-20X.5FLPH)  
 (4) #10-32 x 5/8 PAN HEAD PHILLIPS MACHINE SCREW (RMSC10/32X5/8SS)  
 (4) #10-32 x 3/8 PAN HEAD SCREW (RMSC10/32X3/8ZN)  
 (4) #10 WASHER (RMWAS10ZN)  
 2. (1) STYROFOAM SHEET SHALL BE PLACED ON TOP OF COVER INSIDE CARTON

NEMA 250: TYPE 1, 3R, 4, 4X, 6P, 12  
IEC 60529: IP66, IP68  
COLOR: N/A  
COLOR STANDARD: PANTONE 7541 C

STANDARD P/N: AH884  
CUSTOMER DWG:

MATERIAL: POLYCARBONATE

ALL DIMENSIONS ARE IN INCHES UNLESS OTHERWISE SPECIFIED		TOLERANCES UNLESS SPECIFIED		.XX ± 0.03	.XXX ± 0.010
<b>AttaBox</b>		Robroy Enclosures		500 Maple Street Belding, Michigan 48809 Phone: 616-794-0700 Fax: 616-749-3378	
DRAWN BY: DRH	DATE: 06/06/17	CUSTOMER:		DWG: AH884	
SCALE: DO NOT SCALE	DESCRIPTION: STANDARD ENCLOSURE	PART NUMBER: ATAH884			