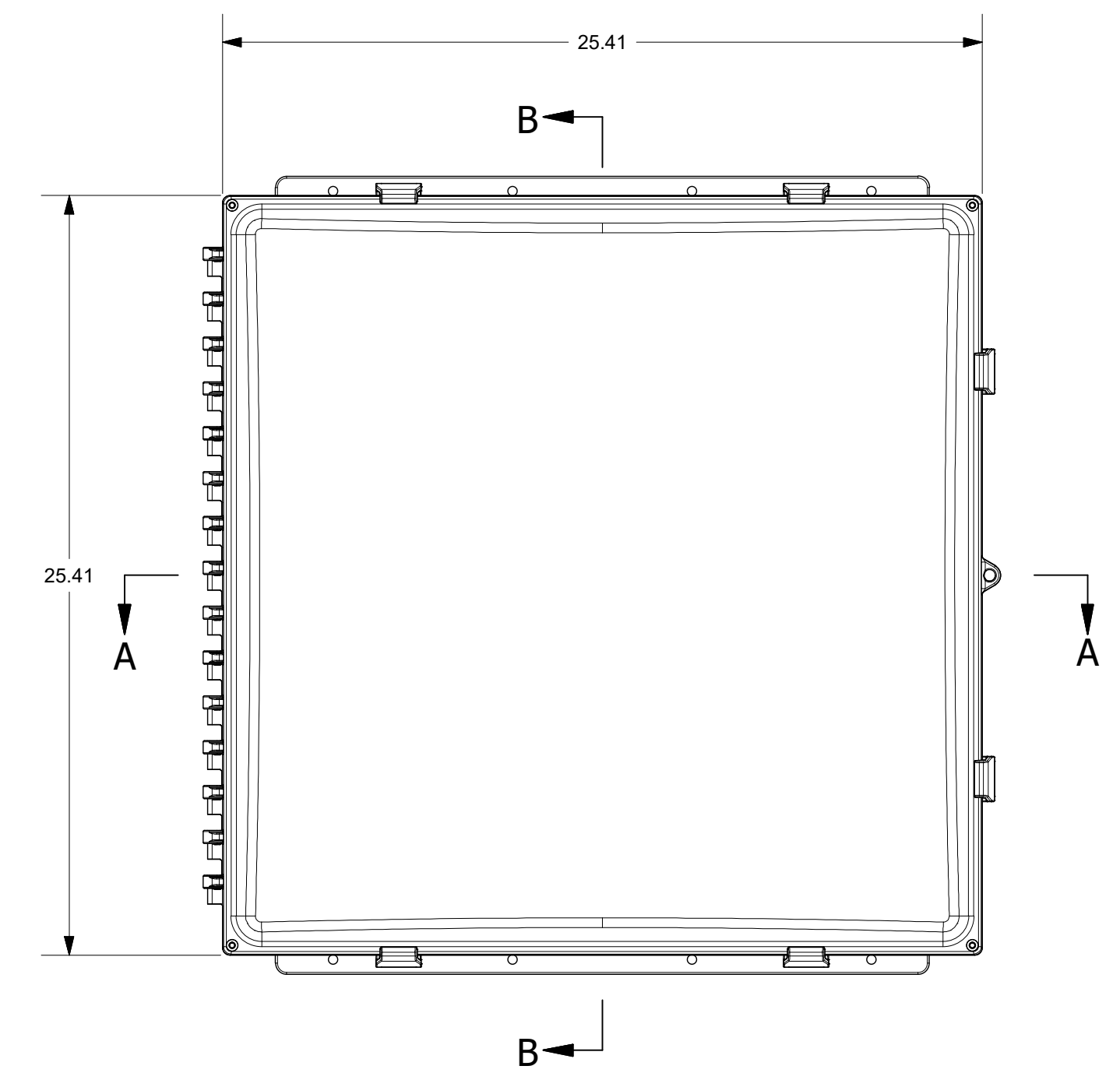
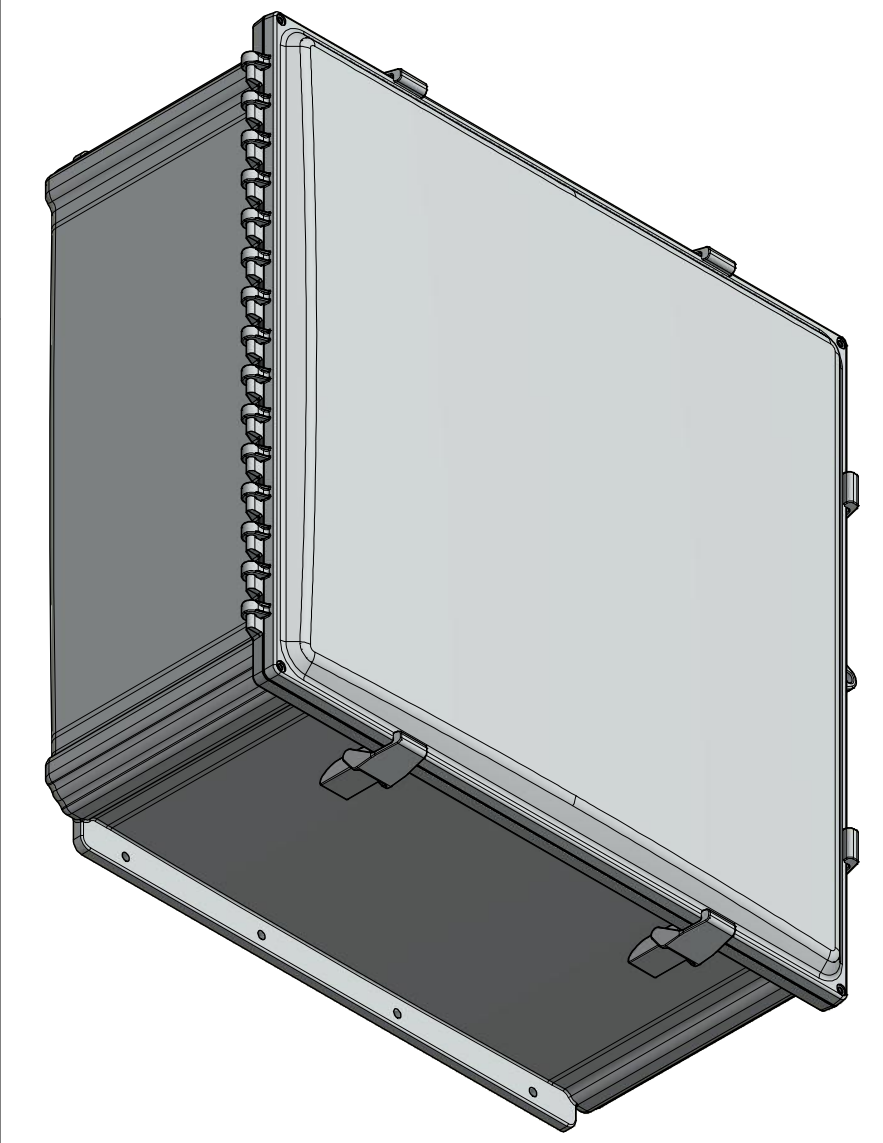
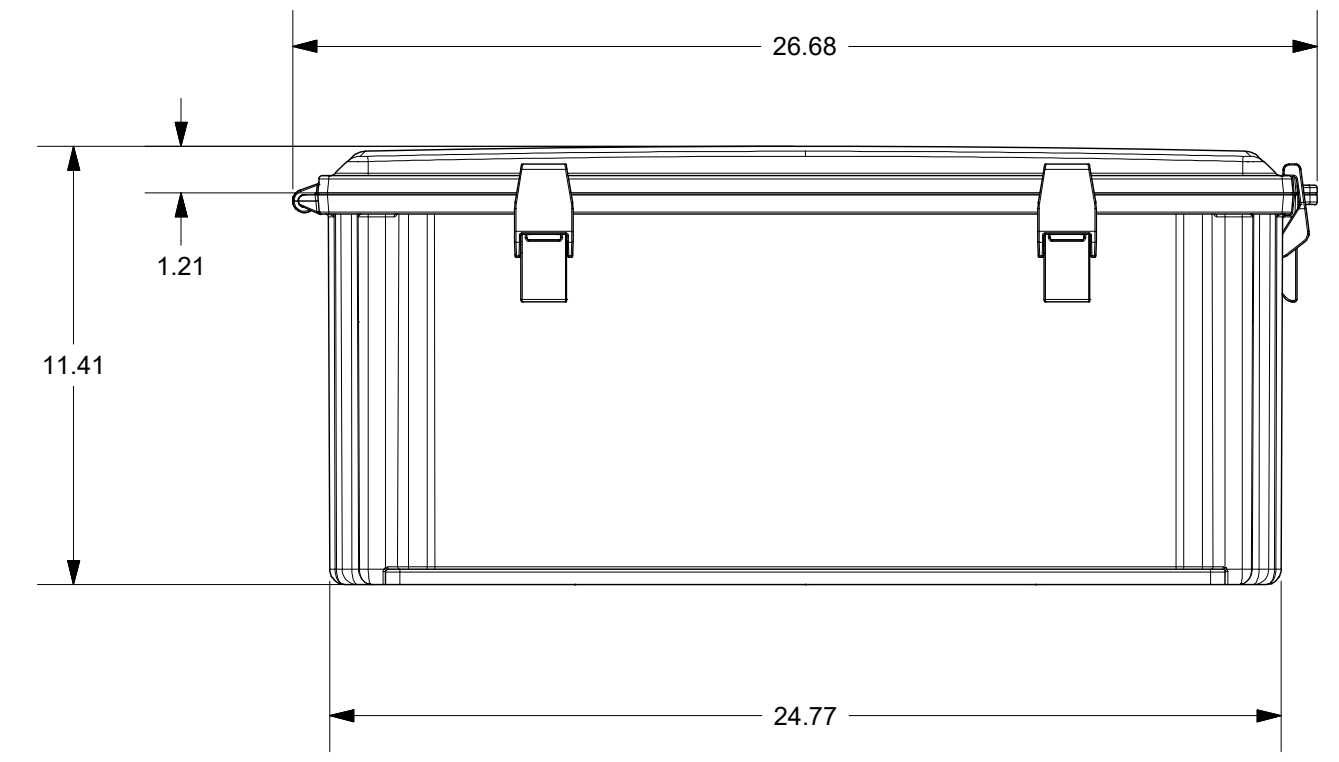
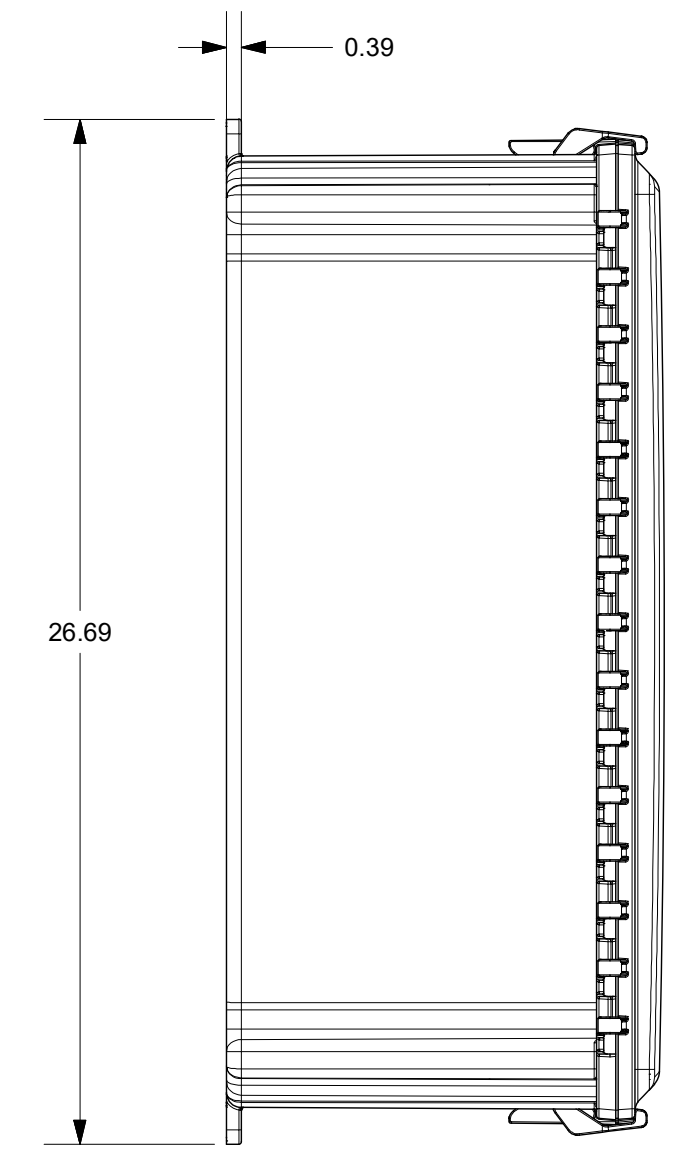
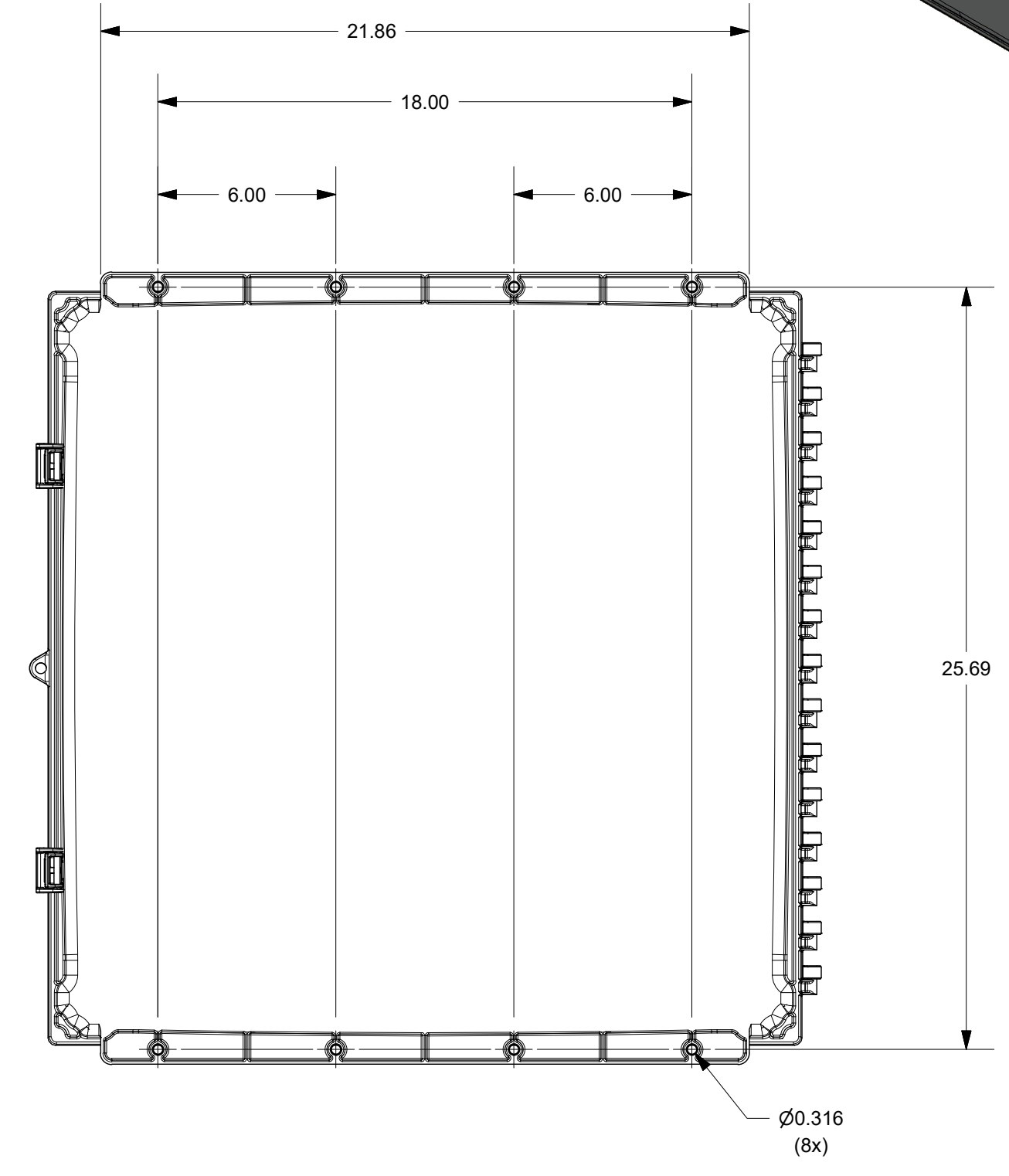
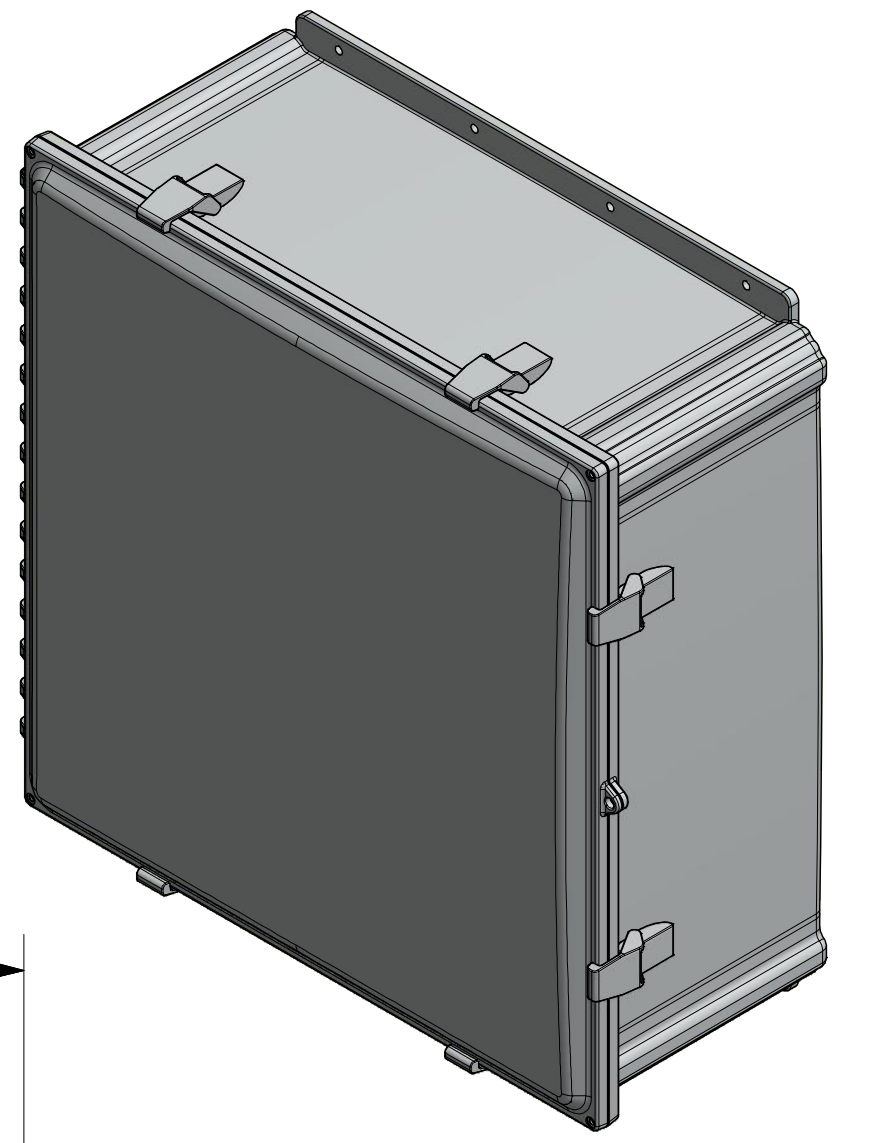


SECTION A-A

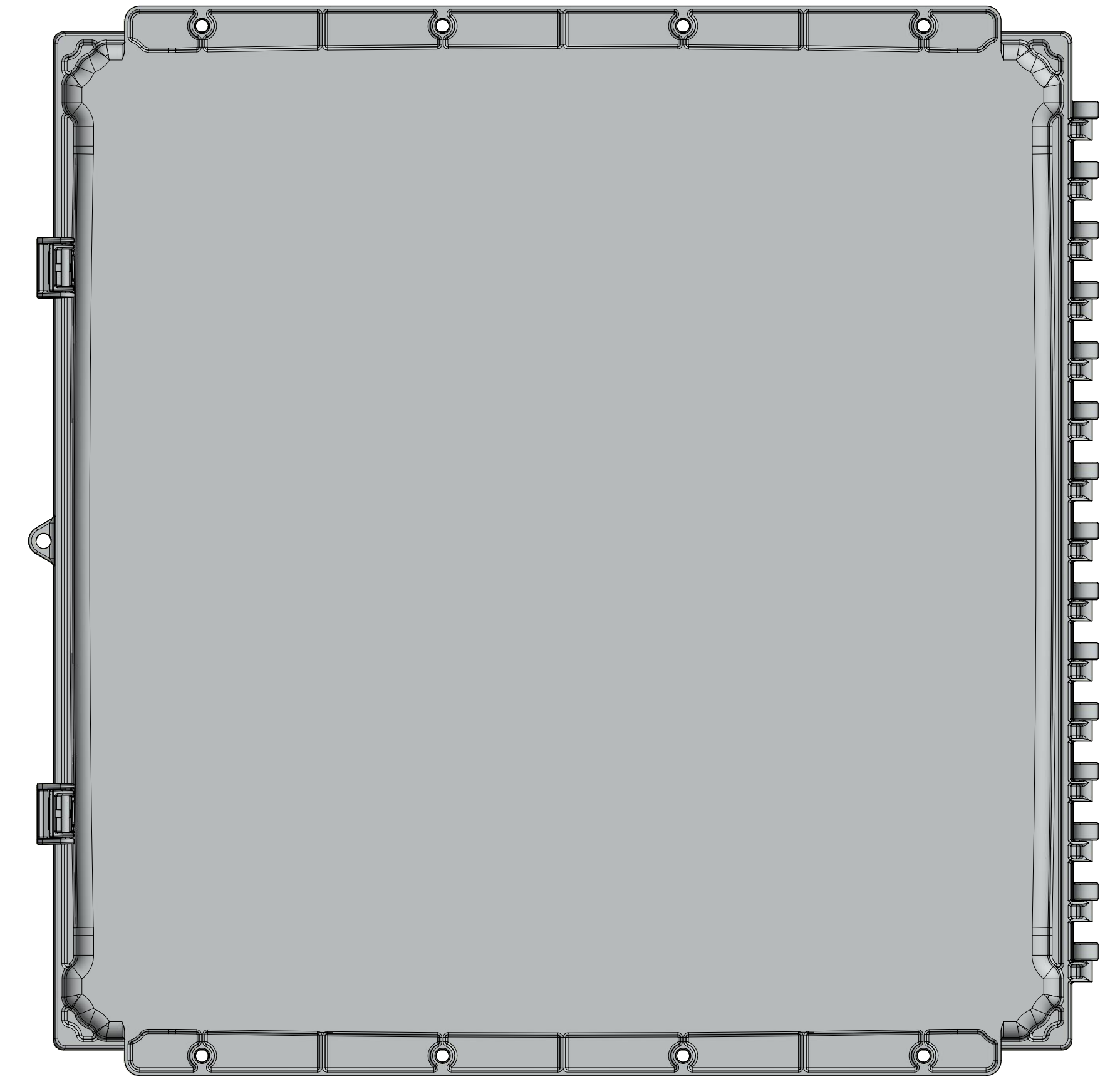
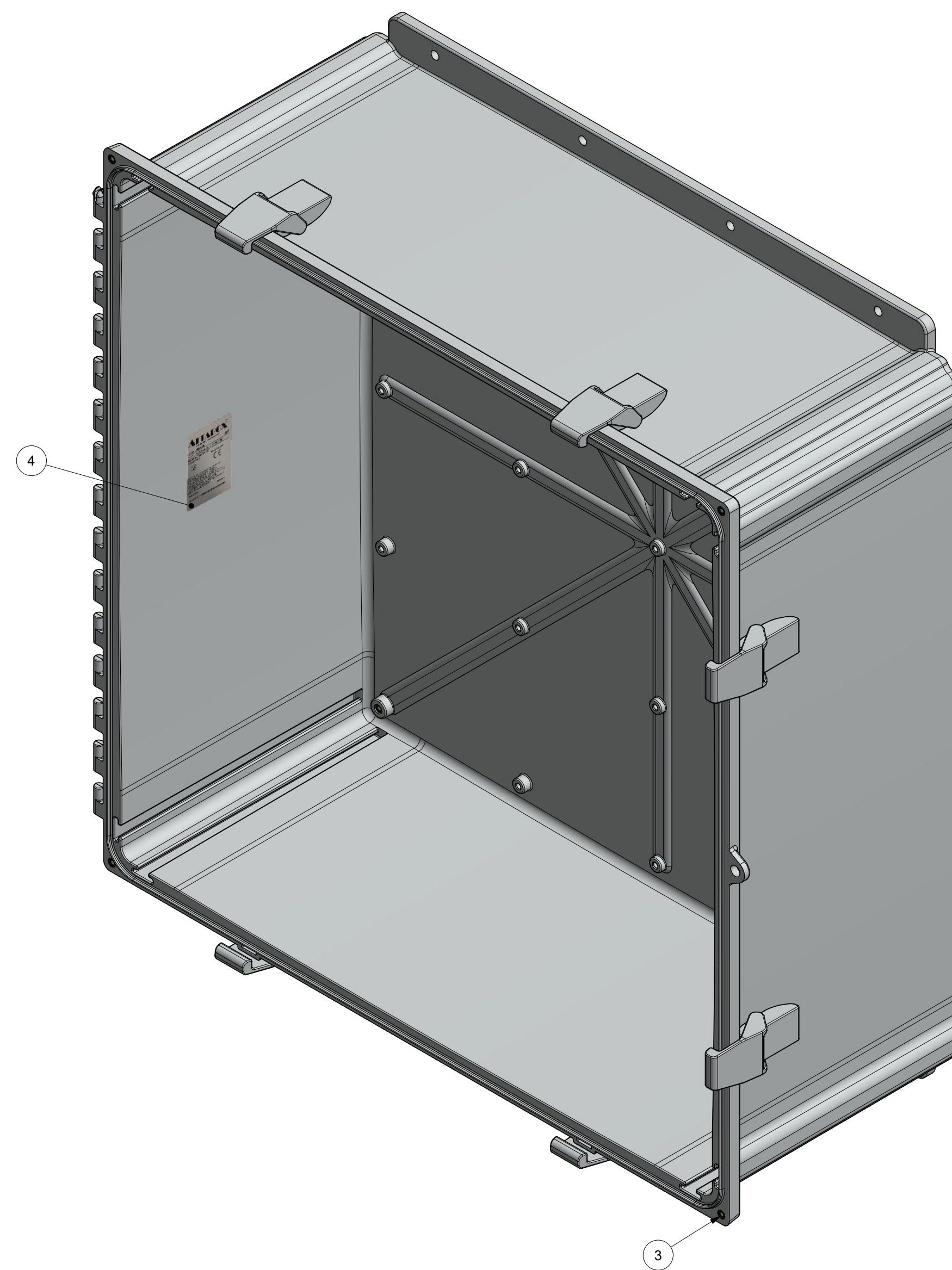
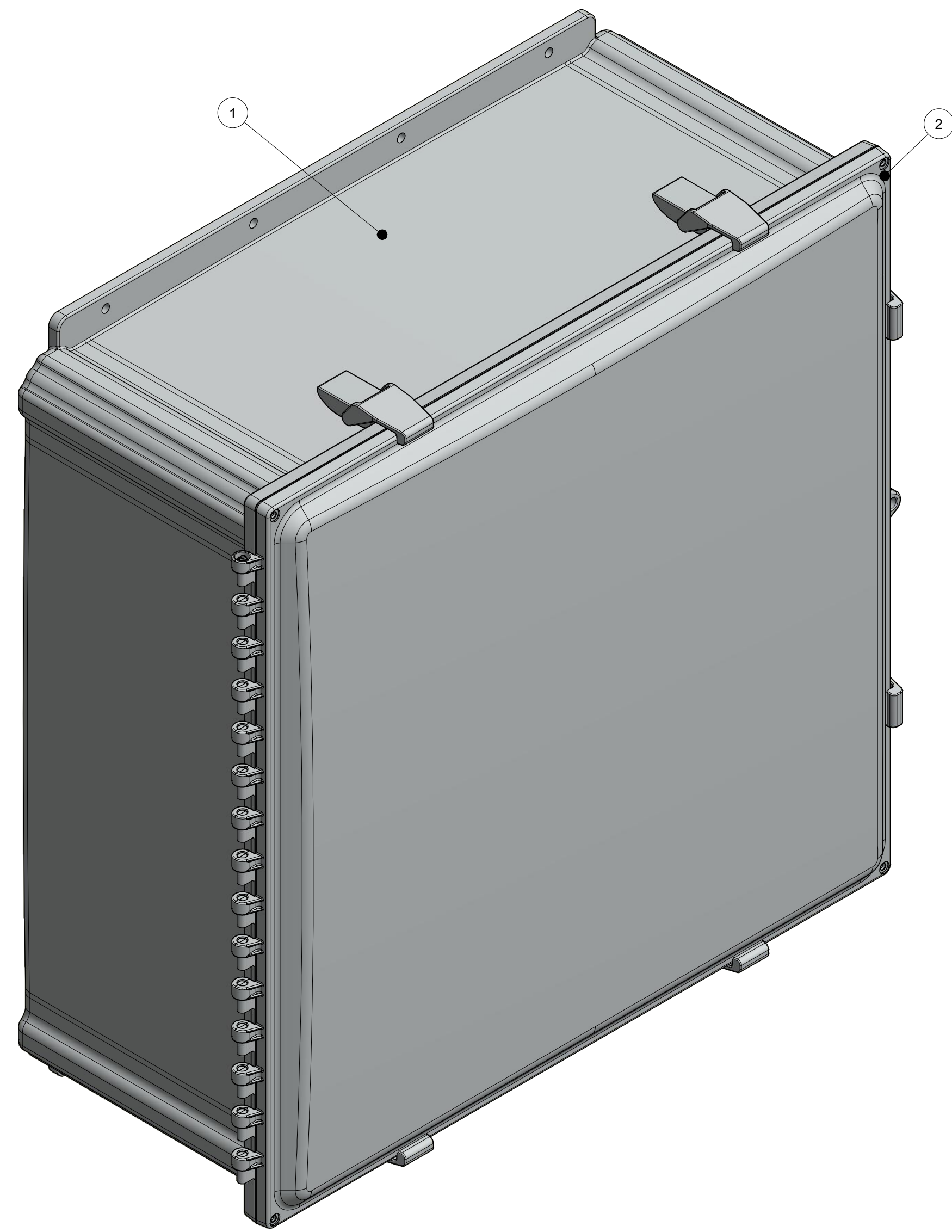


SECTION B-B



THIS DRAWING IS THE SOLE AND EXCLUSIVE PROPERTY OF ROBROY ENCLOSURES. NO PART OF THIS DRAWING MAY BE REPRODUCED, DISTRIBUTED, OR PUBLICALLY DISPLAYED IN ANY FORM OR BY ANY MEANS WITHOUT THE EXPRESS WRITTEN PERMISSION OF ROBROY ENCLOSURES. ALL RIGHTS RESERVED. UNDER THE COPYRIGHT LAWS. COPYRIGHT © 2016 ROBROY ENCLOSURES.

SPECIAL REQUIREMENTS				NEMA 250: TYPE 1, 3R, 4, 4X, 6P, 12 IEC 60529: IP66, IP68		STANDARD P/N: AH242410		ALL DIMENSIONS ARE IN INCHES UNLESS OTHERWISE SPECIFIED		TOLERANCES UNLESS SPECIFIED																																																																			
ASSEMBLY: 1. (1) ACCESSORY KIT (ATAHAKNOFT) SHALL BE PACKAGED LOOSELY INSIDE ENCLOSURE HARDWARE INCLUDED: - (4) #10-32 x 5/8 PAN HEAD PHILLIPS MACHINE SCREW (RMSC1032X5/8SS) - (4) #10-32 x 3/8 PAN HEAD SCREW (RMSC1032X3/8ZN) - (4) #10 WASHER (RMWAS10ZN) 2. (1) STYROFOAM SHEET SHALL BE PLACED ON TOP OF COVER INSIDE CARTON				COLOR: N/A COLOR STANDARD: PANTONE 7541 C		CUSTOMER DWG:				.XX ± 0.03 .XXX ± 0.010																																																																			
				MATERIAL: POLYCARBONATE						Robroy Enclosures 500 Maple Street Belding, Michigan 48809 Phone: 616-794-0700 Fax: 616-749-3378																																																																			
				<table border="1"> <thead> <tr> <th colspan="4">REVISION HISTORY</th> </tr> <tr> <th>REV</th> <th>DESCRIPTION</th> <th>DATE</th> <th>ENG</th> </tr> </thead> <tbody> <tr><td>-</td><td>-</td><td>-</td><td>-</td></tr> <tr><td>-</td><td>-</td><td>-</td><td>-</td></tr> <tr><td>-</td><td>-</td><td>-</td><td>-</td></tr> <tr><td>-</td><td>-</td><td>-</td><td>-</td></tr> <tr><td>-</td><td>-</td><td>-</td><td>-</td></tr> <tr><td>-</td><td>-</td><td>-</td><td>-</td></tr> <tr><td>-</td><td>-</td><td>-</td><td>-</td></tr> </tbody> </table>		REVISION HISTORY				REV	DESCRIPTION	DATE	ENG	-	-	-	-	-	-	-	-	-	-	-	-	-	-	-	-	-	-	-	-	-	-	-	-	-	-	-	-	<table border="1"> <thead> <tr> <th colspan="2">DRAWN BY</th> <th colspan="2">DATE</th> <th colspan="2">CUSTOMER</th> <th colspan="2">DWG</th> </tr> </thead> <tbody> <tr> <td colspan="2">AJC</td> <td colspan="2">11/23/16</td> <td colspan="2"></td> <td colspan="2">AH242410</td> </tr> <tr> <td colspan="2">SCALE</td> <td colspan="2">DO NOT SCALE</td> <td colspan="2">DESCRIPTION</td> <td colspan="2">PART NUMBER</td> </tr> <tr> <td colspan="2"></td> <td colspan="2"></td> <td colspan="2">STANDARD ENCLOSURE</td> <td colspan="2">ATAH242410</td> </tr> </tbody> </table>		DRAWN BY		DATE		CUSTOMER		DWG		AJC		11/23/16				AH242410		SCALE		DO NOT SCALE		DESCRIPTION		PART NUMBER						STANDARD ENCLOSURE		ATAH242410			
REVISION HISTORY																																																																													
REV	DESCRIPTION	DATE	ENG																																																																										
-	-	-	-																																																																										
-	-	-	-																																																																										
-	-	-	-																																																																										
-	-	-	-																																																																										
-	-	-	-																																																																										
-	-	-	-																																																																										
-	-	-	-																																																																										
DRAWN BY		DATE		CUSTOMER		DWG																																																																							
AJC		11/23/16				AH242410																																																																							
SCALE		DO NOT SCALE		DESCRIPTION		PART NUMBER																																																																							
				STANDARD ENCLOSURE		ATAH242410																																																																							



BACK SIDE

PARTS LIST			
ITEM	QTY	PART NUMBER	DESCRIPTION
1	1	WPPC242410BOX	AH242410 MOLDED BOX
2	1	WPPC242410U	AH242410 GASKETED COVER
3	8	RMAHINS10-32UNF	#10-32 UNF COVER & BACK PANEL BRASS INSERT
4	1	RMLABLANK3X2	AH242410 LABEL
5	1	ATAHAKNOFT	ACCESSORY KIT

THIS DRAWING IS THE SOLE AND EXCLUSIVE PROPERTY OF ROBROY ENCLOSURES. NO PART OF THIS DRAWING MAY BE REPRODUCED, DISTRIBUTED, OR PUBLICALLY DISPLAYED IN ANY FORM OR BY ANY MEANS WITHOUT THE EXPRESS WRITTEN PERMISSION OF ROBROY ENCLOSURES. ALL RIGHTS RESERVED. UNDER THE COPYRIGHT LAWS. COPYRIGHT © 2016 ROBROY ENCLOSURES.

SPECIAL REQUIREMENTS
ASSEMBLY:
 1. (1) ACCESSORY KIT (ATAHAKNOFT) SHALL BE PACKAGED LOOSELY INSIDE ENCLOSURE
 2. (1) STYROFOAM SHEET SHALL BE PLACED ON TOP OF COVER INSIDE CARTON

HARDWARE INCLUDED:
 - (4) #10-32 x 5/8 PAN HEAD PHILLIPS MACHINE SCREW (RMSC10/32X5/8SS)
 - (4) #10-32 x 3/8 PAN HEAD SCREW (RMSC10/32X3/8ZN)
 - (4) #10 WASHER (RMWAS10ZN)

NEMA 250: TYPE 1, 3R, 4, 4X, 6P, 12
 IEC 60529: IP66, IP68
 COLOR: N/A
 COLOR STANDARD: PANTONE 7541 C

STANDARD P/N: AH242410
 CUSTOMER DWG:

ALL DIMENSIONS ARE IN INCHES UNLESS OTHERWISE SPECIFIED
 TOLERANCES UNLESS SPECIFIED .XX ± 0.03 .XXX ± 0.010

MATERIAL: POLYCARBONATE

ATTABOX		Robroy Enclosures 500 Maple Street Belding, Michigan 48809 Phone: 616-794-0700 Fax: 616-749-3378	
WWW.ATTABOX.COM	DRAWN BY: AJC	DATE: 11/23/16	CUSTOMER: _____
SCALE: DO NOT SCALE	DESCRIPTION: STANDARD ENCLOSURE	PART NUMBER: ATAH242410	DWG: _____