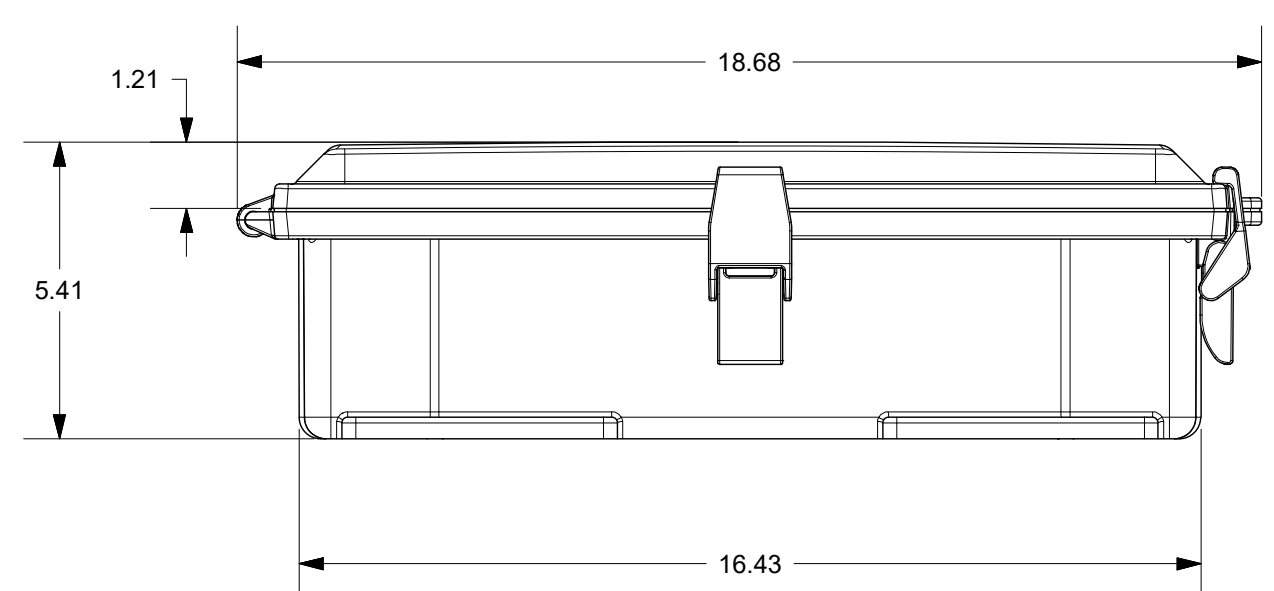
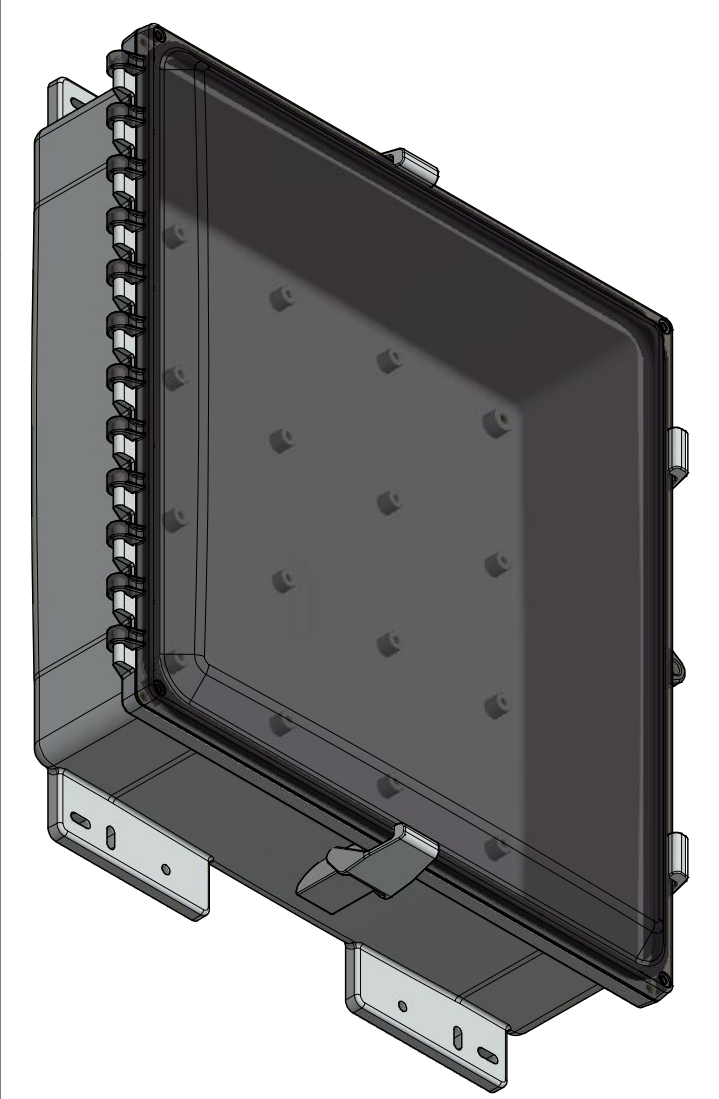
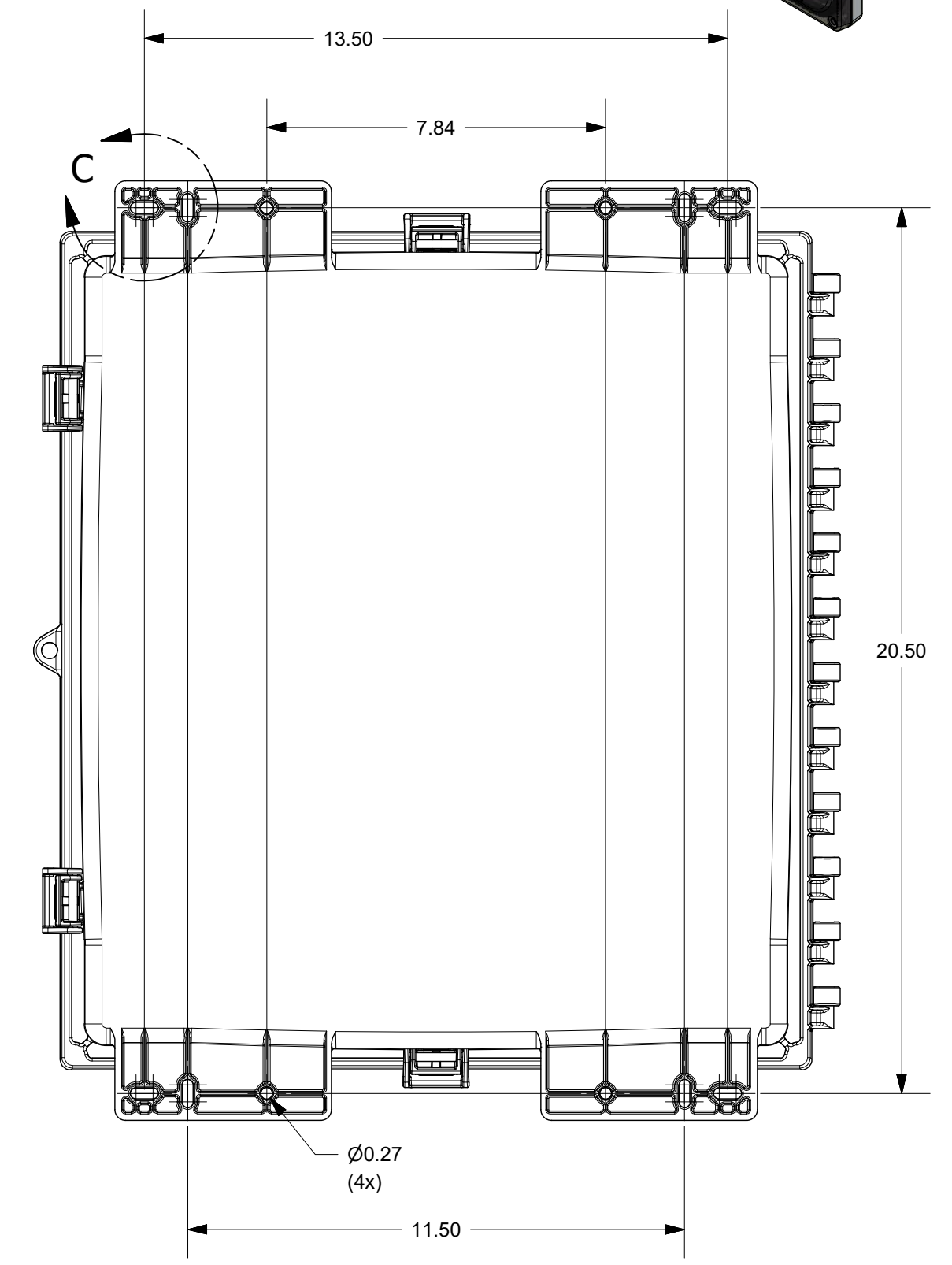


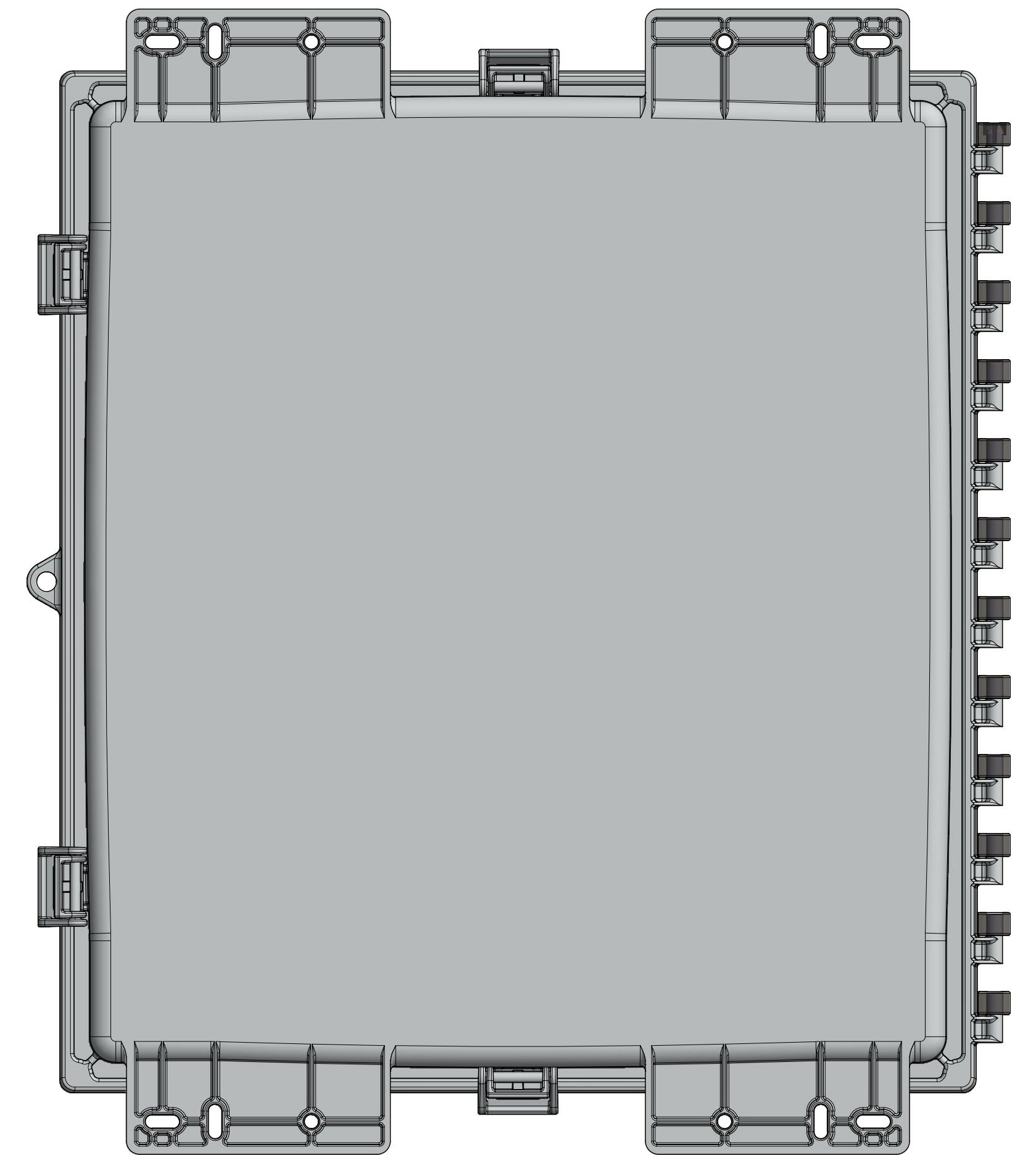
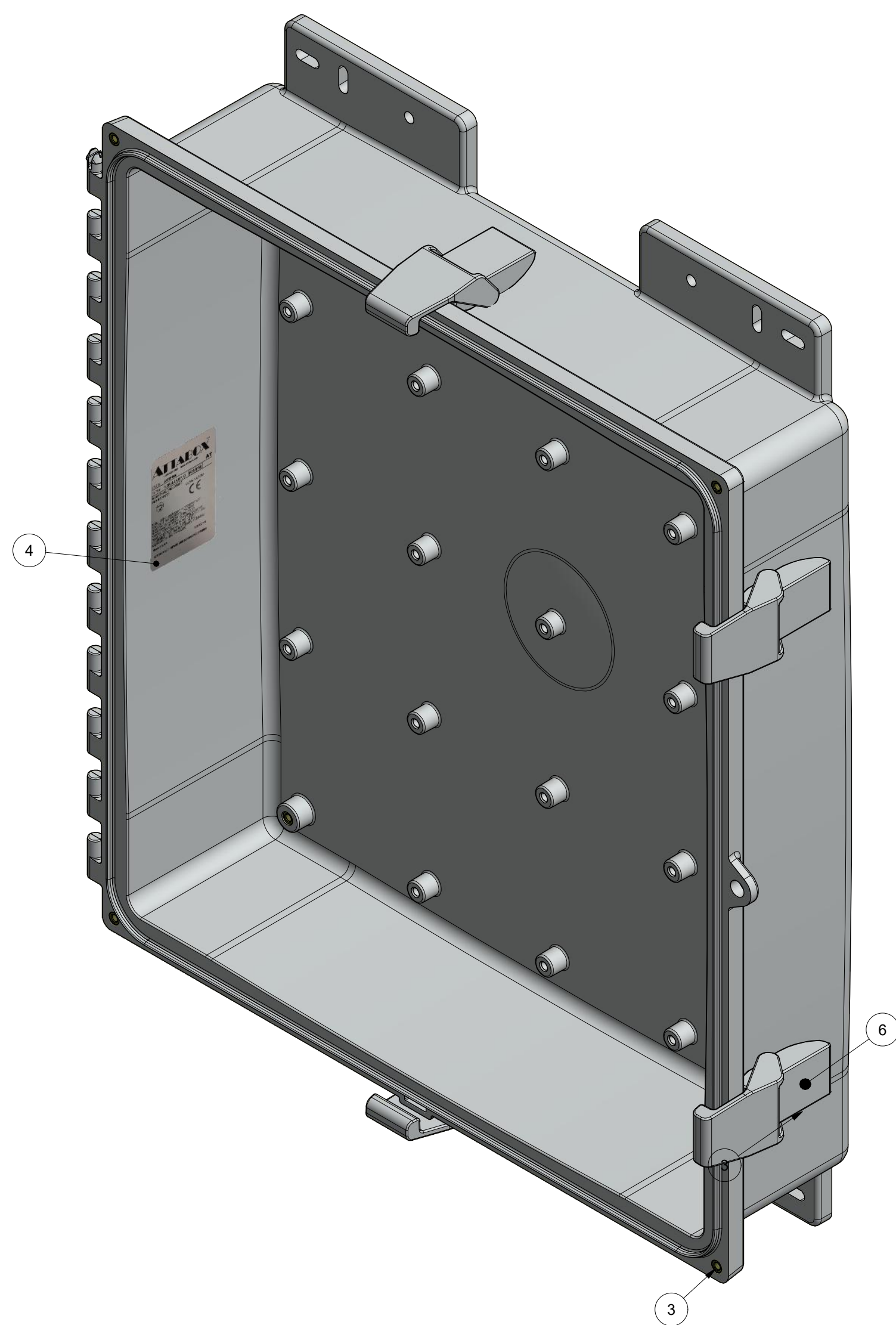
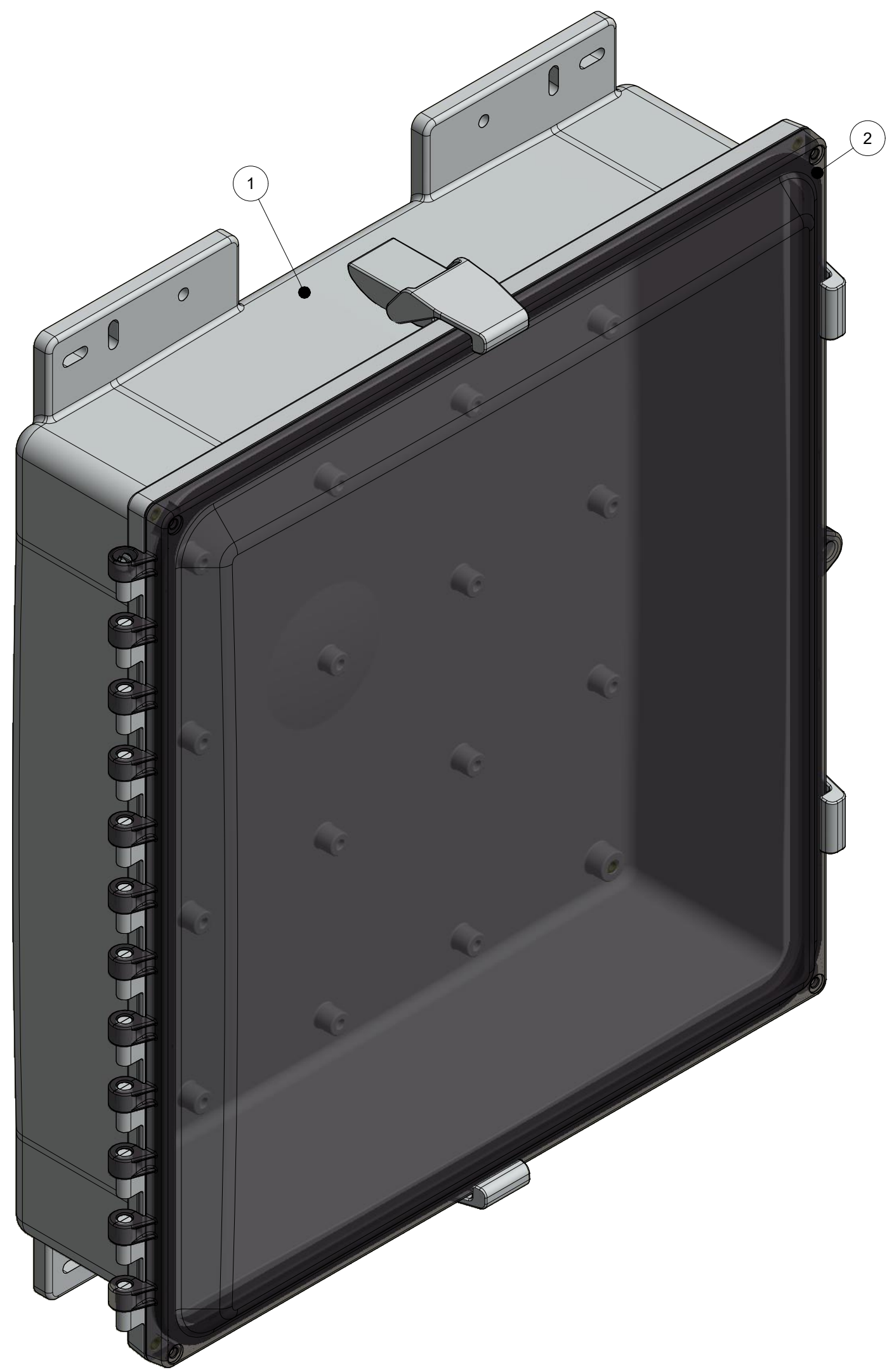
SECTION B-B



THIS DRAWING IS THE SOLE AND EXCLUSIVE PROPERTY OF ROBROY ENCLOSURES. NO PART OF THIS DRAWING MAY BE REPRODUCED, DISTRIBUTED, OR PUBLICALLY DISPLAYED IN ANY FORM OR BY ANY MEANS WITHOUT THE EXPRESS WRITTEN PERMISSION OF ROBROY ENCLOSURES. ALL RIGHTS RESERVED. UNDER THE COPYRIGHT LAWS. COPYRIGHT © 2017 ROBROY ENCLOSURES

SPECIAL REQUIREMENTS
 ASSEMBLY:
 1. (1) POLYCARBONATE ACCESSORY KIT WITHOUT MOUNTING FEET (WPPCACCKITNOFT) SHALL BE PACKAGED LOOSELY INSIDE ENCLOSURE
 HARDWARE INCLUDED:
 -(4) #10-32 x 5/8 PAN HEAD PHILLIPS MACHINE SCREW (RMSC10/32X5/8SS)
 -(4) #10-32 x 3/8 PAN HEAD SCREW (RMSC10/32X3/8ZN)
 -(4) #10 WASHER (RMWAS10ZN)
 2. (1) STYROFOAM SHEET SHALL BE PLACED ON TOP OF COVER INSIDE CARTON

NEMA 250: TYPE 1, 3R, 4, 4X, 6P, 12 IEC 60529: IP66, IP68		STANDARD P/N: AH18164C	ALL DIMENSIONS ARE IN INCHES UNLESS OTHERWISE SPECIFIED		TOLERANCES UNLESS SPECIFIED	.XX ± 0.03	.XXX ± 0.010																																							
COLOR: N/A COLOR STANDARD: PANTONE 7541 C		CUSTOMER DWG:	<p>Robroy Enclosures 500 Maple Street Belding, Michigan 48809 Phone: 616-794-0700 Fax: 616-749-3378</p>																																											
MATERIAL: POLYCARBONATE		<table border="1"> <thead> <tr> <th>REV</th> <th>DESCRIPTION</th> <th>DATE</th> <th>ENG</th> </tr> </thead> <tbody> <tr><td>-</td><td>-</td><td>-</td><td>-</td></tr> <tr><td>-</td><td>-</td><td>-</td><td>-</td></tr> <tr><td>-</td><td>-</td><td>-</td><td>-</td></tr> <tr><td>-</td><td>-</td><td>-</td><td>-</td></tr> <tr><td>-</td><td>-</td><td>-</td><td>-</td></tr> <tr><td>-</td><td>-</td><td>-</td><td>-</td></tr> <tr><td>-</td><td>-</td><td>-</td><td>-</td></tr> </tbody> </table>						REV	DESCRIPTION	DATE	ENG	-	-	-	-	-	-	-	-	-	-	-	-	-	-	-	-	-	-	-	-	-	-	-	-	-	-	-	-							
REV	DESCRIPTION	DATE						ENG																																						
-	-	-						-																																						
-	-	-	-																																											
-	-	-	-																																											
-	-	-	-																																											
-	-	-	-																																											
-	-	-	-																																											
-	-	-	-																																											
<table border="1"> <thead> <tr> <th>REVISION HISTORY</th> <th>DATE</th> <th>ENG</th> </tr> </thead> <tbody> <tr><td>-</td><td>-</td><td>-</td></tr> <tr><td>-</td><td>-</td><td>-</td></tr> <tr><td>-</td><td>-</td><td>-</td></tr> <tr><td>-</td><td>-</td><td>-</td></tr> <tr><td>-</td><td>-</td><td>-</td></tr> <tr><td>-</td><td>-</td><td>-</td></tr> <tr><td>-</td><td>-</td><td>-</td></tr> <tr><td>-</td><td>-</td><td>-</td></tr> </tbody> </table>		REVISION HISTORY	DATE	ENG	-	-	-	-	-	-	-	-	-	-	-	-	-	-	-	-	-	-	-	-	-	-	-	-	<table border="1"> <tr> <td>WWW.ATTABOX.COM</td> <td>DATE</td> <td>CUSTOMER</td> <td>DWG</td> </tr> <tr> <td>DRH</td> <td>06/01/17</td> <td></td> <td>AH18164C</td> </tr> <tr> <td>SCALE</td> <td>DESCRIPTION</td> <td>PART NUMBER</td> <td></td> </tr> <tr> <td>DO NOT SCALE</td> <td>STANDARD ENCLOSURE</td> <td>ATAH18164C</td> <td></td> </tr> </table>		WWW.ATTABOX.COM	DATE	CUSTOMER	DWG	DRH	06/01/17		AH18164C	SCALE	DESCRIPTION	PART NUMBER		DO NOT SCALE	STANDARD ENCLOSURE	ATAH18164C	
REVISION HISTORY	DATE	ENG																																												
-	-	-																																												
-	-	-																																												
-	-	-																																												
-	-	-																																												
-	-	-																																												
-	-	-																																												
-	-	-																																												
-	-	-																																												
WWW.ATTABOX.COM	DATE	CUSTOMER	DWG																																											
DRH	06/01/17		AH18164C																																											
SCALE	DESCRIPTION	PART NUMBER																																												
DO NOT SCALE	STANDARD ENCLOSURE	ATAH18164C																																												



PARTS LIST				
ITEM	QTY	PART NUMBER	DESCRIPTION	DESCRIPTION
1	1	WPPC18164BOX	AH18164C MOLDED BOX	
2	1	WPPCC181610U	AH181610C GASKETED COVER	
3	8	RMAHINS10-32UNF	#10-32 UNF COVER & BACK PANEL BRASS INSERT	
4	1	RMLABBLANK3X2	AH18164C LABEL	
5	1	WPPCACCKITNOFT	POLYCARBONATE ACCESSORY KIT WITHOUT MOUNTING FEET	
6	4	RMAHLATCH-001	LATCH	

THIS DRAWING IS THE SOLE AND EXCLUSIVE PROPERTY OF ROBROY ENCLOSURES. NO PART OF THIS DRAWING MAY BE REPRODUCED, DISTRIBUTED, OR PUBLICALLY DISPLAYED IN ANY FORM OR BY ANY MEANS WITHOUT THE EXPRESS WRITTEN PERMISSION OF ROBROY ENCLOSURES. ALL RIGHTS RESERVED. UNDER THE COPYRIGHT LAWS. COPYRIGHT © 2017 ROBROY ENCLOSURES.

SPECIAL REQUIREMENTS

ASSEMBLY:
 1. (1) POLYCARBONATE ACCESSORY KIT WITHOUT MOUNTING FEET (WPPCACCKITNOFT) SHALL BE PACKAGED LOOSELY INSIDE ENCLOSURE
 2. (1) STYROFOAM SHEET SHALL BE PLACED ON TOP OF COVER INSIDE CARTON

HARDWARE INCLUDED:
 (4) #10-32 x 3/8 PAN HEAD PHILLIPS MACHINE SCREW (RMSC10/32X3/8SS)
 (4) #10-32 x 3/8 PAN HEAD SCREW (RMSC10/32X3/8ZN)
 (4) #10 WASHER (RMAWAS10ZN)

NEMA 250: TYPE 1, 3R, 4, 4X, 6P, 12
 IEC 60529: IP66, IP68
 COLOR: N/A
 COLOR STANDARD: PANTONE 7541 C

STANDARD P/N: AH18164C
 CUSTOMER DWG:

MATERIAL: POLYCARBONATE

DRAWN BY		DATE	CUSTOMER	DWG
DRH		06/01/17		AH18164C
SCALE	DESCRIPTION	PART NUMBER		
DO NOT SCALE	STANDARD ENCLOSURE	ATAH18164C		

AttaBox
 Robroy Enclosures
 500 Maple Street
 Belding, Michigan 48809
 Phone: 616-794-0700
 Fax: 616-749-3378