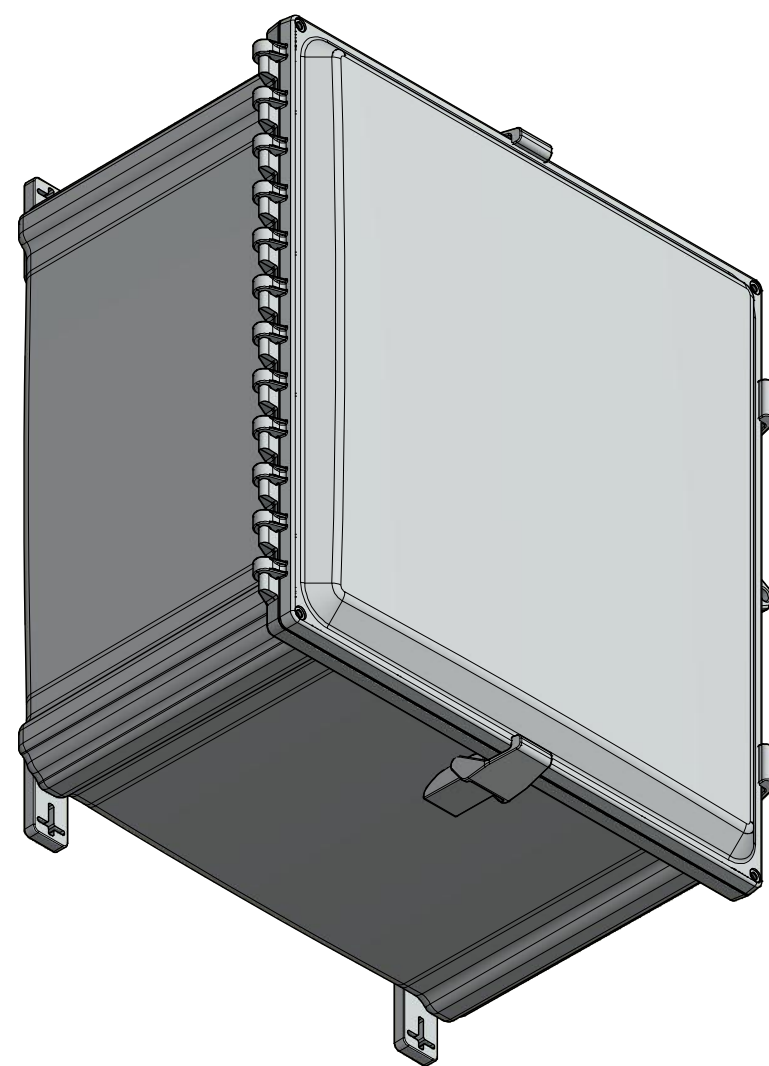
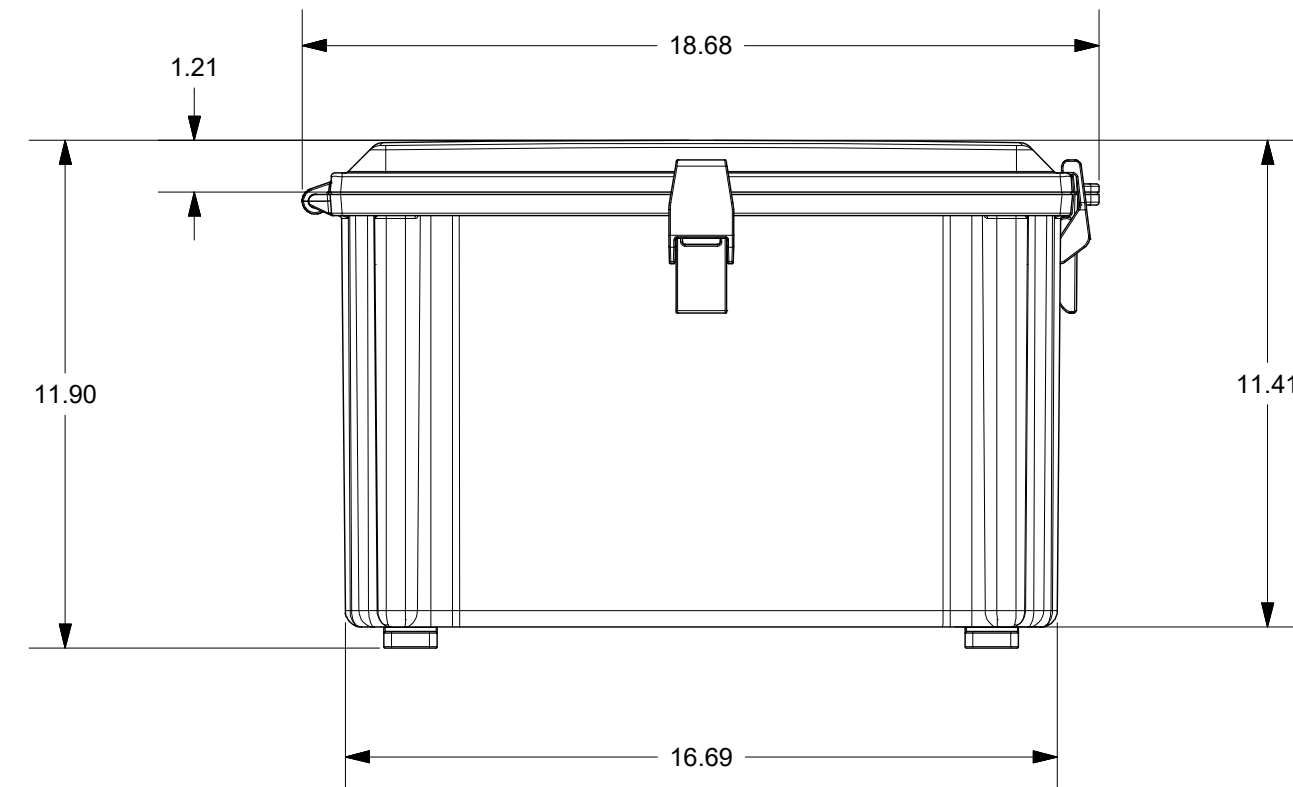
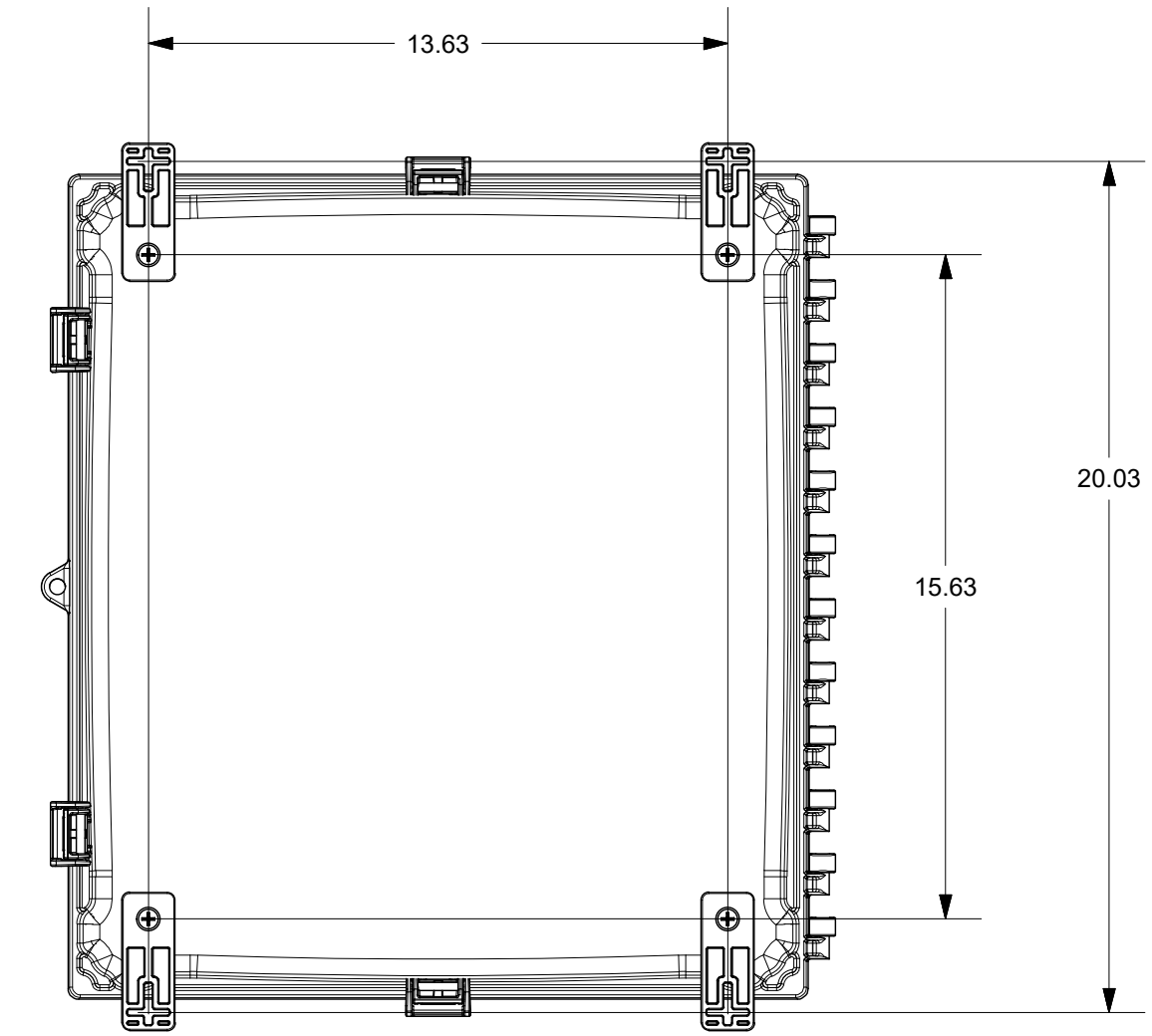
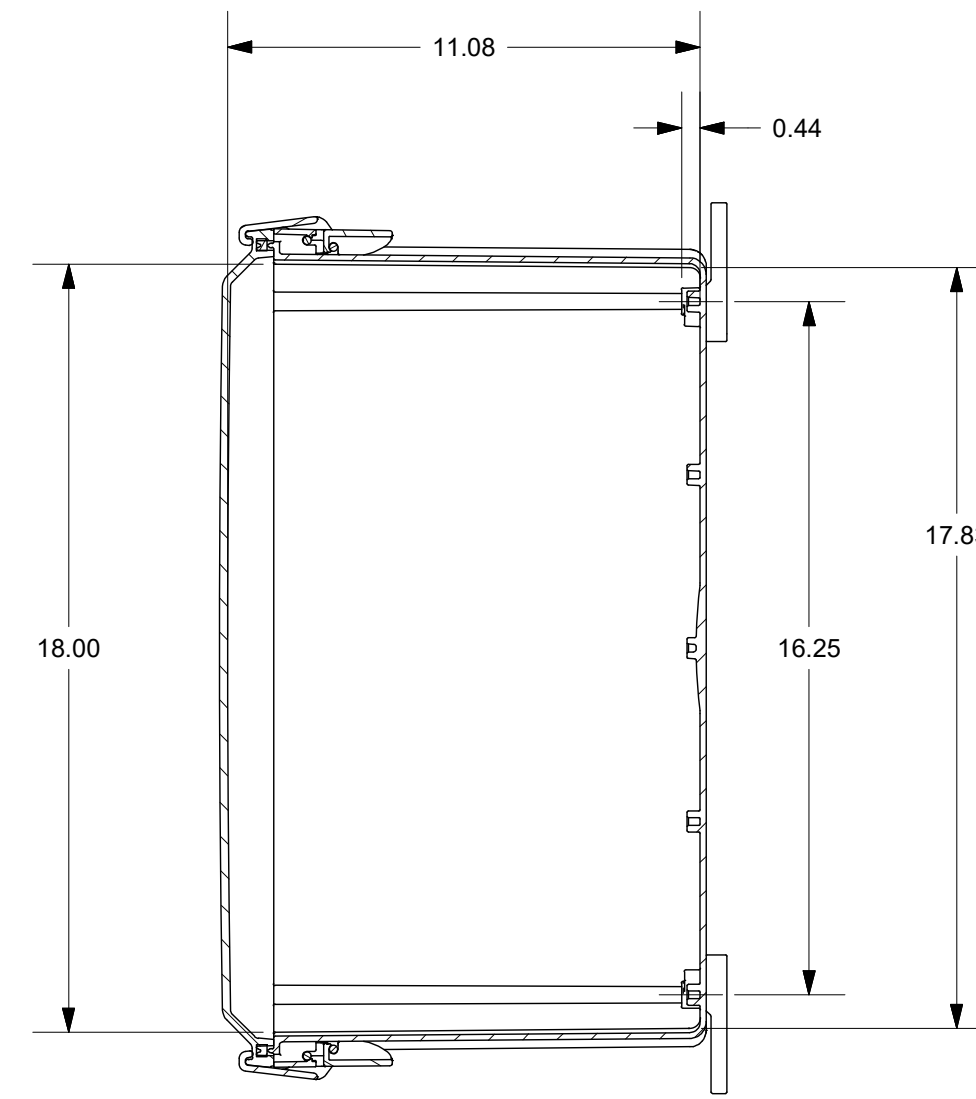
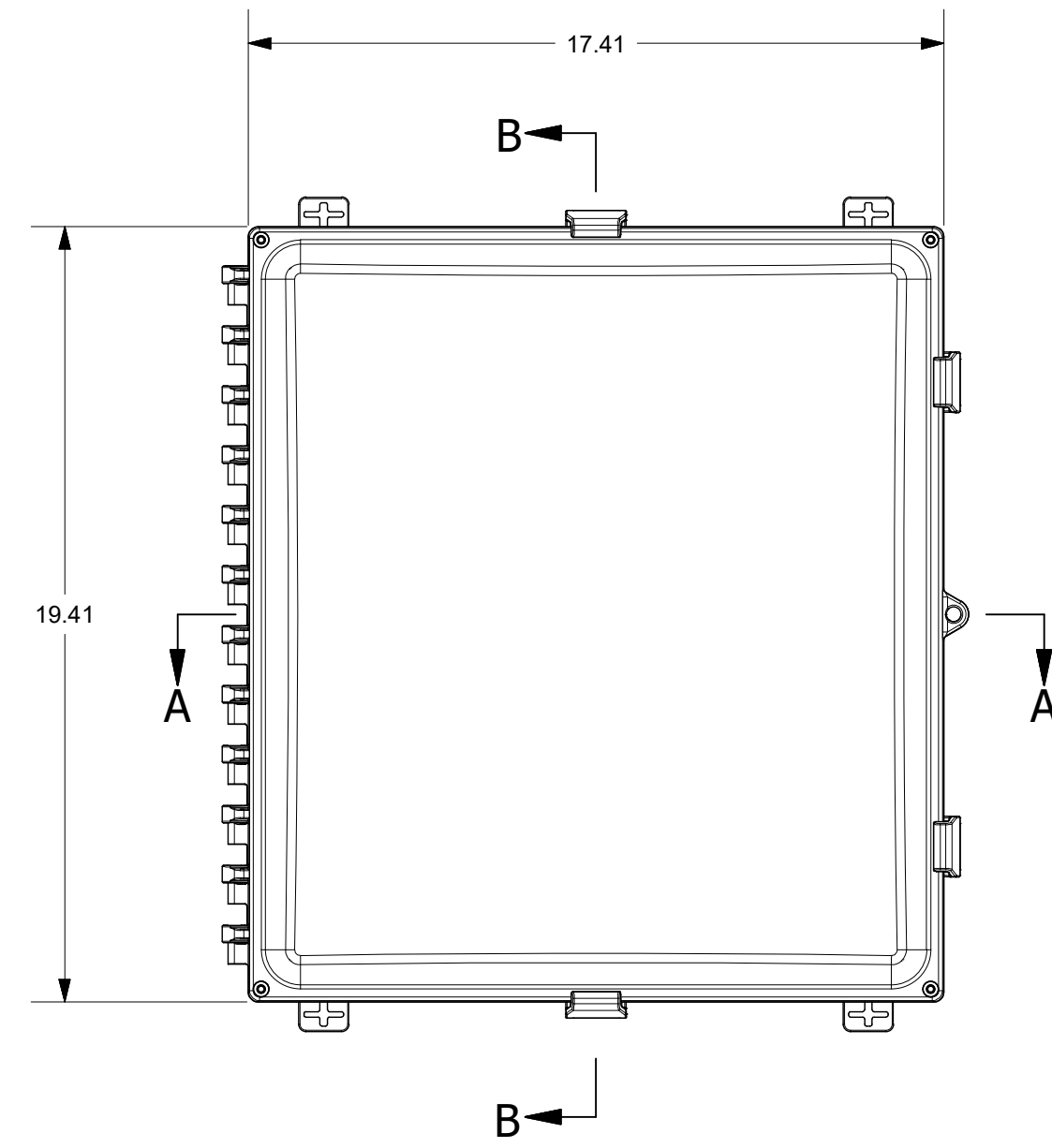
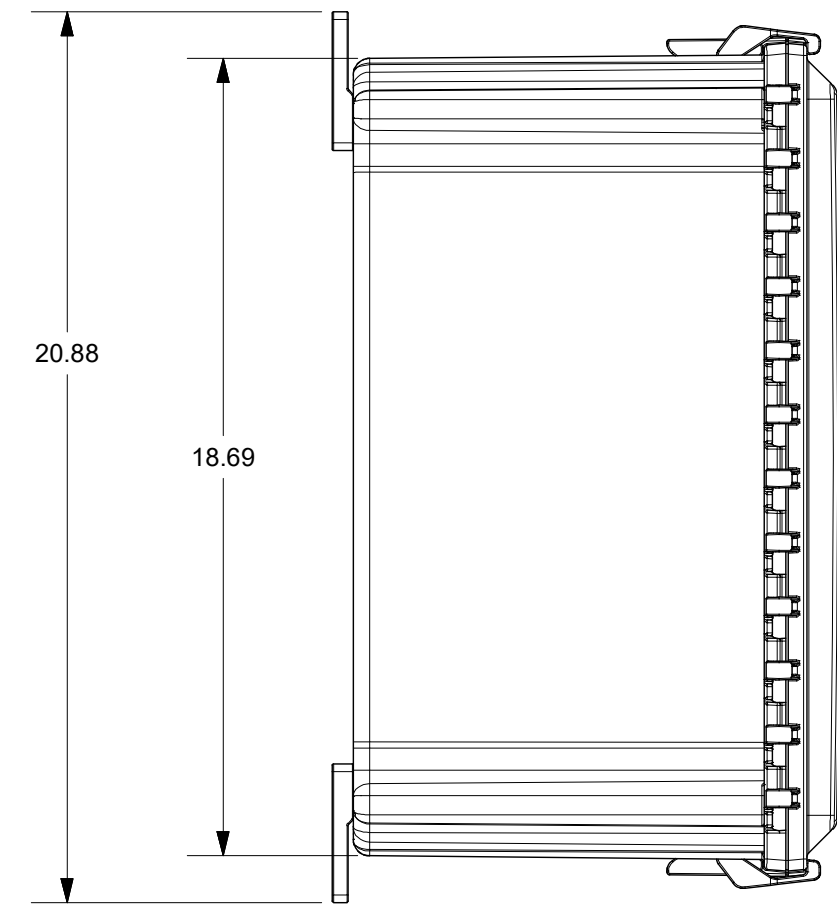


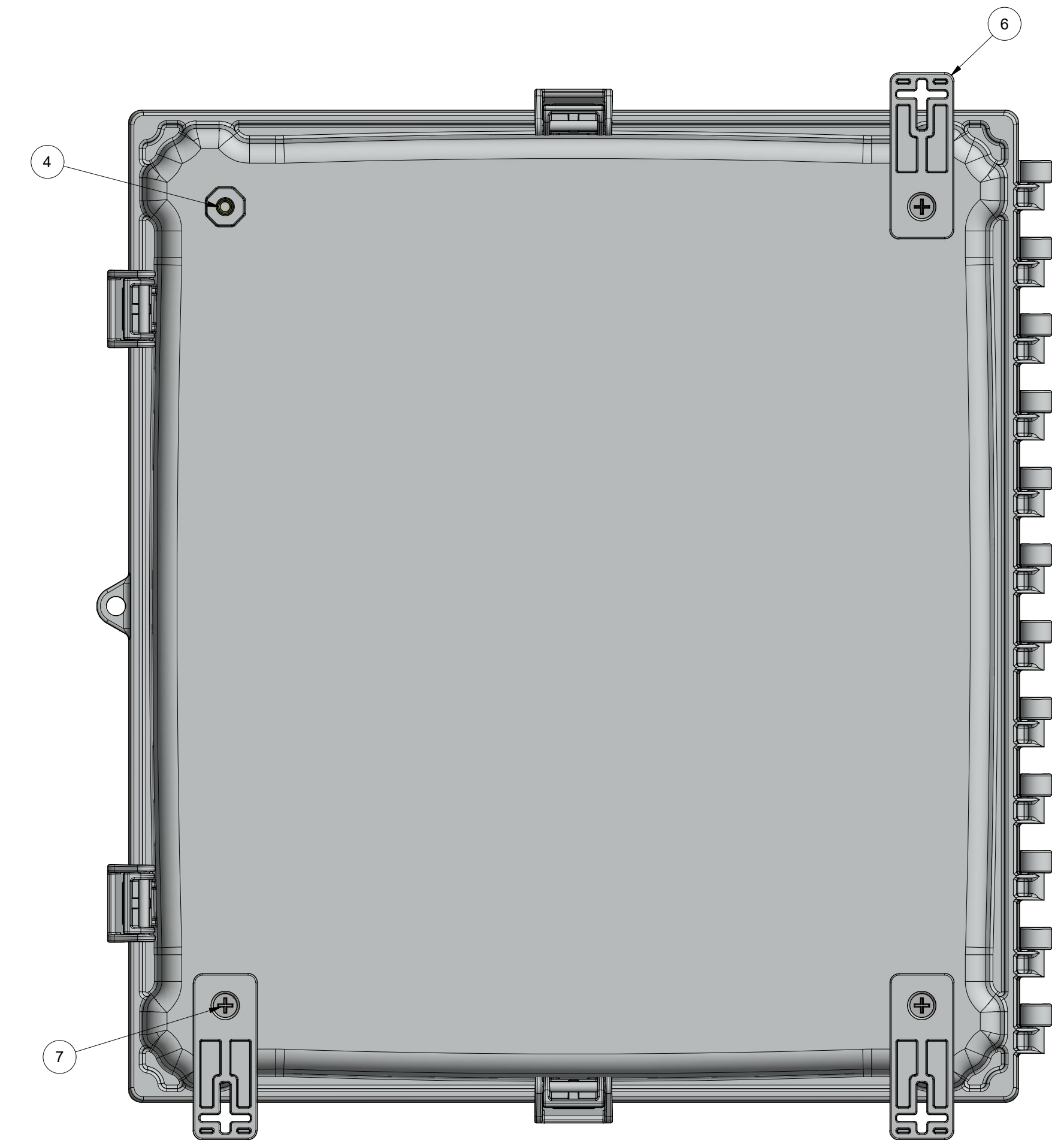
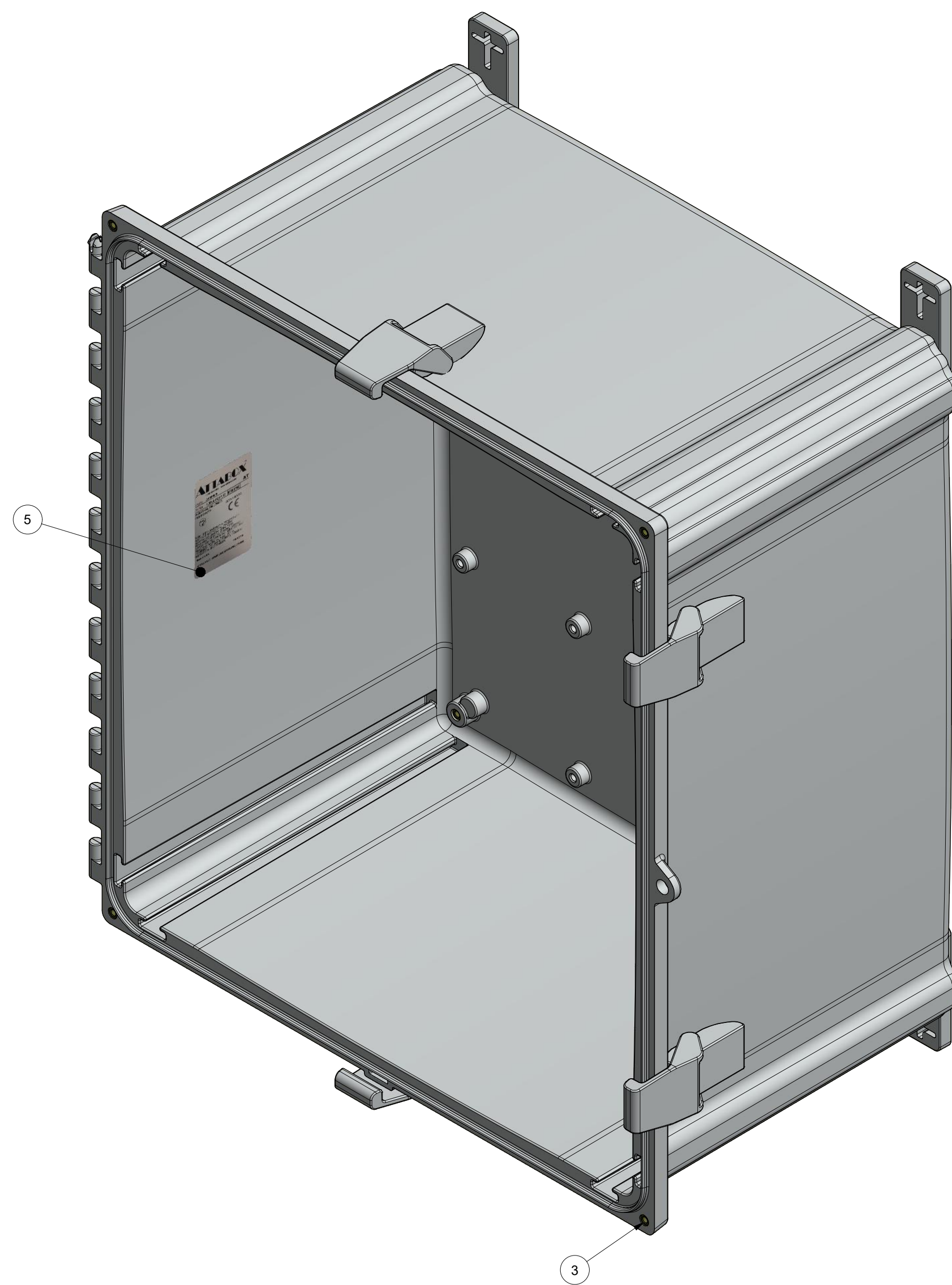
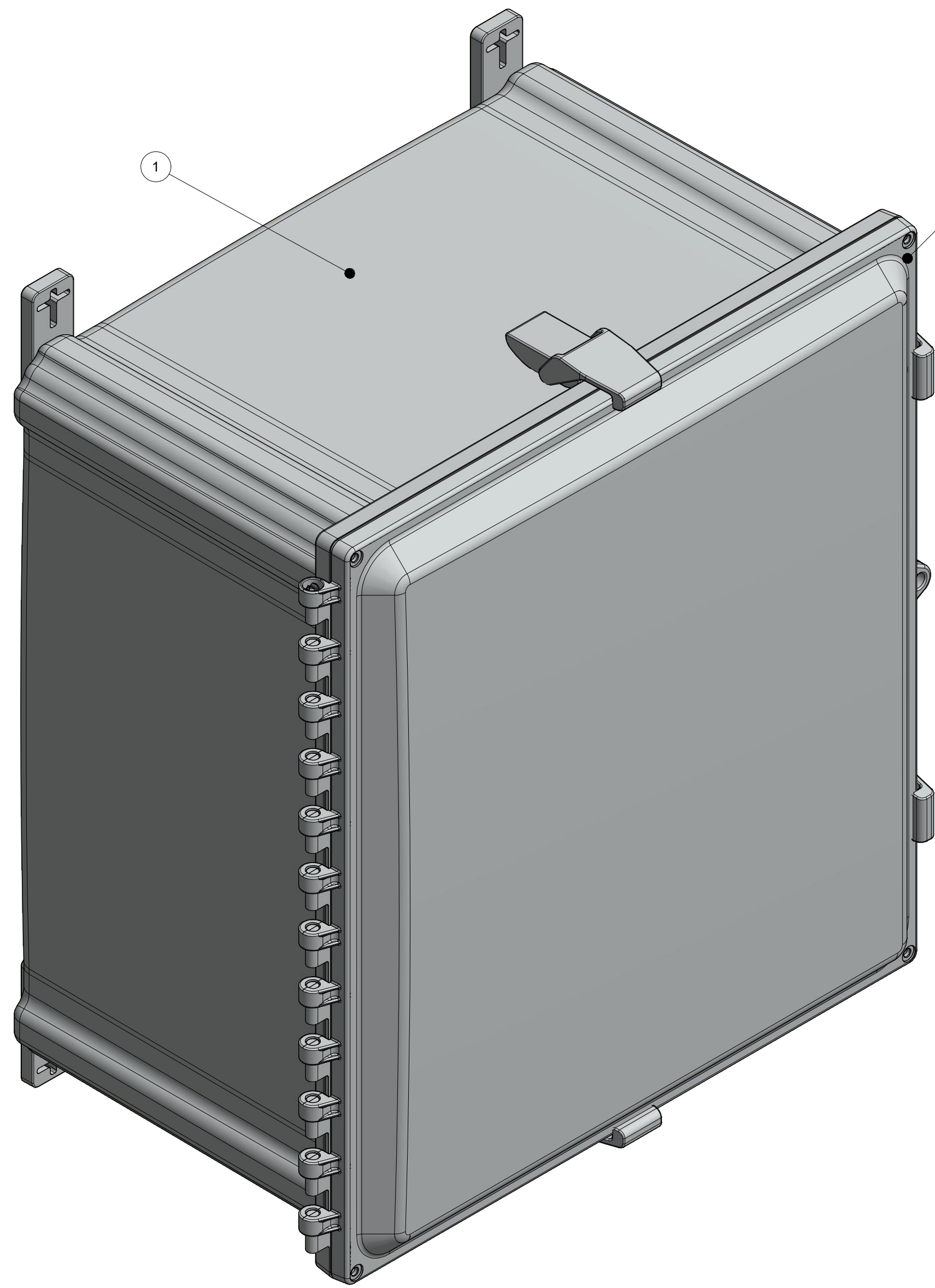
FOR REFERENCE ONLY
MOUNTING FEET SHOWN AS INSTALLED



THIS DRAWING IS THE SOLE AND EXCLUSIVE PROPERTY OF ROBROY ENCLOSURES. NO PART OF THIS DRAWING MAY BE REPRODUCED, DISTRIBUTED, OR PUBLICALLY DISPLAYED IN ANY FORM OR BY ANY MEANS WITHOUT THE EXPRESS WRITTEN PERMISSION OF ROBROY ENCLOSURES. ALL RIGHTS RESERVED. UNDER THE COPYRIGHT LAWS. COPYRIGHT © 2016 ROBROY ENCLOSURES

- SPECIAL REQUIREMENTS**
- ASSEMBLY:
- (1) ACCESSORY KIT (ATAHAK) SHALL BE PACKAGED LOOSELY INSIDE ENCLOSURE
 - (1) STYROFOAM SHEET SHALL BE PLACED ON TOP OF COVER INSIDE CARTON
- HARDWARE INCLUDED:
- (4) #14-20 x 1/2 FLAT HEAD PHILLIPS MACHINE SCREW (RMSC114-20X.5FLPH)
 - (4) #10-32 x 5/8 PAN HEAD PHILLIPS MACHINE SCREW (RMSC1032X5/8SS)
 - (4) #10-32 x 3/8 PAN HEAD SCREW (RMSC1032X3/8ZN)
 - (4) #10 WASHER (RMWAS10ZN)

NEMA 250: TYPE 1, 3R, 4, 4X, 6P, 12 IEC 60529: IP66, IP68		STANDARD P/N: AH181610	ALL DIMENSIONS ARE IN INCHES UNLESS OTHERWISE SPECIFIED		TOLERANCES UNLESS SPECIFIED	.XX ± 0.03	.XXX ± 0.010
COLOR: N/A COLOR STANDARD: PANTONE 7541 C		CUSTOMER DWG:	<p>Robroy Enclosures 500 Maple Street Belding, Michigan 48809 Phone: 616-794-0700 Fax: 616-749-3378</p>				
MATERIAL: POLYCARBONATE							
REVISION HISTORY			DRAWN BY: AJC		DATE: 11/23/16		CUSTOMER
REV	DESCRIPTION	DATE	ENG	SCALE		DESCRIPTION	
-	-	-	-	DO NOT SCALE		STANDARD ENCLOSURE	
PART NUMBER			ATAH181610				



PARTS LIST			
ITEM	QTY	PART NUMBER	DESCRIPTION
1	1	WPPC181610BOX	AH181610 MOLDED BOX
2	1	WPPC181610U	AH181610 GASKETED COVER
3	8	RMAHINS10-32UNF	#10-32 UNF COVER & BACK PANEL BRASS INSERT
4	4	RMAHINS1/4-20UNC	1/4-20 MOUNTING FOOT BRASS INSERT
5	1	RMLABBLANK3X2	AH181610 LABEL
6	4	RMAHFOOT-001	MOUNTING FOOT (INCLUDED WITH ATAHAK)
7	4	RMSC1/4-20X.5FLPH	1/4-20 x 1/2 FLAT HEAD PHILLIPS MACHINE SCREW
8	1	ATAHAK	ACCESSORY KIT (INCLUDES MOUNTING FEET)

THIS DRAWING IS THE SOLE AND EXCLUSIVE PROPERTY OF ROBROY ENCLOSURES. NO PART OF THIS DRAWING MAY BE REPRODUCED, DISTRIBUTED, OR PUBLICALLY DISPLAYED IN ANY FORM OR BY ANY MEANS WITHOUT THE EXPRESS WRITTEN PERMISSION OF ROBROY ENCLOSURES. ALL RIGHTS RESERVED. UNDER THE COPYRIGHT LAWS. COPYRIGHT © 2016 ROBROY ENCLOSURES.

SPECIAL REQUIREMENTS

ASSEMBLY:

1 (1) ACCESSORY KIT (ATAHAK) SHALL BE PACKAGED LOOSELY INSIDE ENCLOSURE

2 (1) STYROFOAM SHEET SHALL BE PLACED ON TOP OF COVER INSIDE CARTON

HARDWARE INCLUDED:

- (4) #1/4-20 x 1/2 FLAT HEAD PHILLIPS MACHINE SCREW (RMSC1/4-20X.5FLPH)
- (4) #10-32 x 3/8 PAN HEAD PHILLIPS MACHINE SCREW (RMSC10/32X5/8SS)
- (4) #10-32 x 3/8 PAN HEAD SCREW (RMSC10/32X3/8ZN)
- (4) #10 WASHER (RMWAS10ZN)

NEMA 250: TYPE 1, 3R, 4, 4X, 6P, 12		STANDARD P/N: AH181610		ALL DIMENSIONS ARE IN INCHES UNLESS OTHERWISE SPECIFIED		TOLERANCES UNLESS SPECIFIED		.XX .XXX ± 0.03 ± 0.010	
IEC 60529: IP66, IP68		CUSTOMER DWG:				Robroy Enclosures 500 Maple Street Belding, Michigan 48809 Phone: 616-794-0700 Fax: 616-749-3378		DWG	
COLOR: N/A COLOR STANDARD: PANTONE 7541 C		MATERIAL: POLYCARBONATE				DRAWN BY: AJC DATE: 11/23/16		CUSTOMER:	
				SCALE		DESCRIPTION		PART NUMBER	
				DO NOT SCALE		STANDARD ENCLOSURE		ATAH181610	