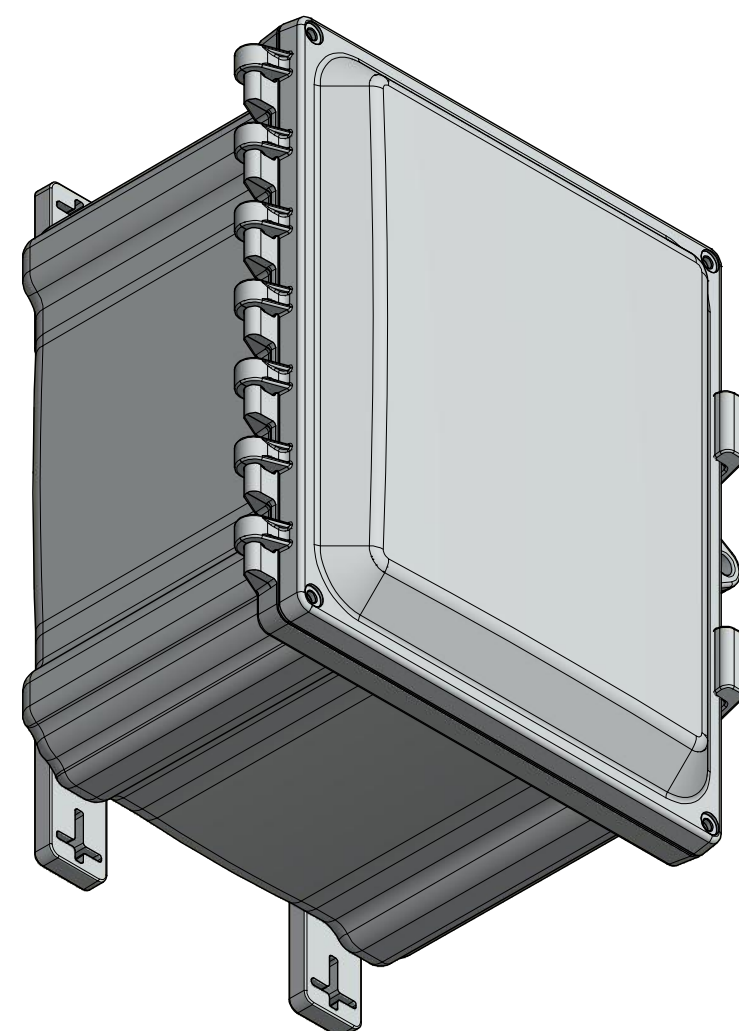
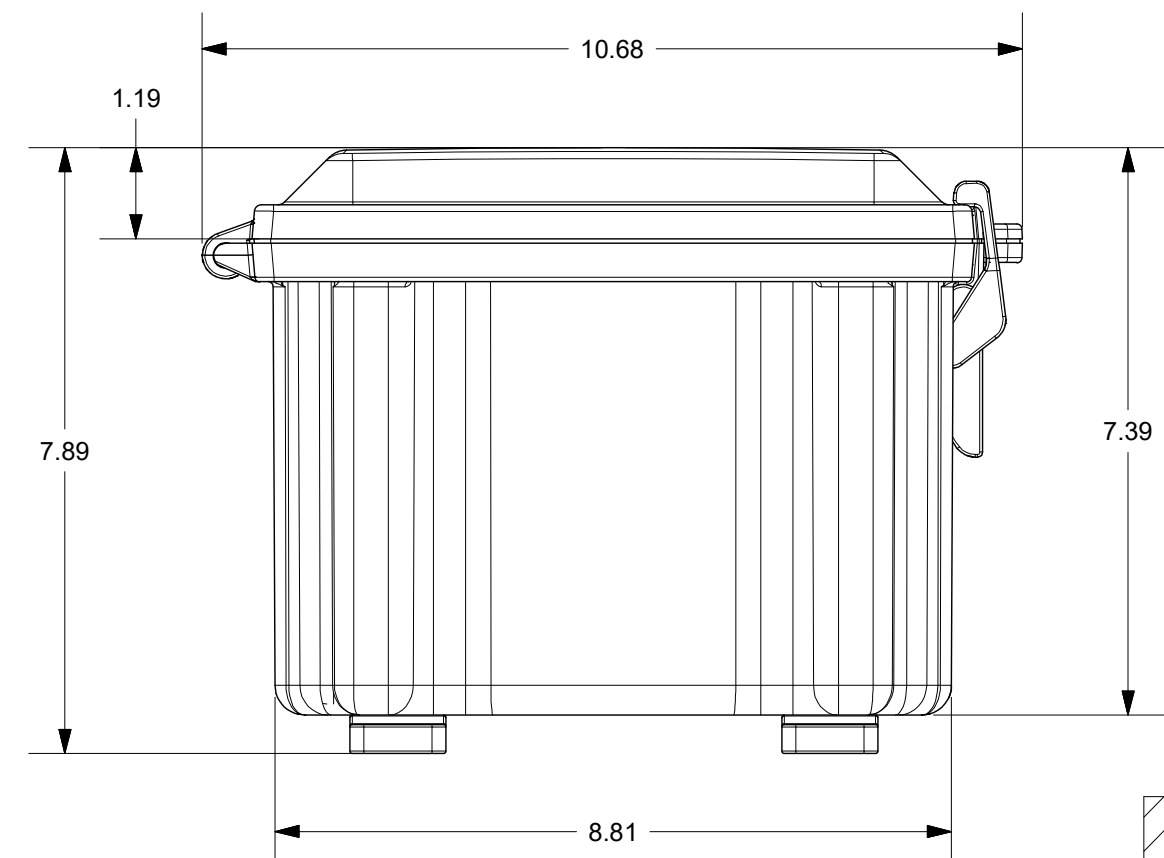
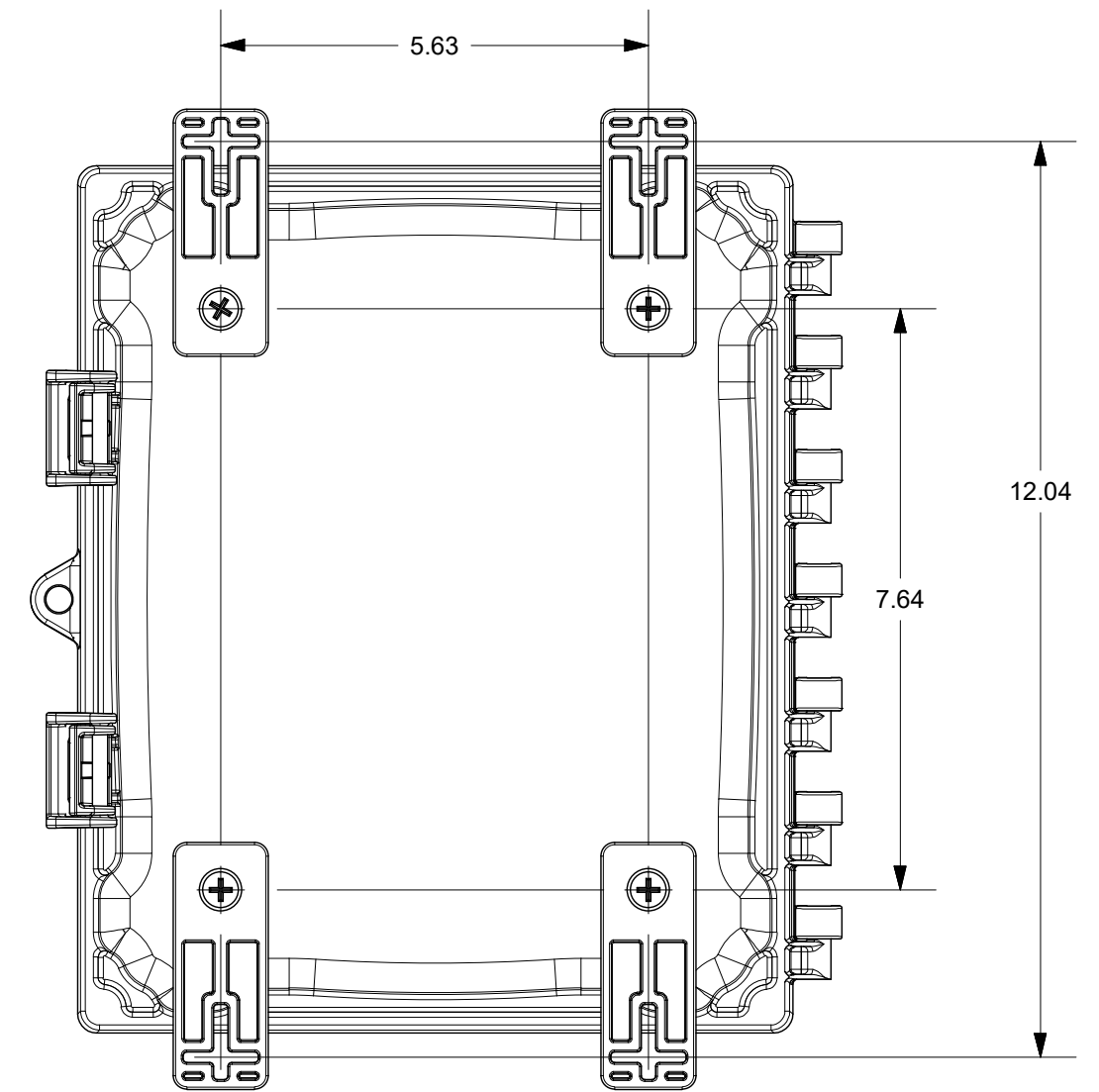
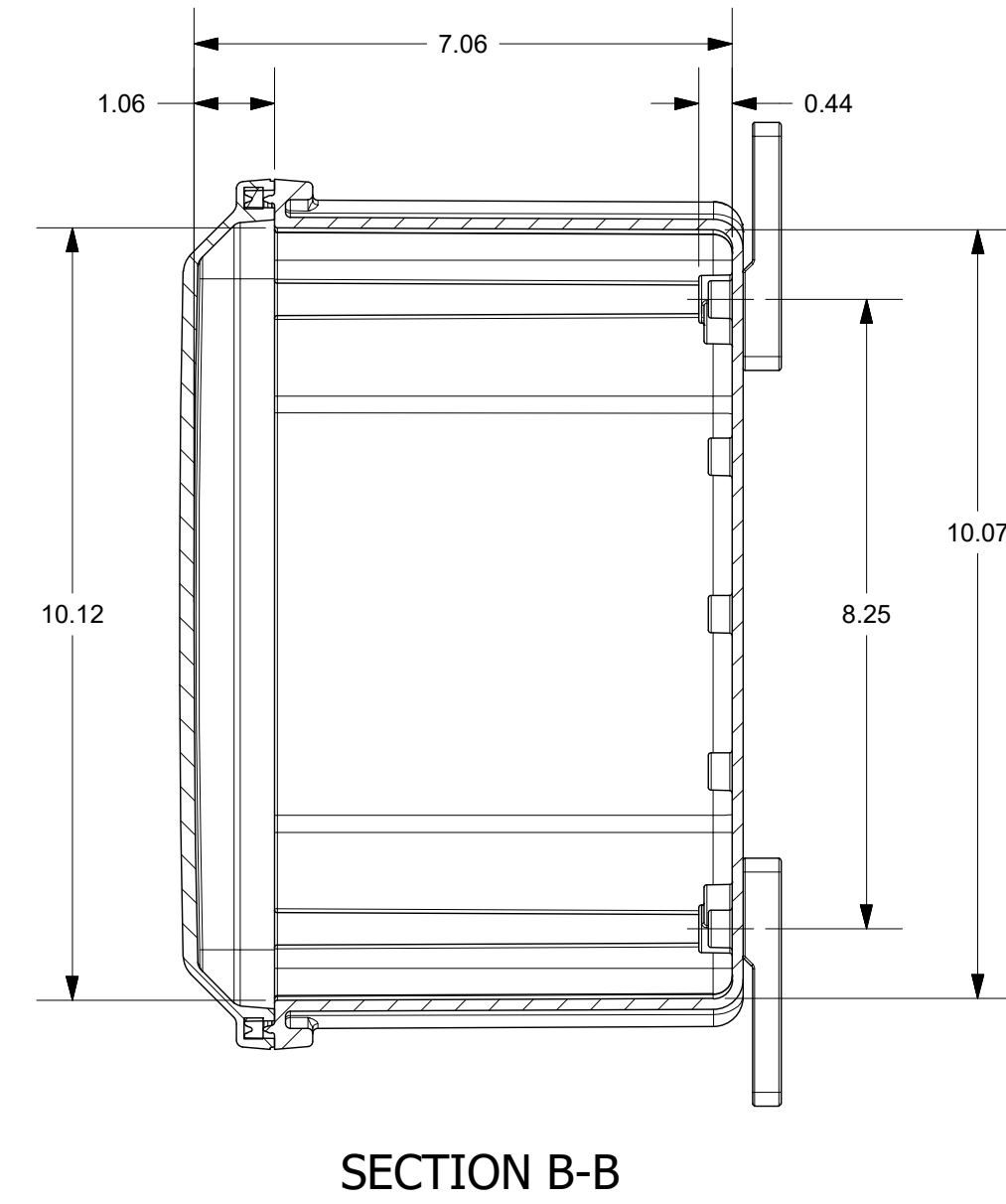
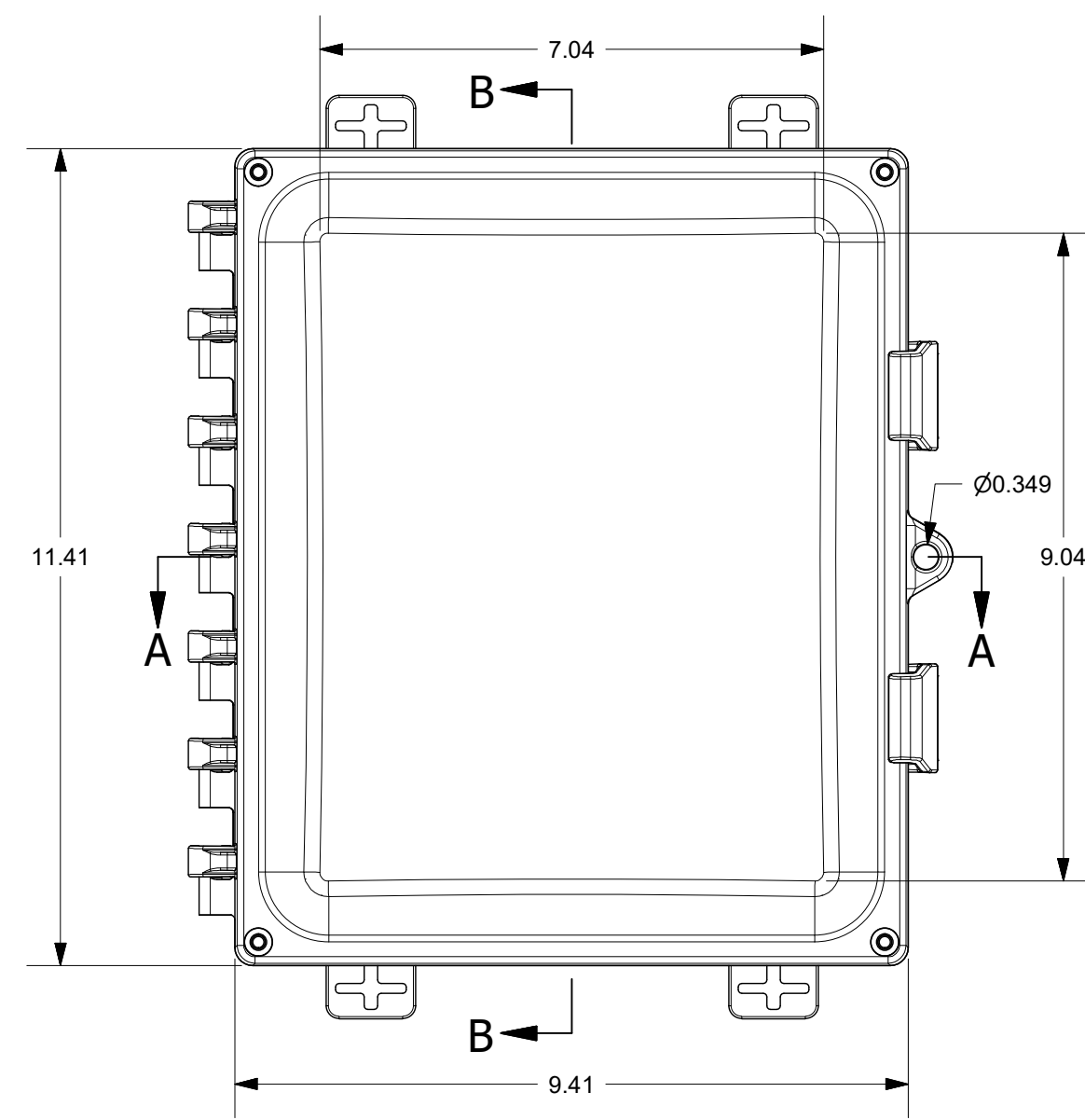
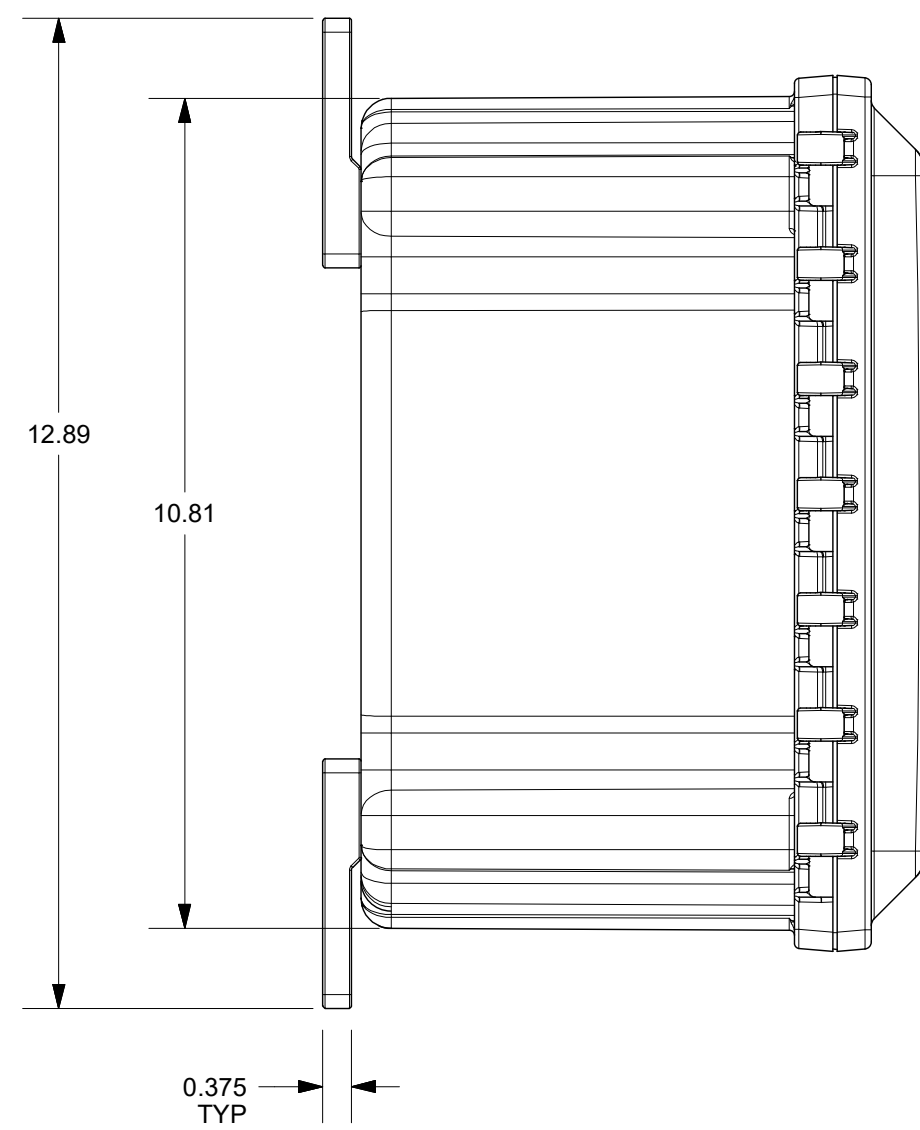


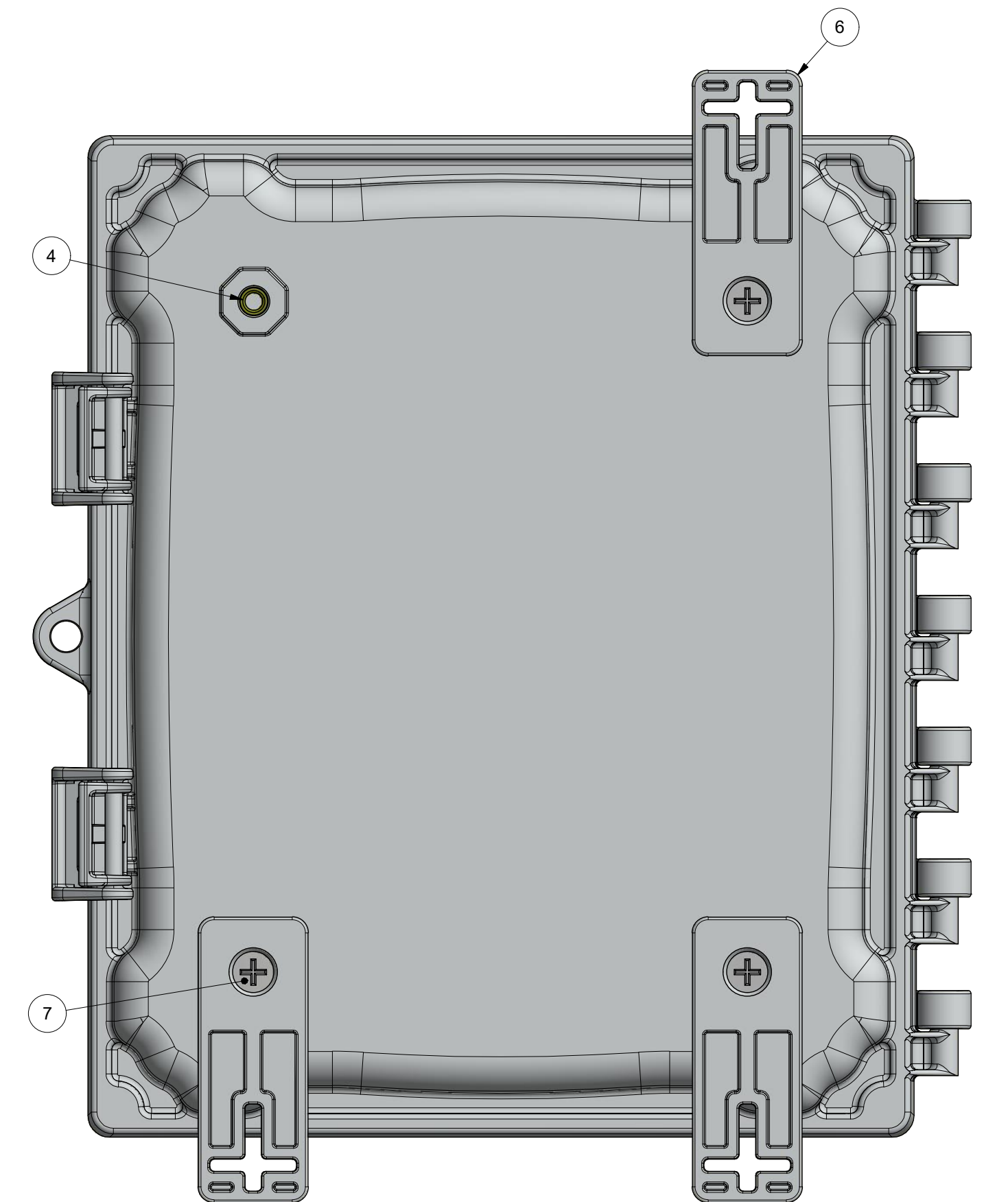
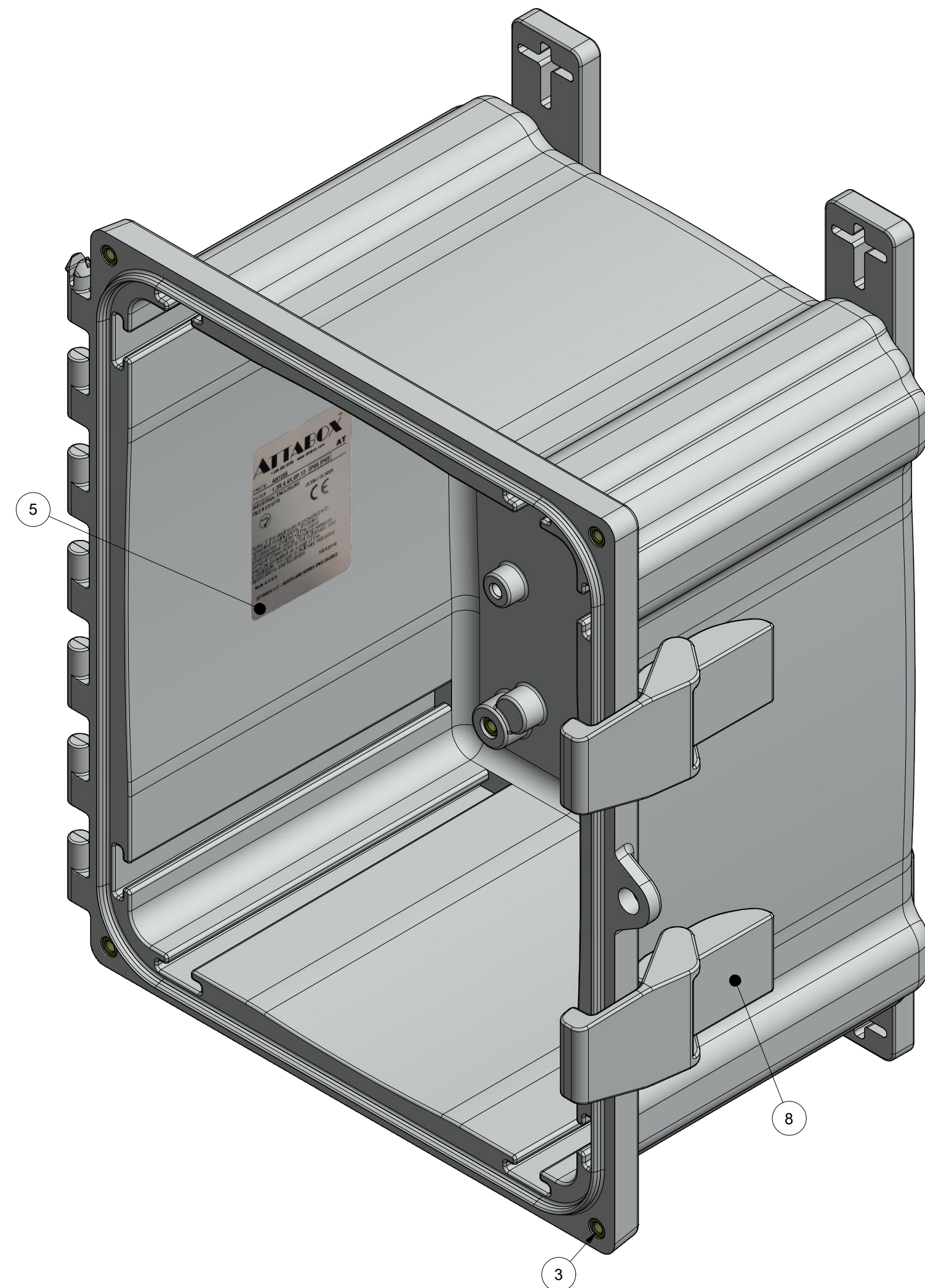
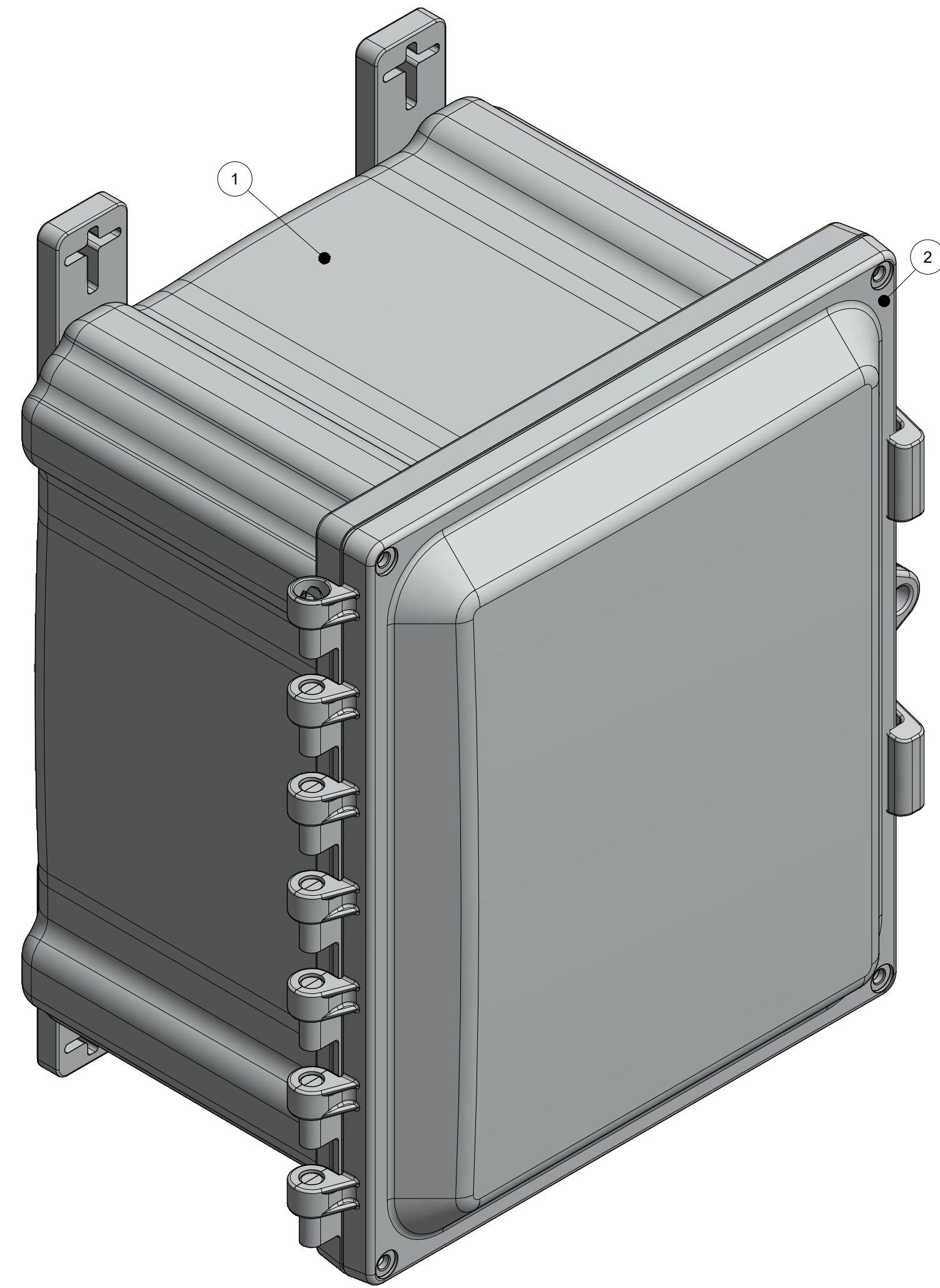
FOR REFERENCE ONLY
MOUNTING FEET SHOWN AS INSTALLED



THIS DRAWING IS THE SOLE AND EXCLUSIVE PROPERTY OF ROBROY ENCLOSURES. NO PART OF THIS DRAWING MAY BE REPRODUCED, DISTRIBUTED, OR PUBLICALLY DISPLAYED IN ANY FORM OR BY ANY MEANS WITHOUT THE EXPRESS WRITTEN PERMISSION OF ROBROY ENCLOSURES. ALL RIGHTS RESERVED. UNDER THE COPYRIGHT LAWS. COPYRIGHT © 2017 ROBROY ENCLOSURES

- SPECIAL REQUIREMENTS**
- ASSEMBLY:**
- 1. (1) POLYCARBONATE ACCESSORY KIT (WPPCACCKIT) SHALL BE PACKAGED LOOSELY INSIDE ENCLOSURE
- HARDWARE INCLUDED:**
- (4) #1/4-20 x 1/2 FLAT HEAD PHILLIPS MACHINE SCREW (RMSC1/4-20X.5FLPH)
 - (4) #10-32 x 5/8 PAN HEAD PHILLIPS MACHINE SCREW (RMSC10/32X5/8SS)
 - (4) #10-32 x 3/8 PAN HEAD SCREW (RMSC10/32X3/8ZN)
 - (4) #10 WASHER (RMWAS10ZN)
- 2. (1) STYROFOAM SHEET SHALL BE PLACED ON TOP OF COVER INSIDE CARTON

NEMA 250: TYPE 1, 3R, 4, 4X, 6P, 12		STANDARD P/N: AH1086		ALL DIMENSIONS ARE IN INCHES UNLESS OTHERWISE SPECIFIED		TOLERANCES UNLESS SPECIFIED		.XX ± 0.03 .XXX ± 0.010	
IEC 60529: IP66, IP68		CUSTOMER DWG:							
COLOR: N/A									
COLOR STANDARD: PANTONE 7541 C									
MATERIAL: POLYCARBONATE									
REVISION HISTORY									
REV	DESCRIPTION	DATE	ENG	DRAWN BY		DATE		CUSTOMER	
-	-	-	-	DRH		06/07/17			
-	-	-	-	SCALE		DO NOT SCALE		DESCRIPTION	
-	-	-	-	PART NUMBER		STANDARD ENCLOSURE		AH1086	



BACK SIDE
 (1) MOUNTING FOOT REMOVED FOR CLARITY
 TORQUE SCREWS TO 10-14 IN.-LBS.

		PARTS LIST	
ITEM	QTY	PART NUMBER	DESCRIPTION
1	1	WPPC1086BOX	AH1086 MOLDED BOX
2	1	WPPC1084U	AH1084 GASKETED COVER
3	8	RMAHINS10-32UNF	#10-32 UNF COVER & BACK PANEL BRASS INSERT
4	4	RMAHINS1/4-20UNC	1/4-20 UNC MOUNTING FOOT BRASS INSERT
5	1	RMLABBLANK3X2	AH1086 LABEL
6	4	RMAHFOOT-001	MOUNTING FOOT (INCLUDED WITH WPPCACCKIT)
7	4	RMSC1/4-20X.5FLPH	1/4-20 x 1/2 FLAT HEAD PHILLIPS MACHINE SCREW
8	2	RMAHLATCH-001	LATCH
9	1	WPPCACCKIT	POLYCARBONATE ACCESSORY KIT (INCLUDES MOUNTING FEET)

THIS DRAWING IS THE SOLE AND EXCLUSIVE PROPERTY OF ROBROY ENCLOSURES. NO PART OF THIS DRAWING MAY BE REPRODUCED, DISTRIBUTED, OR PUBLICALLY DISPLAYED IN ANY FORM OR BY ANY MEANS WITHOUT THE EXPRESS WRITTEN PERMISSION OF ROBROY ENCLOSURES. ALL RIGHTS RESERVED. UNDER THE COPYRIGHT LAWS. COPYRIGHT © 2017 ROBROY ENCLOSURES

SPECIAL REQUIREMENTS


ASSEMBLY:
 1. (1) POLYCARBONATE ACCESSORY KIT (WPPCACCKIT) SHALL BE PACKAGED LOOSELY INSIDE ENCLOSURE

HARDWARE INCLUDED:
 (4) #1/4-20 x 1/2 FLAT HEAD PHILLIPS MACHINE SCREW (RMSC1/4-20X.5FLPH)
 (4) #10-32 x 5/8 PAN HEAD PHILLIPS MACHINE SCREW (RMSC10/32X5/8SS)
 (4) #10-32 x 3/8 PAN HEAD SCREW (RMSC10/32X3/8ZN)
 (4) #10 WASHER (RMWAS10ZN)

2. (1) STYROFOAM SHEET SHALL BE PLACED ON TOP OF COVER INSIDE CARTON

NEMA 250: TYPE 1, 3R, 4, 4X, 6P, 12
 IEC 60529: IP66, IP68
 COLOR: N/A
 COLOR STANDARD: PANTONE 7541 C

MATERIAL: POLYCARBONATE

STANDARD P/N:	AH1086	ALL DIMENSIONS ARE IN INCHES UNLESS OTHERWISE SPECIFIED	TOLERANCES UNLESS SPECIFIED	.XX ± 0.03	.XXX ± 0.010		
CUSTOMER DWG:		 Robroy Enclosures 500 Maple Street Belding, Michigan 48809 Phone: 616-794-0700 Fax: 616-749-3378					
DRAWN BY:	DRH					DATE:	06/07/17
SCALE:	DO NOT SCALE					DESCRIPTION:	STANDARD ENCLOSURE
PART NUMBER:		AH1086		DWG:			
				AH1086			