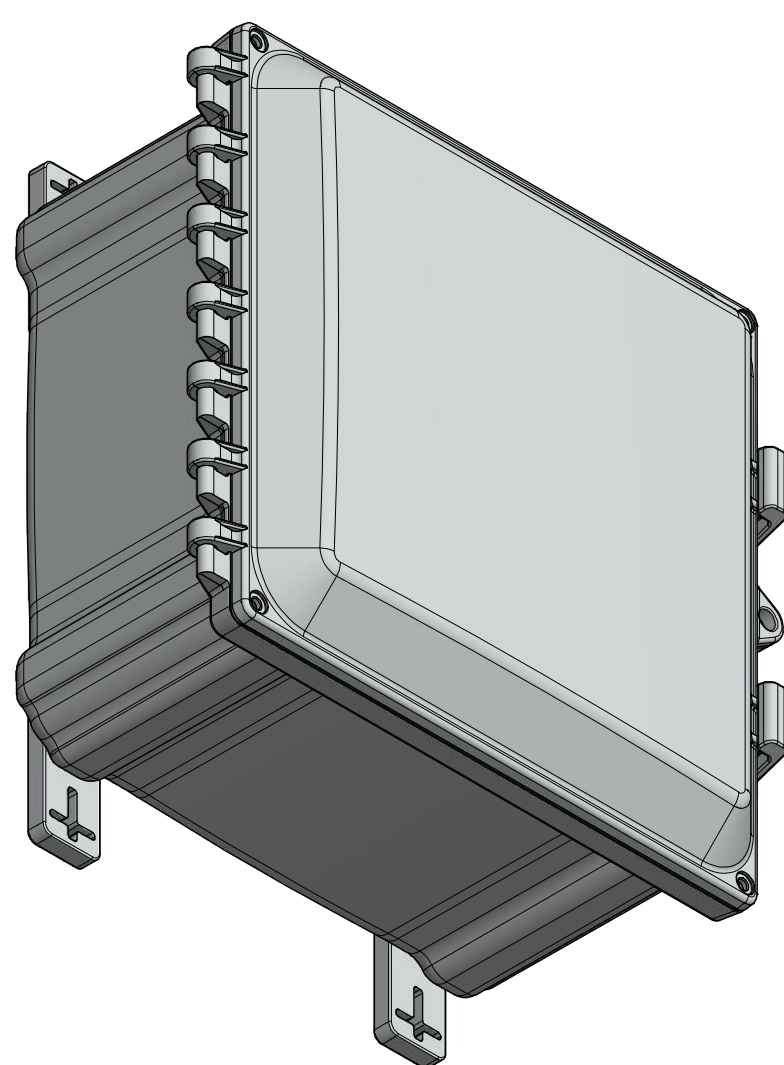
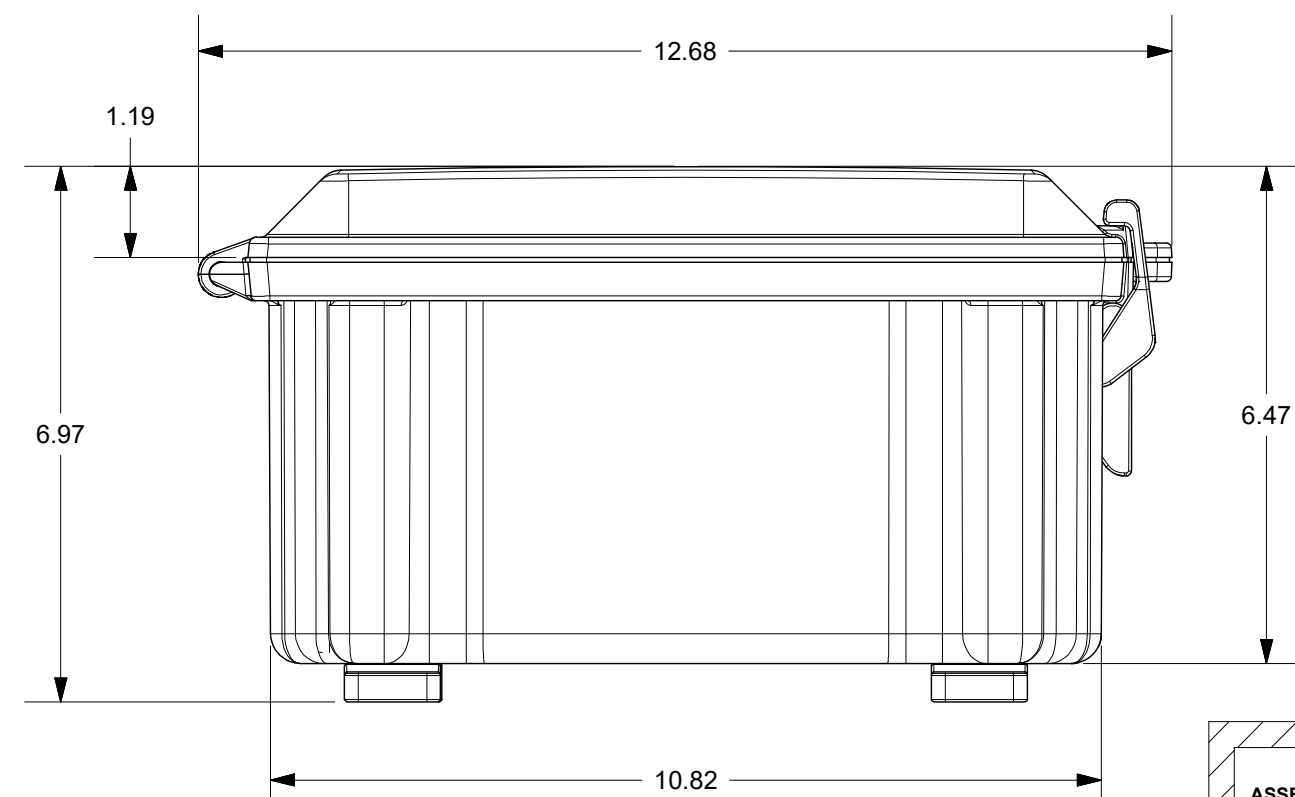
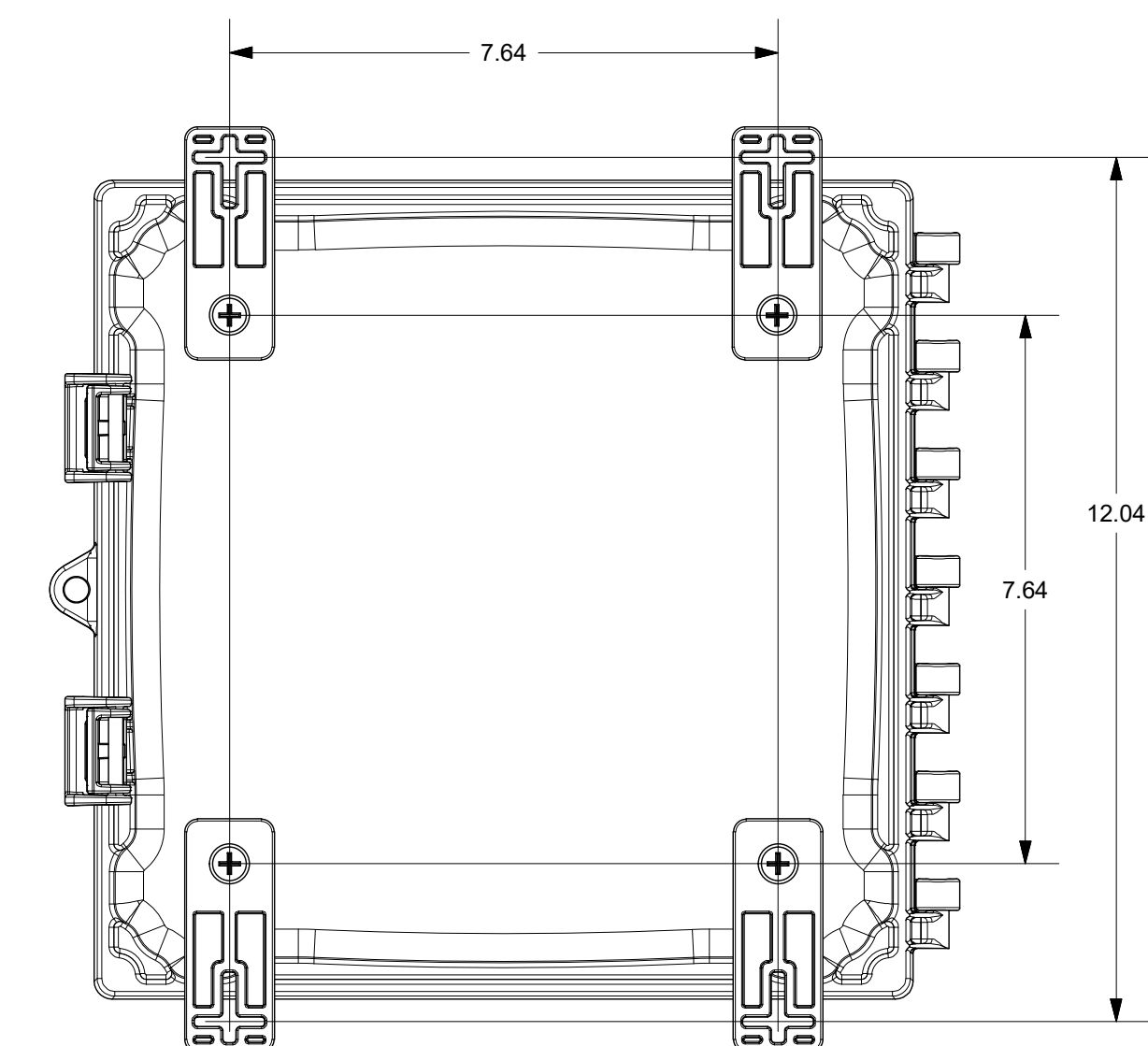
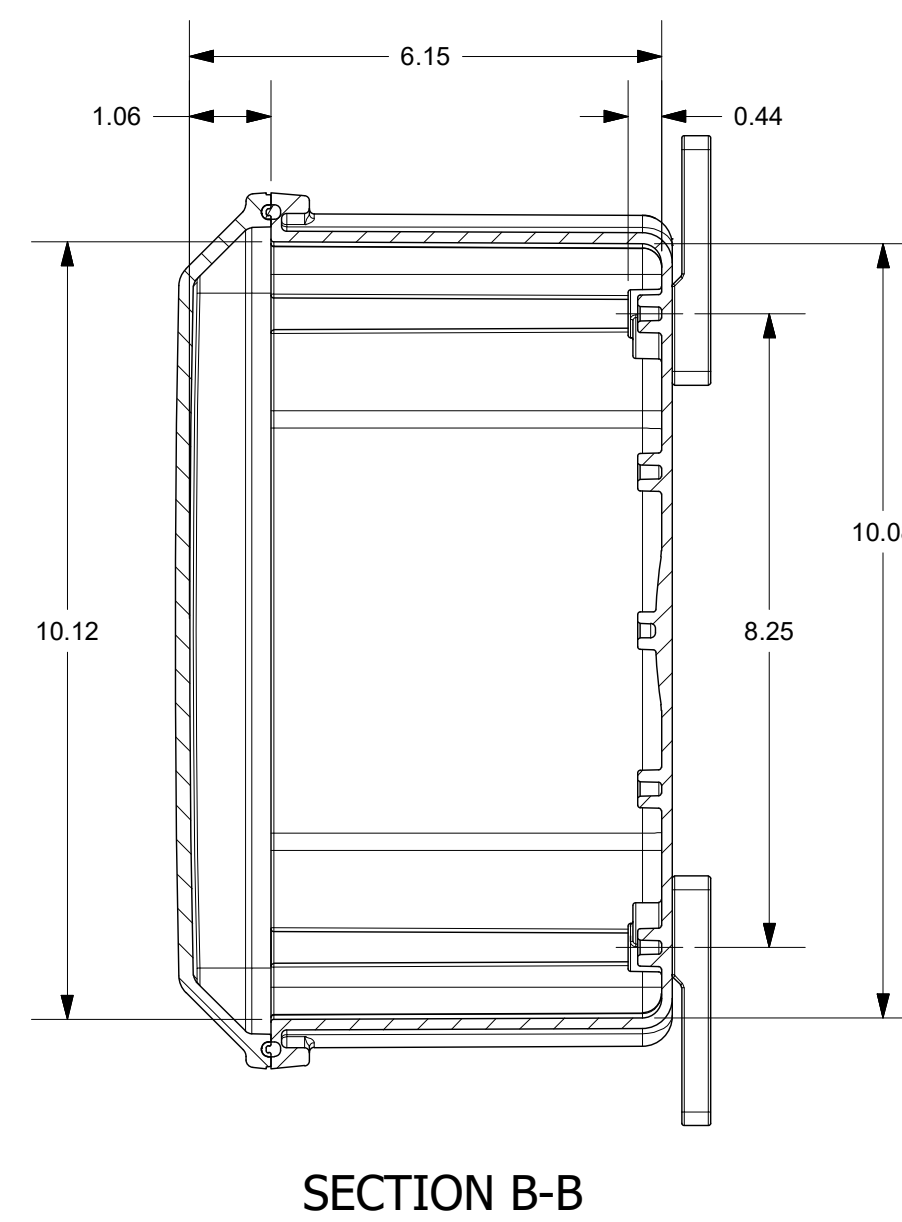
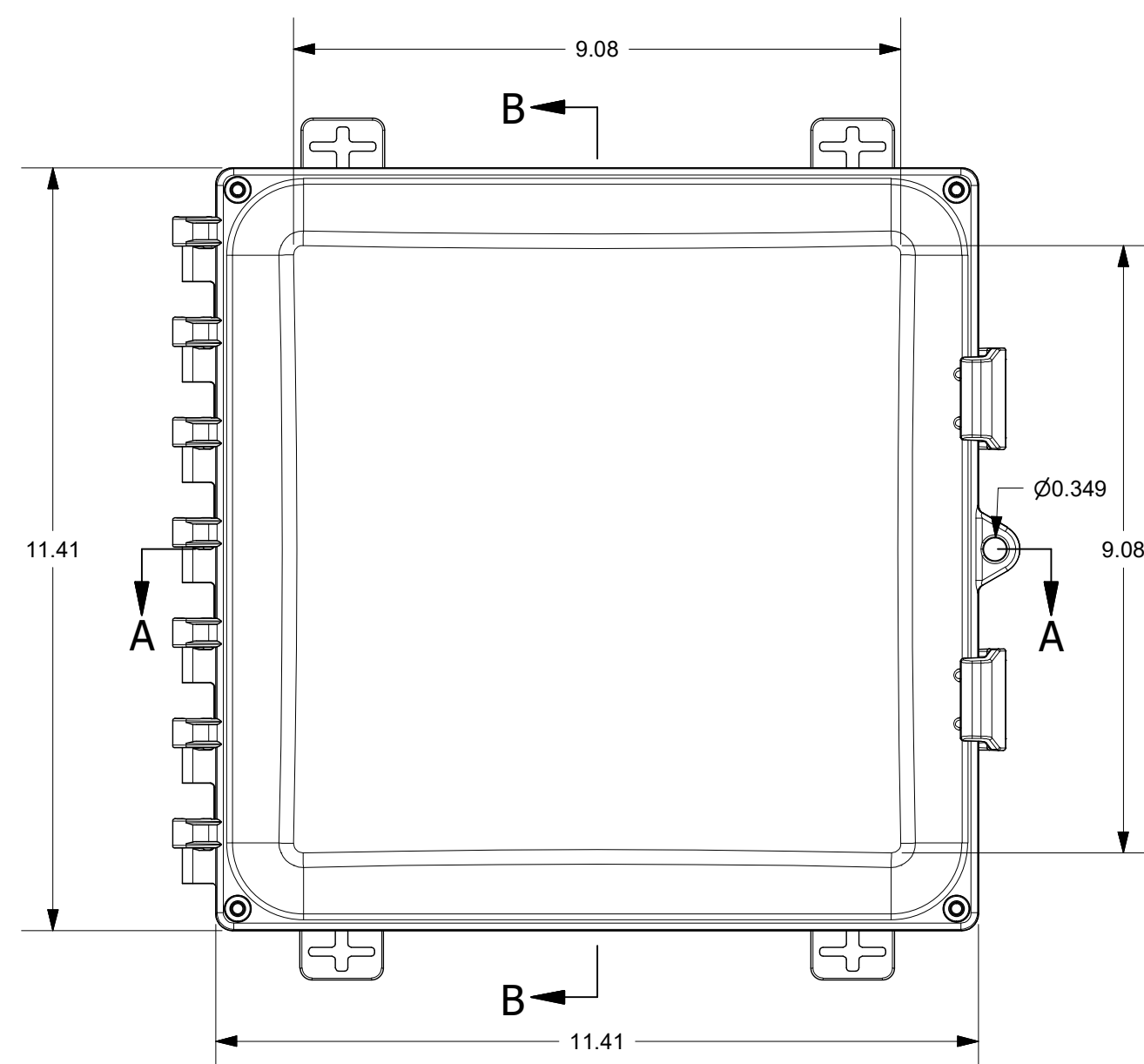
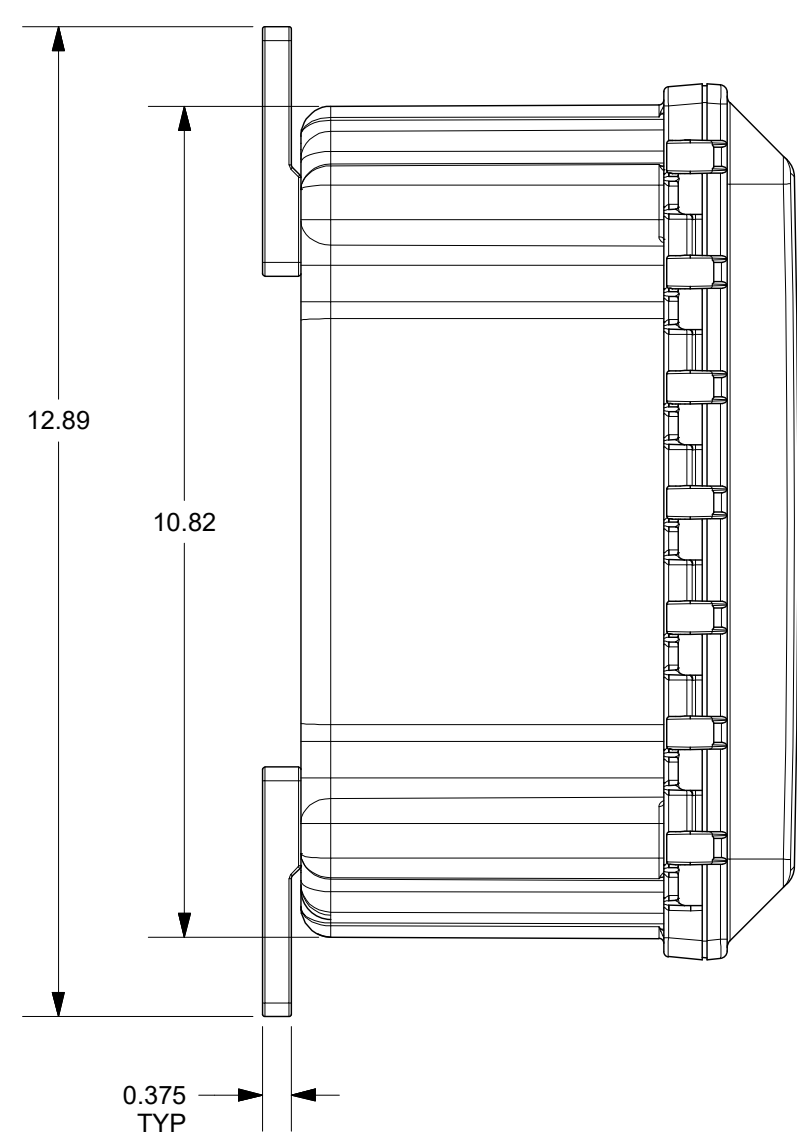


FOR REFERENCE ONLY  
MOUNTING FEET SHOWN AS INSTALLED



THIS DRAWING IS THE SOLE AND EXCLUSIVE PROPERTY OF ROBROY ENCLOSURES. NO PART OF THIS DRAWING MAY BE REPRODUCED, DISTRIBUTED, OR PUBLICALLY DISPLAYED IN ANY FORM OR BY ANY MEANS WITHOUT THE EXPRESS WRITTEN PERMISSION OF ROBROY ENCLOSURES. ALL RIGHTS RESERVED. UNDER THE COPYRIGHT LAWS. COPYRIGHT © 2017 ROBROY ENCLOSURES

**SPECIAL REQUIREMENTS**

- ASSEMBLY:**  
 1. (1) POLYCARBONATE ACCESSORY KIT (WPPCACCKIT) SHALL BE PACKAGED LOOSELY INSIDE ENCLOSURE  
**HARDWARE INCLUDED:**  
 - (4) 1/4-20 x 1/2 FLAT HEAD PHILLIPS MACHINE SCREW (RMSC1/4-20X.5FLPH)  
 - (4) #10-32 x 5/8 PAN HEAD PHILLIPS MACHINE SCREW (RMSC10/32X5/8SS)  
 - (4) #10-32 x 3/8 PAN HEAD SCREW (RMSC10/32X3/8ZN)  
 - (4) #10 WASHER (RMWAS10ZN)  
 2. (1) STYROFOAM SHEET SHALL BE PLACED ON TOP OF COVER INSIDE CARTON

NEMA 250: TYPE 1, 3R, 4, 4X, 6P, 12  
 IEC 60529: IP66, IP68  
 COLOR: N/A  
 COLOR STANDARD: PANTONE 7541 C

STANDARD P/N: AH10106  
 CUSTOMER DWG:

ALL DIMENSIONS ARE IN INCHES UNLESS OTHERWISE SPECIFIED

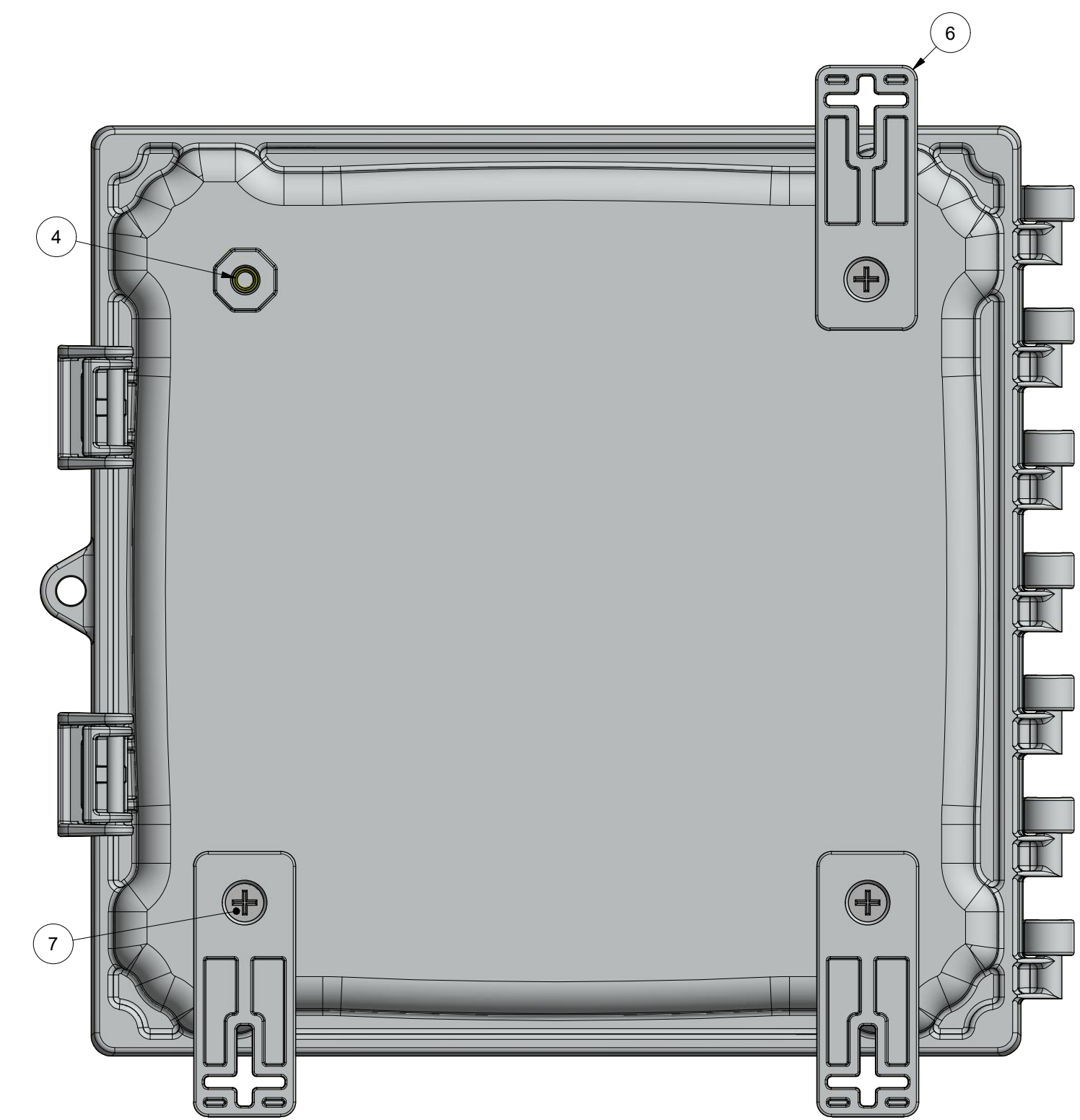
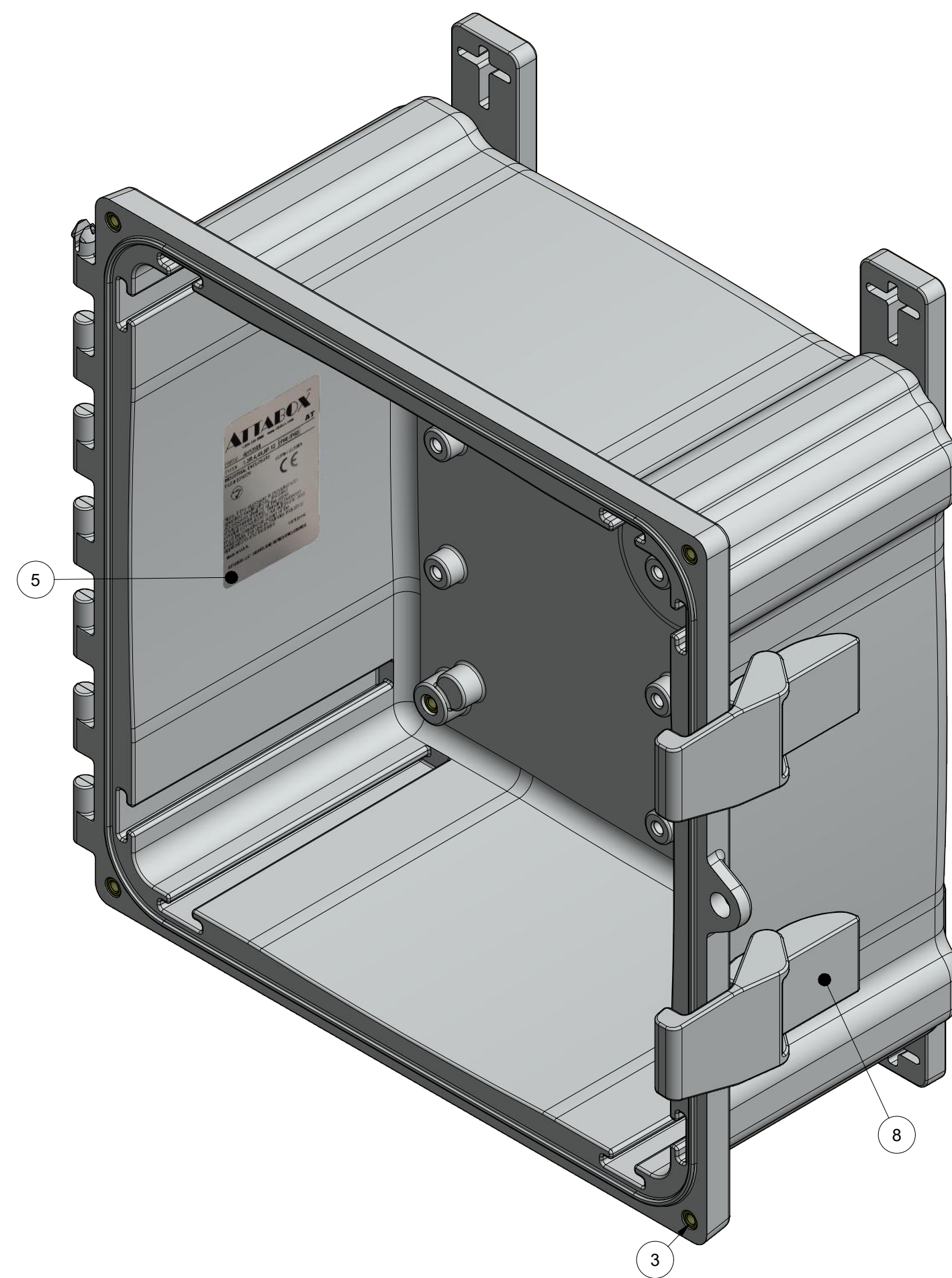
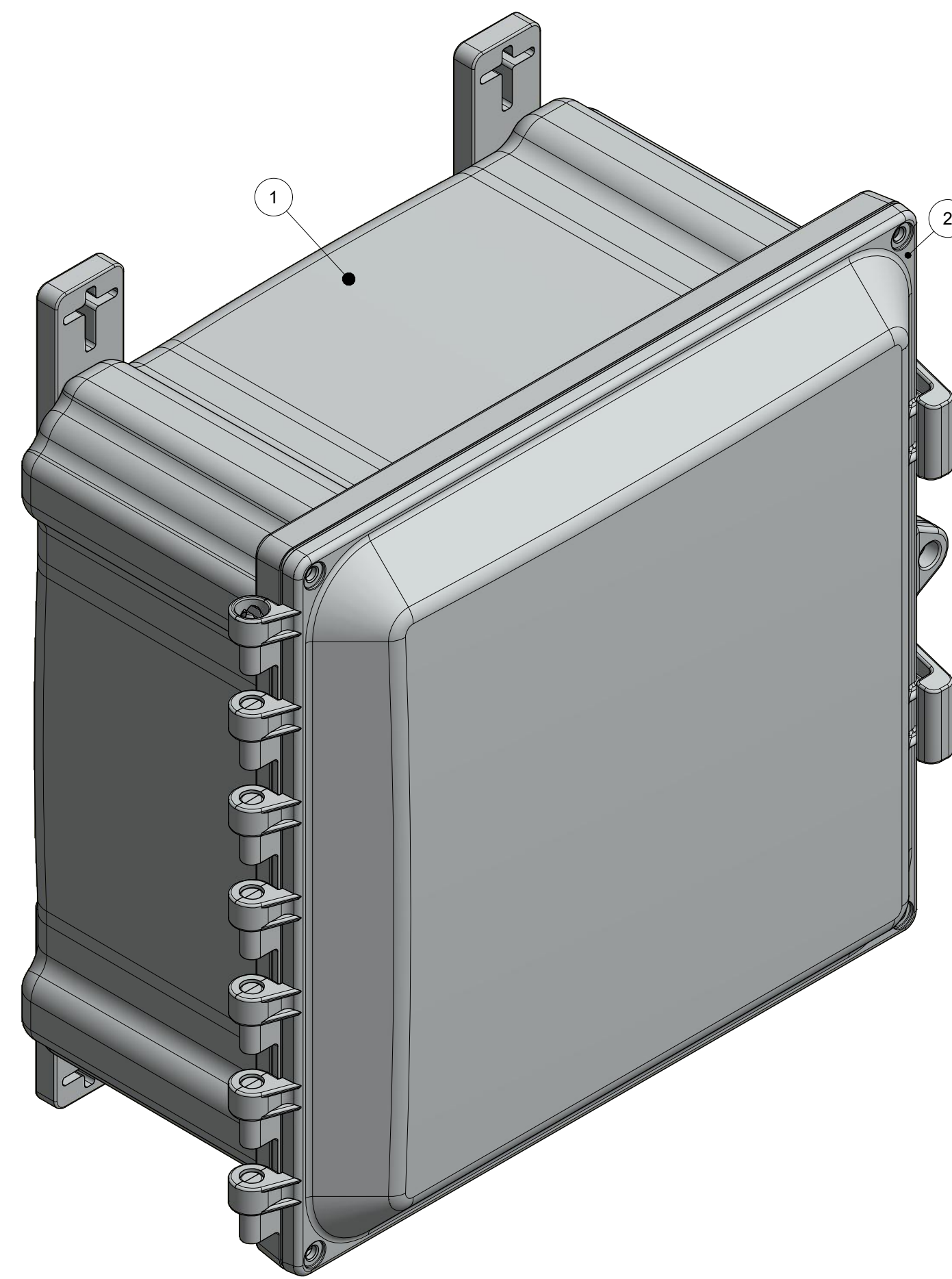
TOLERANCES UNLESS SPECIFIED .XX ± 0.03 .XXX ± 0.010

REVISION HISTORY			
REV	DESCRIPTION	DATE	ENG
-	-	-	-
-	-	-	-
-	-	-	-
-	-	-	-
-	-	-	-
-	-	-	-



**Robroy Enclosures**  
 500 Maple Street  
 Belding, Michigan 48809  
 Phone: 616-794-0700  
 Fax: 616-749-3378

WWW.ATTABOX.COM	DRAWN BY	DATE	CUSTOMER	DWG
	DRH	06/08/17		AH10106
SCALE	DO NOT SCALE	DESCRIPTION	STANDARD ENCLOSURE	PART NUMBER
				ATAH10106



BACK SIDE  
(1) MOUNTING FOOT REMOVED FOR CLARITY  
TORQUE SCREWS TO 10-14 IN.-LBS.

PARTS LIST			
ITEM	QTY	PART NUMBER	DESCRIPTION
1	1	WPPC10106BOX	AH10106 MOLDED BOX
2	1	WPPC10106U	AH10106 GASKETED COVER
3	8	RMAHINS10-32UNF	#10-32 UNF COVER & BACK PANEL BRASS INSERT
4	4	RMAHINS1/4-20UNC	1/4-20 UNC MOUNTING FOOT BRASS INSERT
5	1	RMLABBLANK3X2	AH10106 LABEL
6	4	RMAHFOOT-001	MOUNTING FOOT (INCLUDED WITH WPPCACCKIT)
7	4	RMSC1/4-20X.5FLPH	1/4-20 x 1/2 FLAT HEAD PHILLIPS MACHINE SCREW
8	2	RMAHLATCH-001	LATCH
9	1	WPPCACCKIT	POLYCARBONATE ACCESSORY KIT (INCLUDES MOUNTING FEET)

THIS DRAWING IS THE SOLE AND EXCLUSIVE PROPERTY OF ROBROY ENCLOSURES. NO PART OF THIS DRAWING MAY BE REPRODUCED, DISTRIBUTED, OR PUBLICALLY DISPLAYED IN ANY FORM OR BY ANY MEANS WITHOUT THE EXPRESS WRITTEN PERMISSION OF ROBROY ENCLOSURES. ALL RIGHTS RESERVED. UNDER THE COPYRIGHT LAWS. COPYRIGHT © 2017 ROBROY ENCLOSURES

SPECIAL REQUIREMENTS	
<b>ASSEMBLY:</b> 1. (1) POLYCARBONATE ACCESSORY KIT (WPPCACCKIT) SHALL BE PACKAGED LOOSELY INSIDE ENCLOSURE <b>HARDWARE INCLUDED:</b> - (4) 1/4-20 x 1/2 FLAT HEAD PHILLIPS MACHINE SCREW (RMSC1/4-20X.5FLPH) - (4) #10-32 x 5/8 PAN HEAD PHILLIPS MACHINE SCREW (RMSC10/32X5/8SS) - (4) #10-32 x 3/8 PAN HEAD SCREW (RMSC10/32X3/8ZN) - (4) #10 WASHER (RMWAS10ZN) 2. (1) STYROFOAM SHEET SHALL BE PLACED ON TOP OF COVER INSIDE CARTON	

NEMA 250: TYPE 1, 3R, 4, 4X, 6P, 12 IEC 60529: IP66, IP68	STANDARD P/N: AH10106	ALL DIMENSIONS ARE IN INCHES UNLESS OTHERWISE SPECIFIED	TOLERANCES UNLESS SPECIFIED .XX ± 0.03 .XXX ± 0.010
COLOR: N/A COLOR STANDARD: PANTONE 7541 C	CUSTOMER DWG:		
MATERIAL: POLYCARBONATE			
DRAWN BY: DRH    DATE: 06/08/17    CUSTOMER:		DWG: AH10106	
SCALE: DO NOT SCALE		DESCRIPTION: STANDARD ENCLOSURE    PART NUMBER: ATAH10106	

		<b>Robroy Enclosures</b> 500 Maple Street Belding, Michigan 48809 Phone: 616-794-0700 Fax: 616-749-3378	
DRAWN BY: DRH    DATE: 06/08/17    CUSTOMER:		DWG: AH10106	
SCALE: DO NOT SCALE		DESCRIPTION: STANDARD ENCLOSURE    PART NUMBER: ATAH10106	