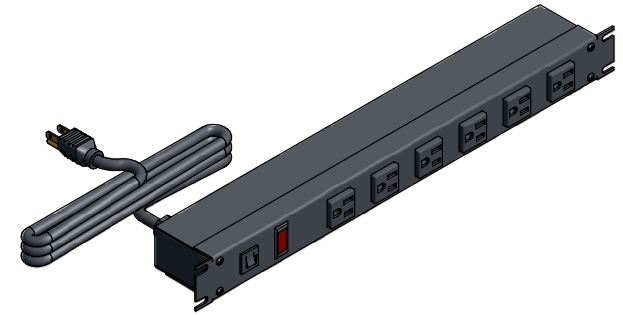
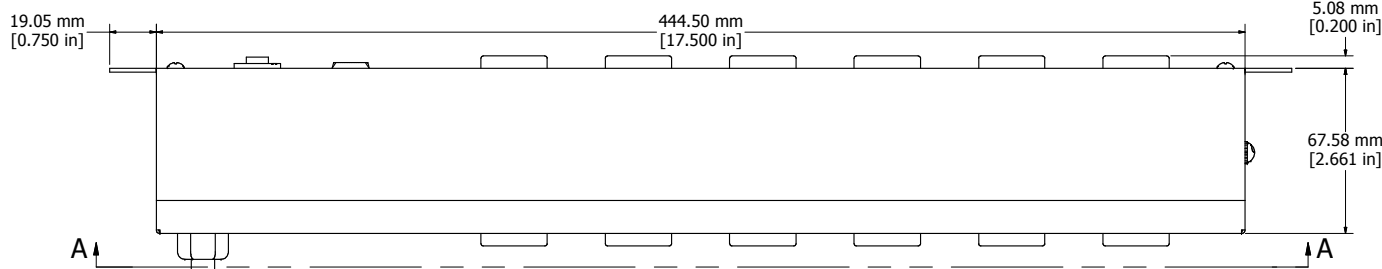


ASSEMBLY - VIEW FROM FRONT

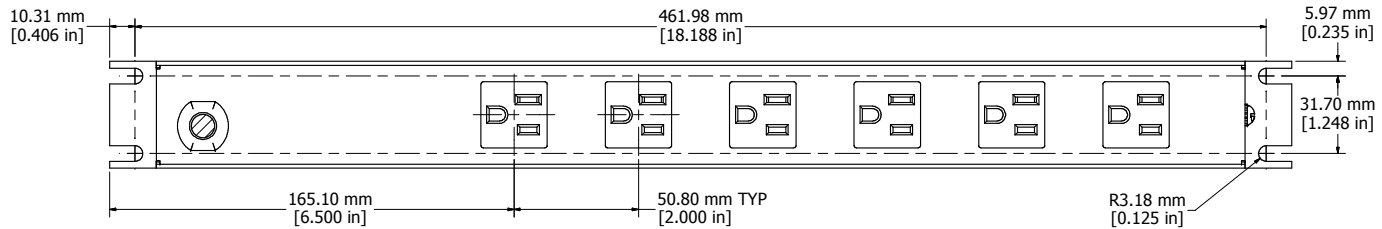
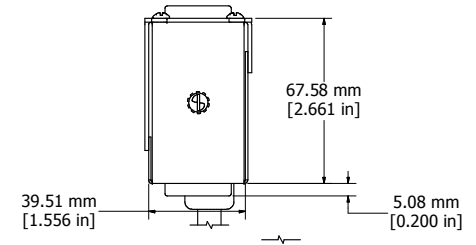


ISOMETRIC VIEW



ASSEMBLY - VIEW FROM BOTTOM

ASSEMBLY - VIEW FROM SIDE



SECTION A-A

<b>1583T12B1BKX</b>
Finish - Front - Black Painted Steel
Back - Black Painted Steel
Rated - 125 VAC, 60 Hz, 15 Amps
Approvals - CSA Certified Standards C22.2 (No. 21-95, 42-99)
- UL Recognized Standard UL 1363

**HAMMOND  
MANUFACTURING™**  
**1583T12B1BKX**  
www.hammondmfg.com