

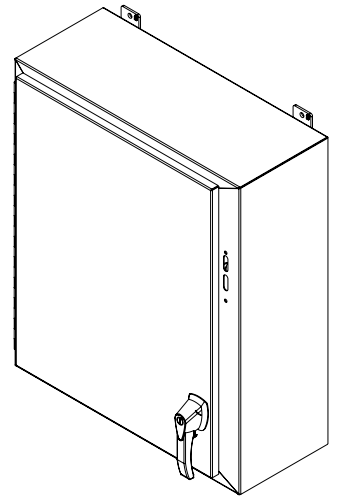


PART No. 1447SE10HK

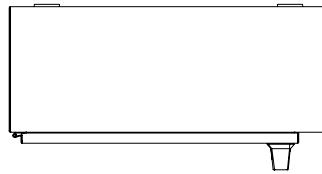
for more information visit
www.hammondmfg.com

Data subject to change without
notice™

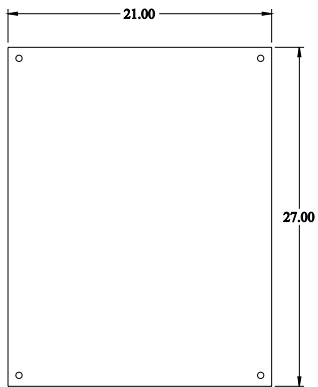
™
Isometric drawing Not to Scale



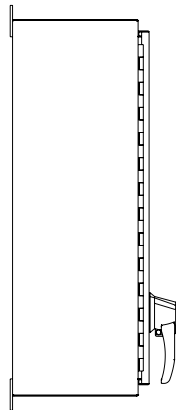
ISOMETRIC VIEW



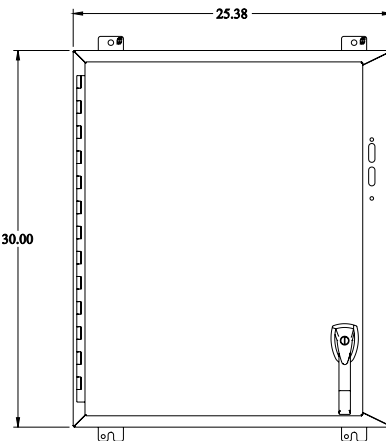
TOP VIEW



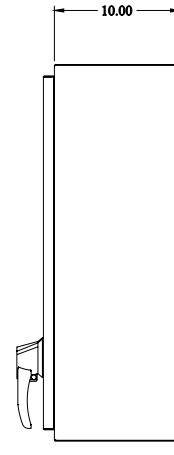
INNER PANEL VIEW



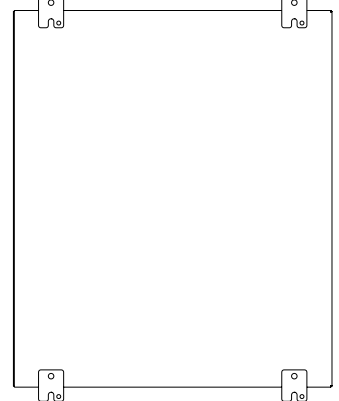
LEFT SIDE VIEW



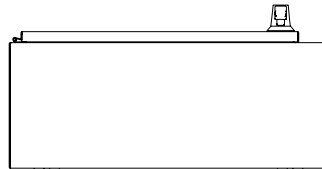
FRONT VIEW



RIGHT SIDE VIEW



REAR VIEW



BOTTOM VIEW