

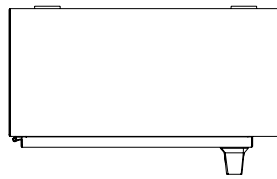


**PART No. 1447SD10HK**

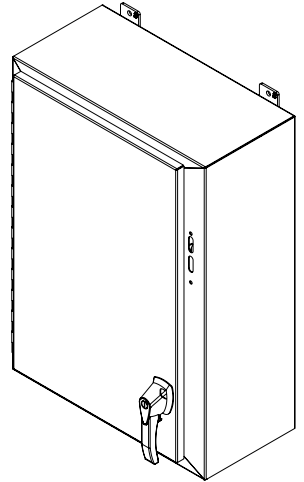
for more information visit  
[www.hammondmfg.com](http://www.hammondmfg.com)

Data subject to change without  
notice^M

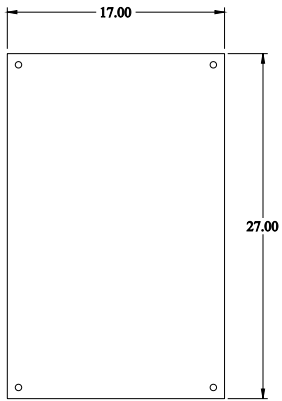
^M  
Isometric drawing Not to Scale



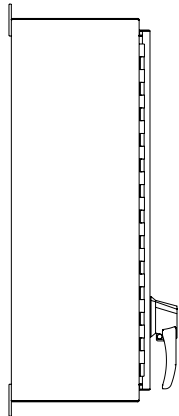
**TOP VIEW**



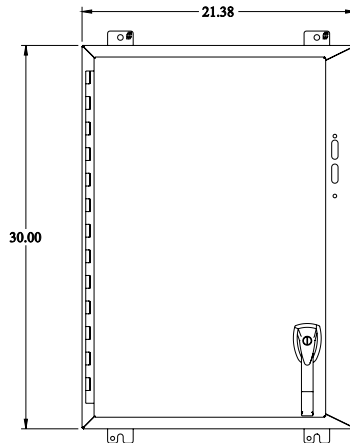
**ISOMETRIC VIEW**



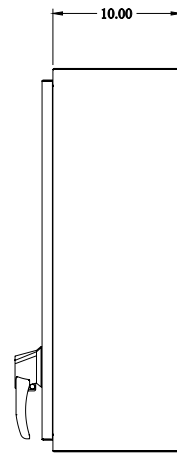
**INNER PANEL VIEW**



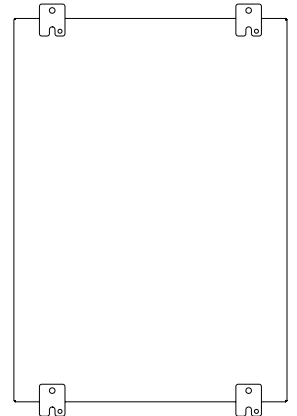
**LEFT SIDE VIEW**



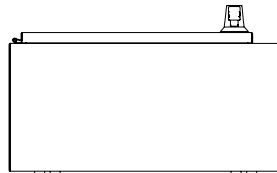
**FRONT VIEW**



**RIGHT SIDE VIEW**



**REAR VIEW**



**BOTTOM VIEW**