

## LIMITED WARRANTY



Go to [larktale.com/warranty](http://larktale.com/warranty) for full details.

**larktale**<sup>™</sup>  
fits your world

©2021 Larktale, LLC. All Rights Reserved  
LARKTALE®, FITS YOUR WORLD™ and all related logos are registered trademarks of Larktale, LLC in the USA and other jurisdictions. All designs are registered designs of Larktale.

Larktale reserves the right to make changes to any products as part of our continuing product development.

ART No: LT99002US\_REV\_1.0

## CARE & MAINTENANCE

This is a high-quality product that has been made using quality components. Make it a habit to regularly check that the product is in sound working condition. If you find any parts broken or worn, replace them as necessary. With periodic maintenance and common-sense use, this product will provide many years of enjoyment for your family. All repairs should only be carried out by an authorized repairer. Please contact us at [customerservice@larktale.com](mailto:customerservice@larktale.com) to find a suitable repairer in your area.

Please note it is unsafe to use spare parts and accessories other than those supplied by Larktale.

### CLEANING:

#### Fabrics:

- Wipe clean using a mild soap and warm water.

#### Plastic / Metal Parts:

- Wipe clean using a mild soap and warm water.
- Never use strong detergents or solvents.
- You must not remove, dismantle or alter any part of this product's folding mechanism or brakes.

#### Wheel Care:

- The wheels can be cleaned using a damp cloth.
- Dry the wheels completely with a soft towel or cloth.

### STORING:

- Storing this product indoors is recommended as extended and excessive sunlight can cause the colors to fade.
- Ensure that the product is dry before storing for prolonged periods.
- Always store this product in a dry environment.
- Store this product in a safe place when not in use (ie where children cannot play with it).
- DO NOT place heavy objects on top of this product.
- DO NOT store this product near a direct heat source such as a household heater or fire.

### SERVICE:

If you have any questions about how to care for or operate your product, need replacement parts, or need to file a warranty claim, please contact Larktale, directly via email at [customerservice@larktale.com](mailto:customerservice@larktale.com).

Safety Tested  
EN 1888-1:2018

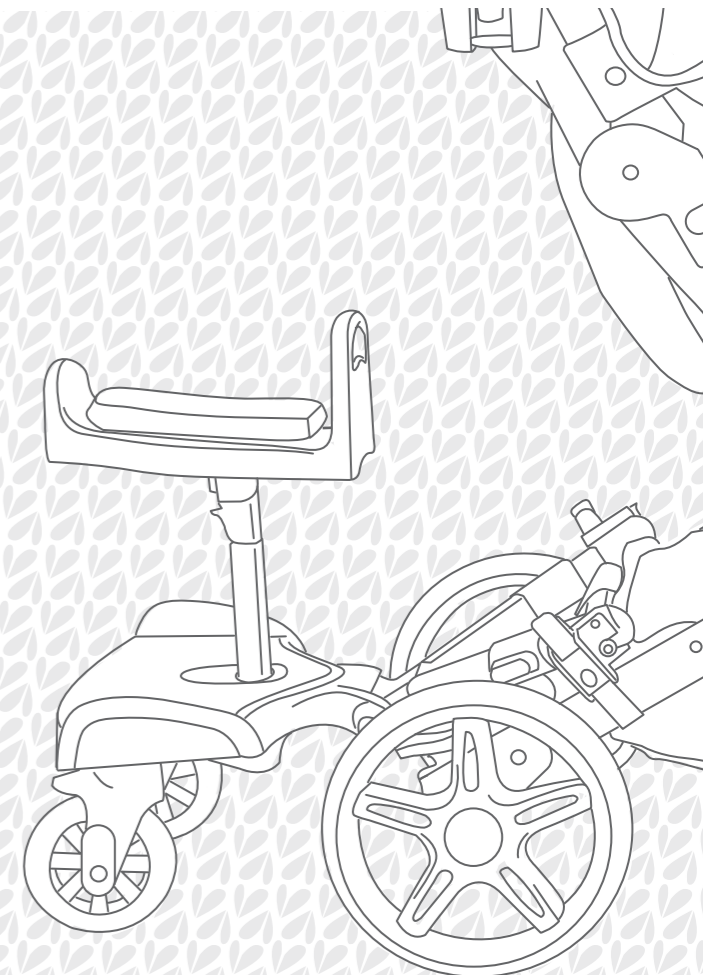
**larktale**<sup>™</sup>  
fits your world

## Ride-Along Stroller Board + removable saddle seat Universal Fit

### OPERATING MANUAL

**IMPORTANT:** Keep these instructions for future reference. Read the instructions carefully before use - your child's safety may be affected if you do not follow these instructions


**Larktale, LLC**  
2701 Emerywood Pkwy, Suite 100  
Richmond, VA 23294 United States  
Email Us: [customerservice@larktale.com](mailto:customerservice@larktale.com)  
USA Toll Free: 844-945-8378  
[www.larktale.com](http://www.larktale.com)









Thank you for choosing Larktale! This product has been co-created with parents and parenting experts to ensure you get what matters most in your product. All Larktale products are carefully crafted from high quality materials with your family's safety, comfort, and ease of use in mind. We hope you enjoy your new ride and that Larktale can inspire you to make wonderful stories with your loved ones for many years to come!

#### CONTENTS:

 Contact Us	1
 Safety Warnings	3
 Instructions	4
 Care & Maintenance	8

#### USING THIS MANUAL:

-  Audible "click"
-  Movement in this direction
-  Repeat action on similar parts / opposite side
-  Press Button

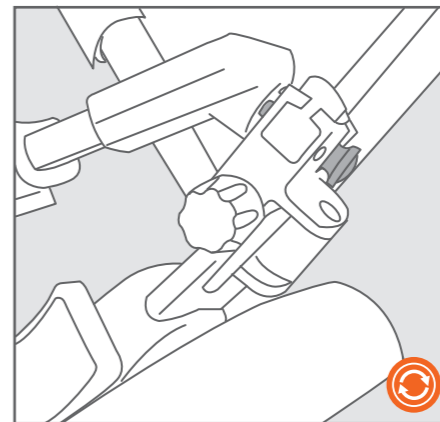
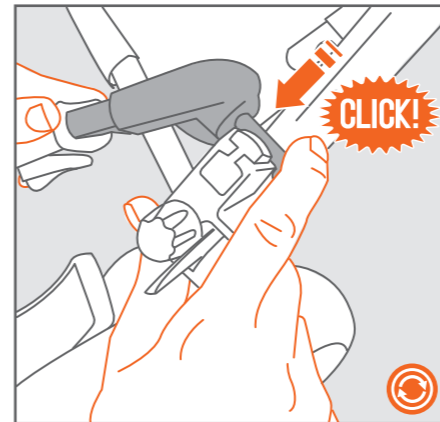
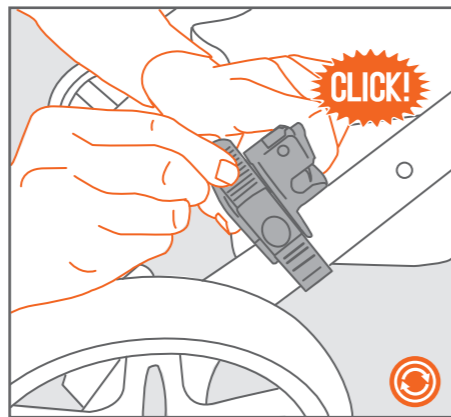
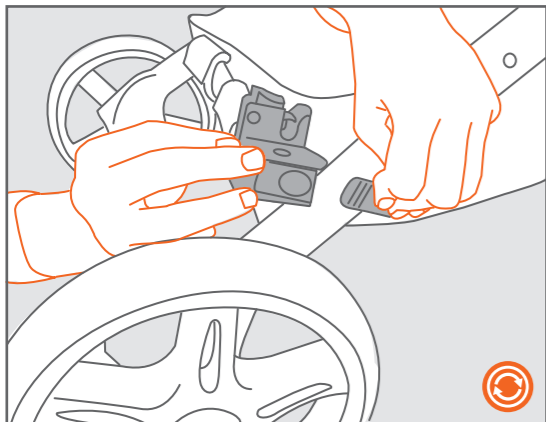
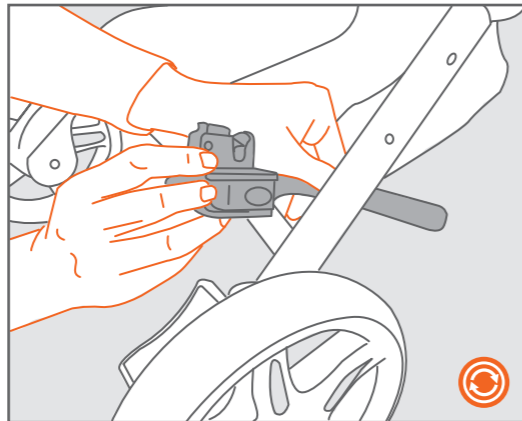
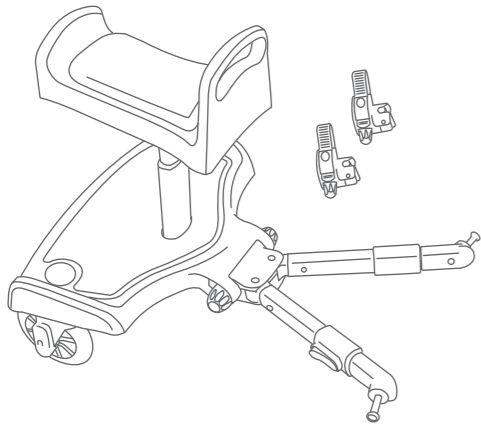
## YOUR CHILD'S SAFETY IS YOUR RESPONSIBILITY



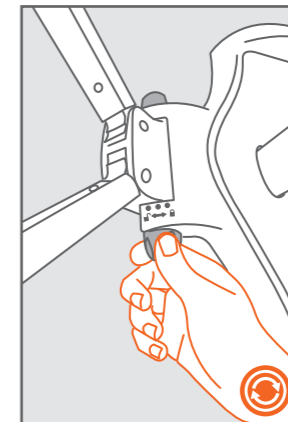
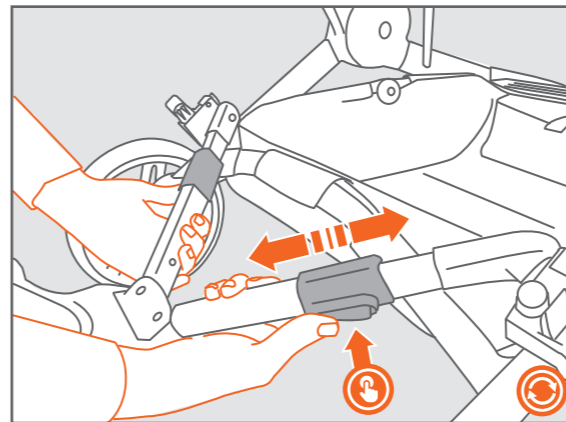
### **WARNING:** TO AVOID SERIOUS INJURY

- **READ THIS MANUAL CAREFULLY BEFORE USE AND KEEP FOR FUTURE REFERENCE. FAILURE TO FOLLOW THESE INSTRUCTIONS COULD RESULT IN SERIOUS INJURY OR DEATH.**
- **INTENDED FOR USE WITH ONLY ONE CHILD FROM APPROX. 2 YEARS OF AGE AND WITH A MAXIMUM WEIGHT OF 48 LBS (22 KG).**
- **NEVER USE THE STROLLER BOARD IF ANY PART IS DAMAGED, WORN, TORN OR MISSING.**
- **BEFORE EACH USE, CHECK THE CONNECTORS AND TIGHTEN IF NECESSARY.**
- **ALWAYS KEEP YOUR HANDS ON THE STROLLER WHEN YOUR CHILD IS USING THE STROLLER BOARD.**
- **NEVER LEAVE YOUR CHILD UNATTENDED WHILE THEY ARE STANDING ON THE STROLLER BOARD.**
- **MAKE SURE YOUR CHILD IS ALWAYS STANDING WITH BOTH FEET ON THE ANTI-SLIP REAR PORTION OF THE STROLLER BOARD.**
- **DO NOT OPERATE THE STROLLER'S PARKING BRAKE WHILE YOUR CHILD IS STANDING ON THE STROLLER BOARD.**
- **DO NOT GO UP AND DOWN CURBS OR STEPS WHEN A CHILD IS ON THE STROLLER BOARD**
- **DO NOT USE THE STROLLER BOARD LIKE A SKATE BOARD.**
- **THE CHILD SHOULD ALWAYS SIT FACING FORWARDS IF USING THE SADDLE SEAT**
- **CHILD'S FEET SHOULD REST ON THE STROLLER BOARD PLATFORM WHEN USING THE SADDLE SEAT**
- **NEVER LET CHILDREN PLAY WITH THE STROLLER BOARD**

 Assembly

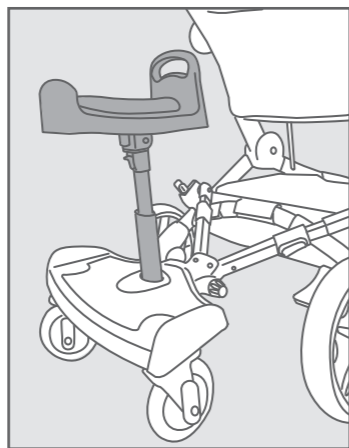
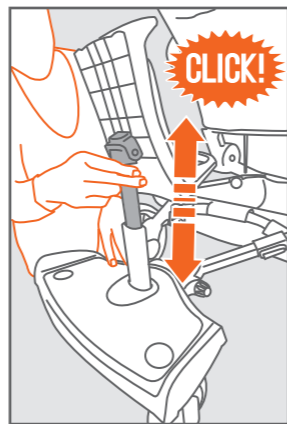
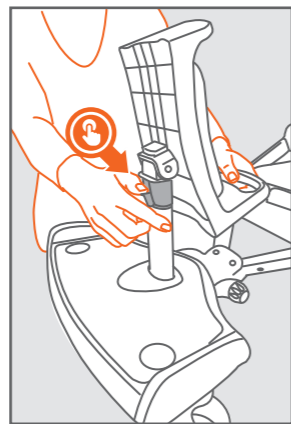
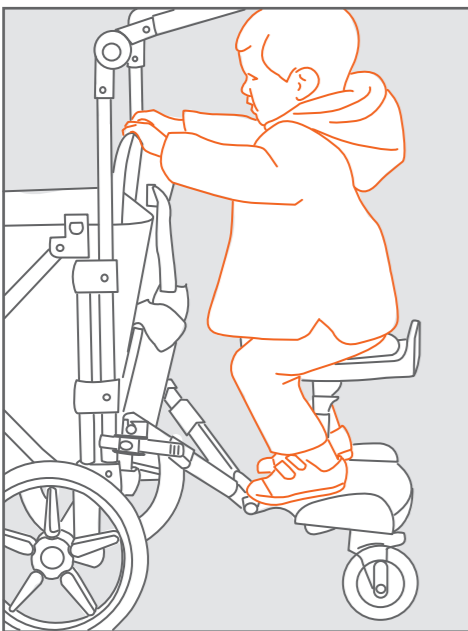


 Adjusting the Distance and Angle

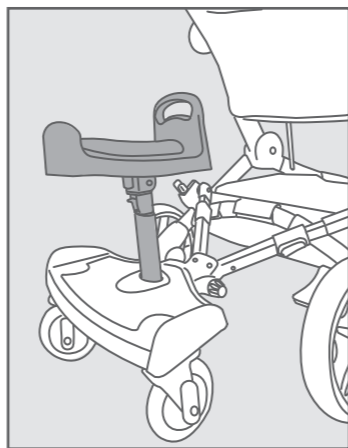




## Adjusting the Saddle Seat Height



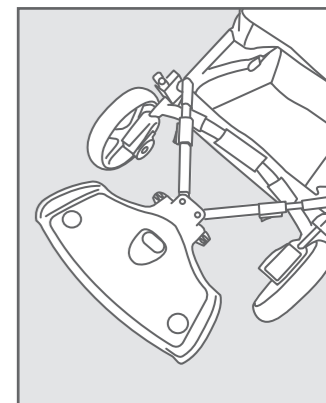
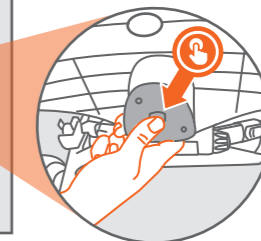
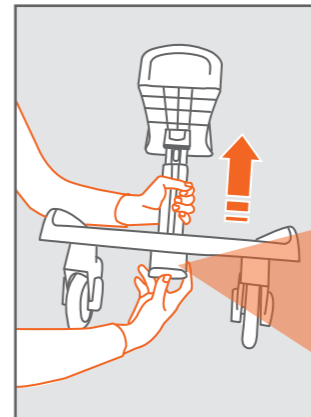
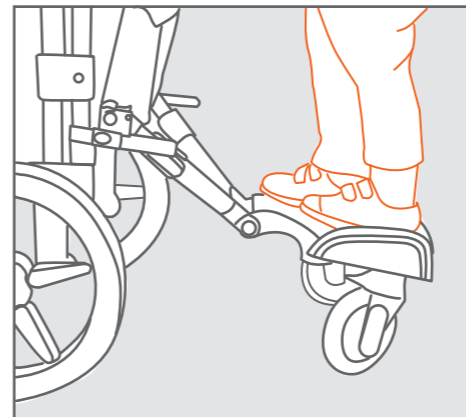
Tall Seating Position



Short Seating Position



## Using the Stand Platform - Remove Saddle Seat



## Removing the Stroller Board from the Stroller

