




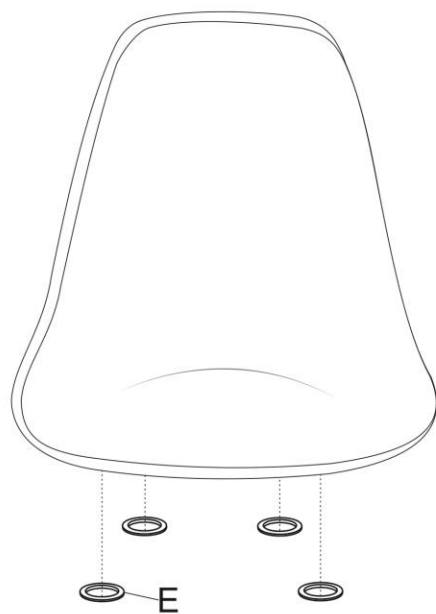


# ASSEMBLY INSTRUCTION



A		4
B		4
C		4
D		1
E		4

①



②

