

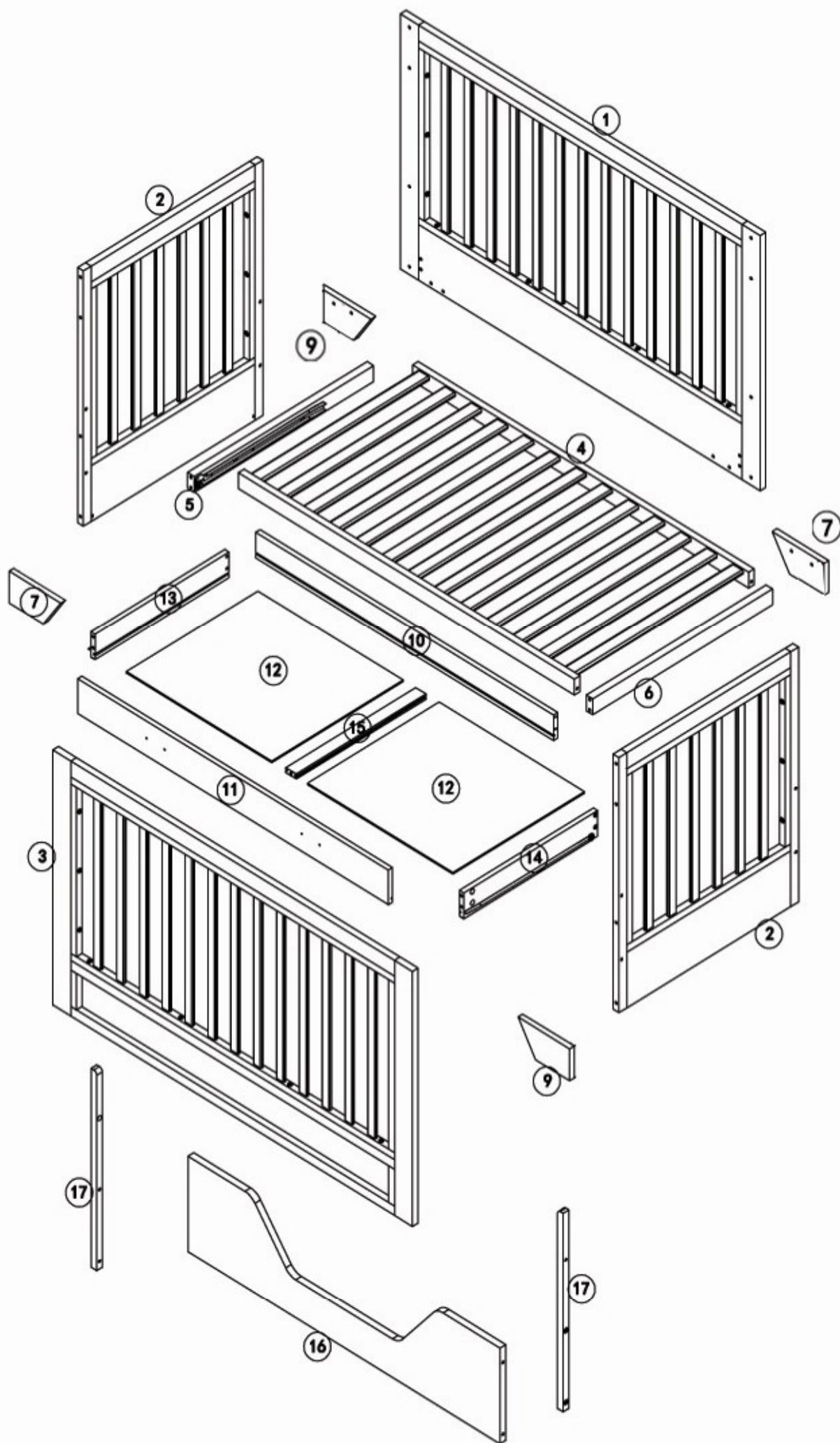


ASSEMBLY INSTRUCTIONS



IMPORTER: Cloud 9 Baby Bedrooms Pty Ltd

ADDRESS: 75/193 South Pine Road, Brendale, Queensland, 4500



Part List:

①	①	1
②	②	2
③	③	1
④	④	1
⑤	⑤	1
⑥	⑥	1
⑦	⑦	2
⑧	⑧	2
⑨	⑨	2
⑩	⑩	1
⑪	⑪	1
⑫	⑫	2
⑬	⑬	1
⑭	⑭	1
⑮	⑮	1
⑯	⑯	1
⑰	⑰	2

HARDWARE



Ax16 PCS



Bx6 PCS



Cx6 PCS



Dx4 PCS



Ex4 PCS



Fx12 PCS



Gx10 PCS



Hx4 PCS



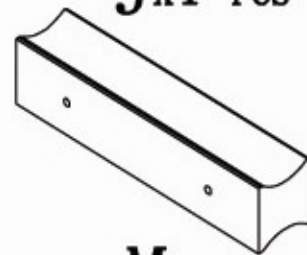
Jx4 PCS



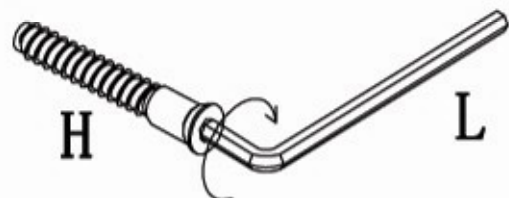
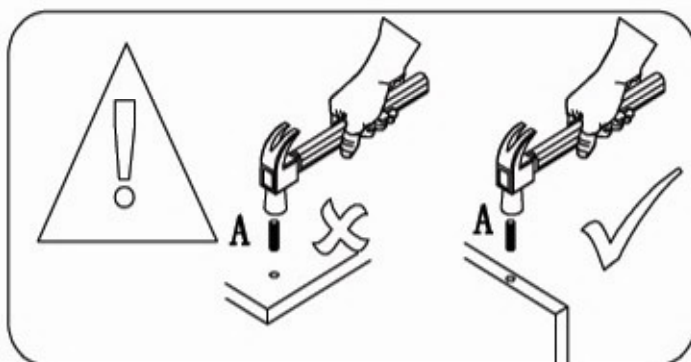
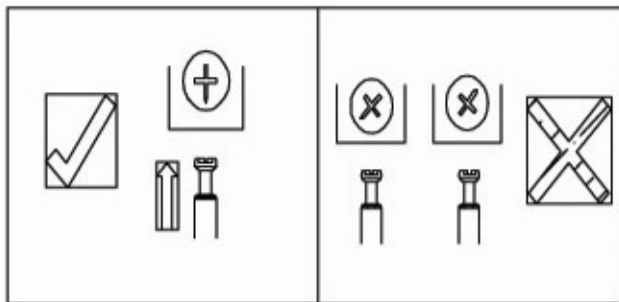
Kx4 PCS



Lx2 PCS



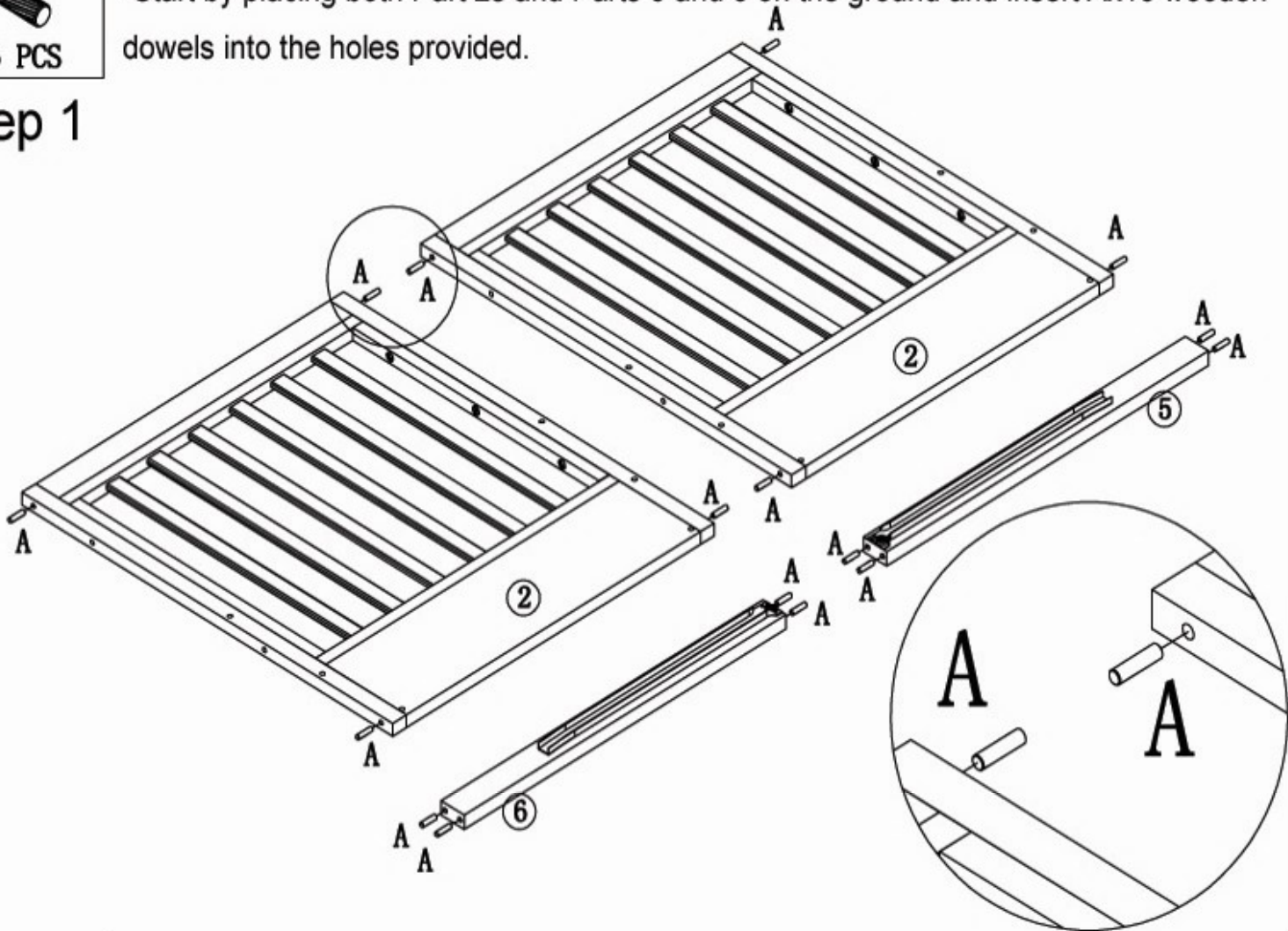
Mx2 PCS




AX16 PCS

-Start by placing both Part 2s and Parts 5 and 6 on the ground and insert Ax16 wooden dowels into the holes provided.

Step 1

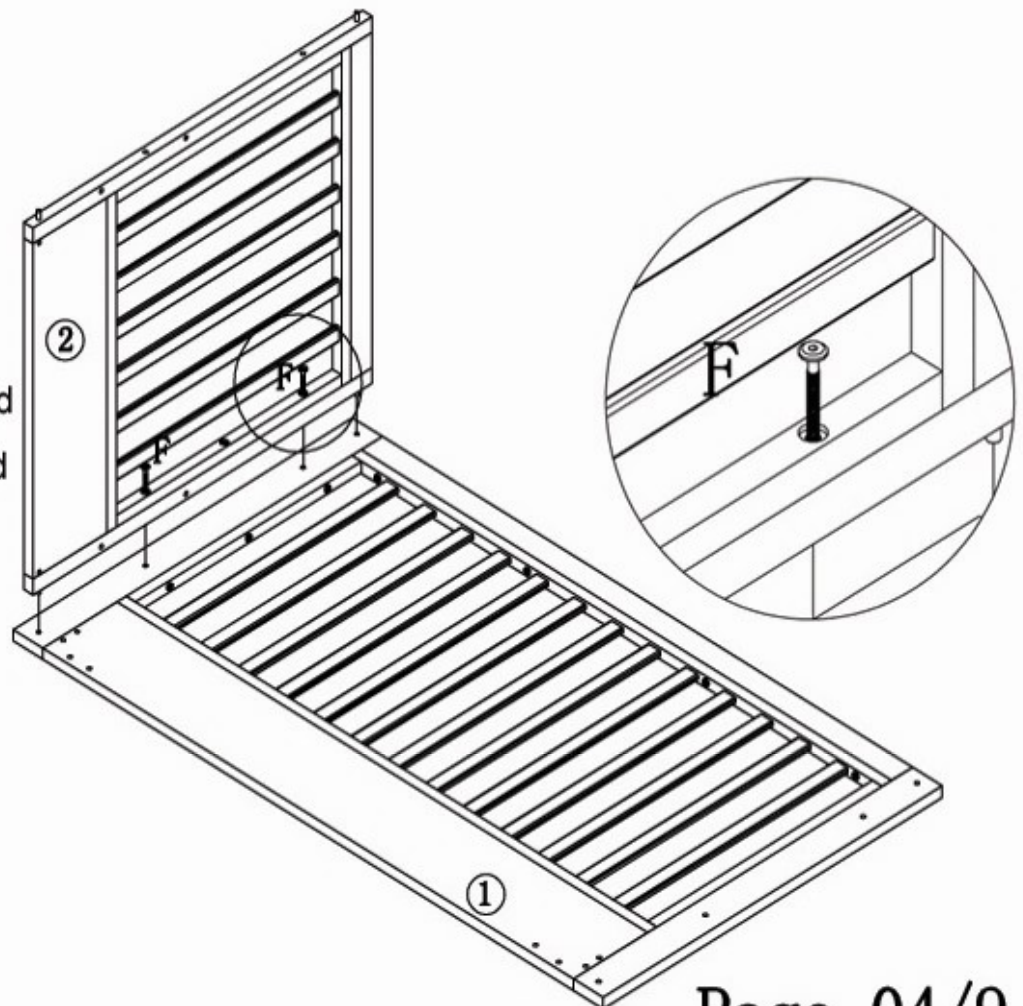



Fx2 PCS

Step 2

-Place Part 1 flat on the ground and then line up the wooden dowels in Part 2 with the provided holes on Part 1. Join Parts 1 and 2 together.

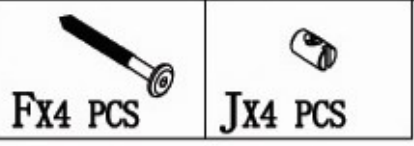
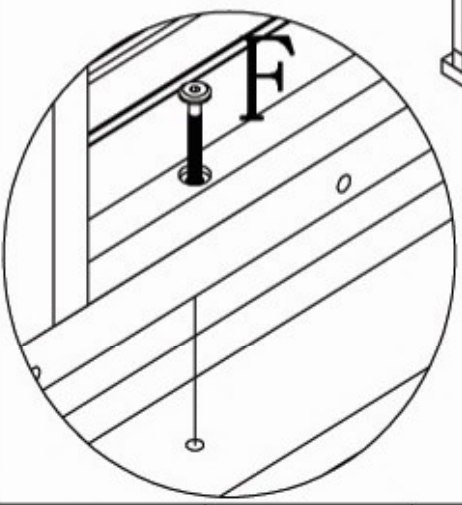
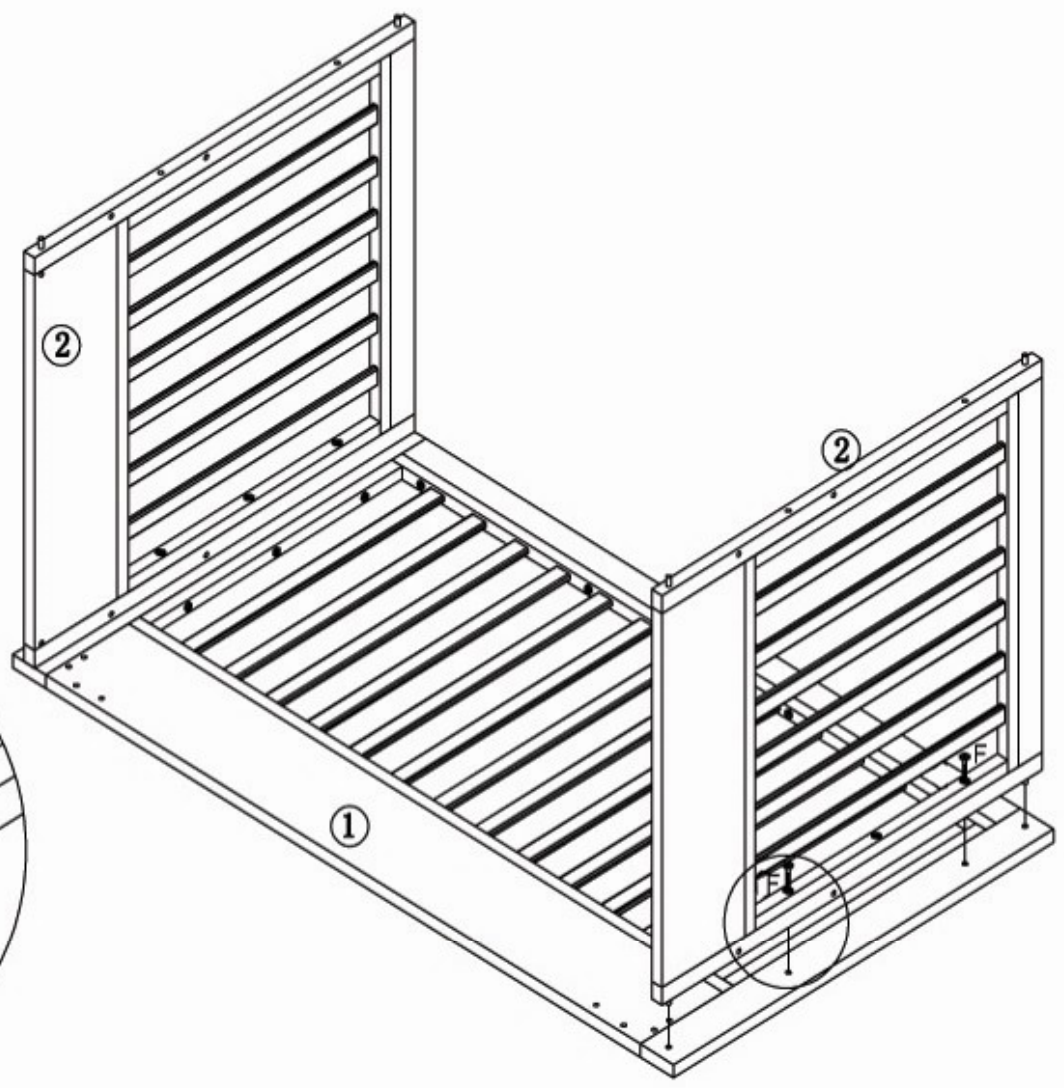
-Then secure Parts 1 and 2 by screwing in Fx2 screws through the provided holes in Part 2.





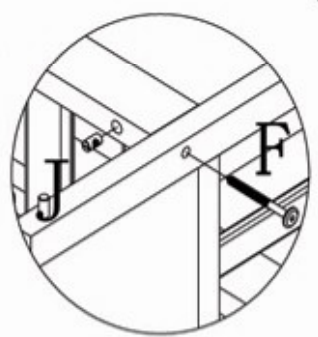
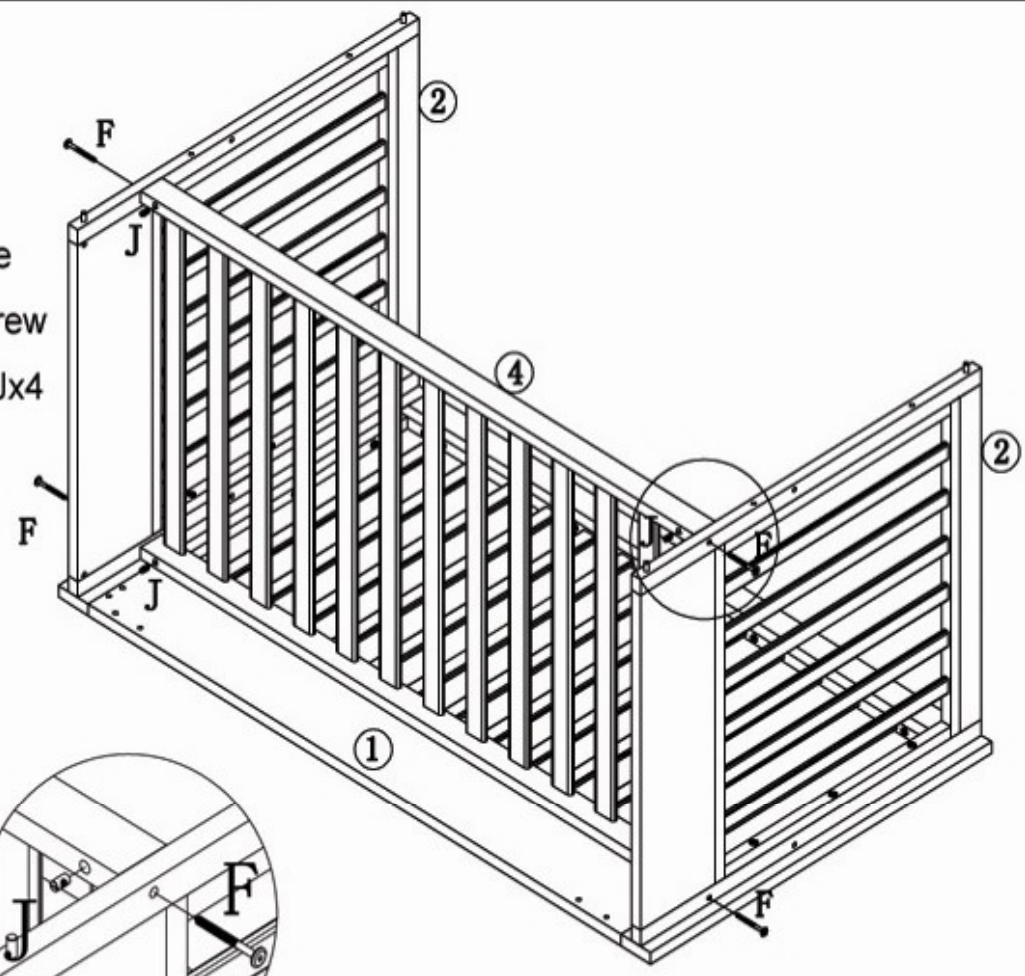
Step 3

-Repeat step 2 on the opposite end of the Cot.



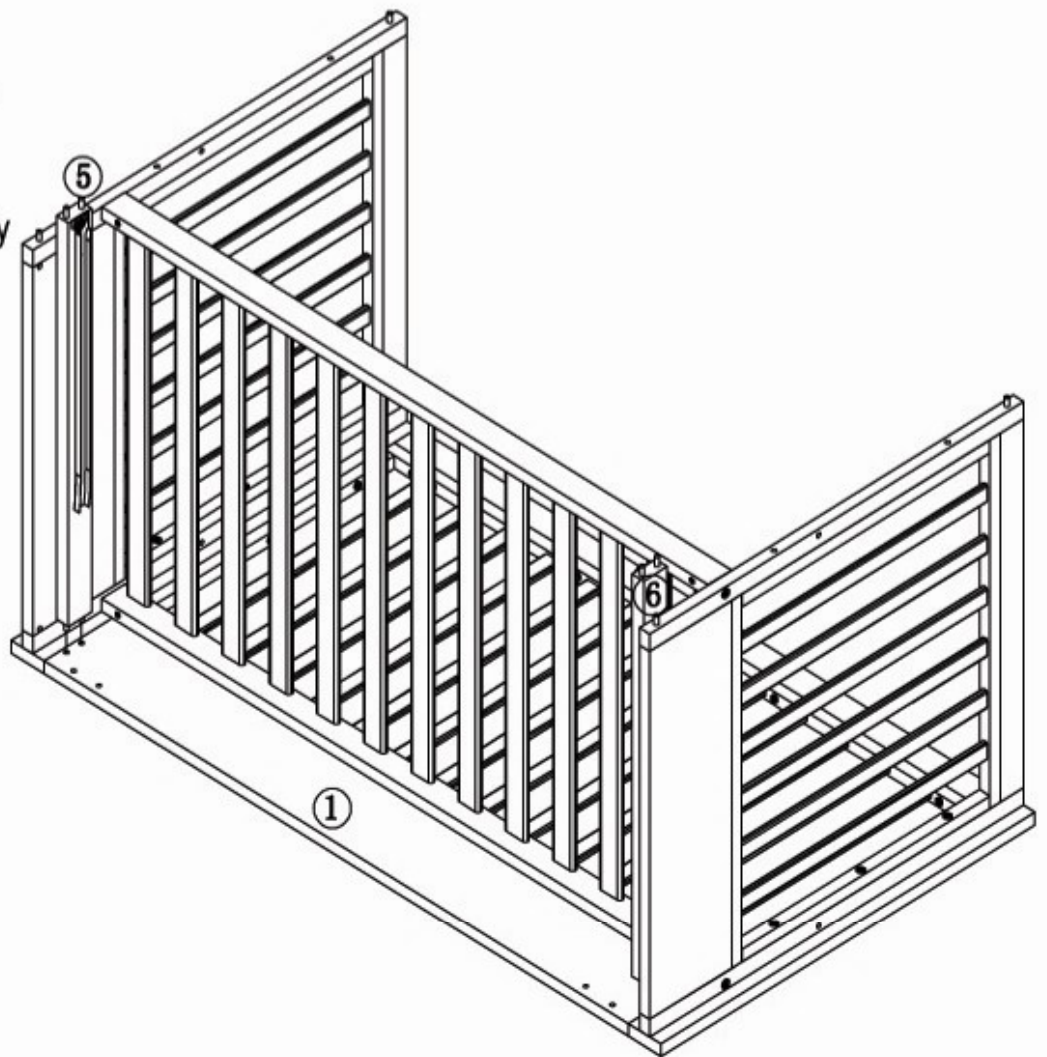
Step 4

-Place Part 4 down in between the Part 2s and using Fx4 screws, screw through Parts 2 into Part 4 using Jx4 bolts in the holes provided.
(MAKE SURE LABEL ON PART 4 IS FACING UP)



Step 5

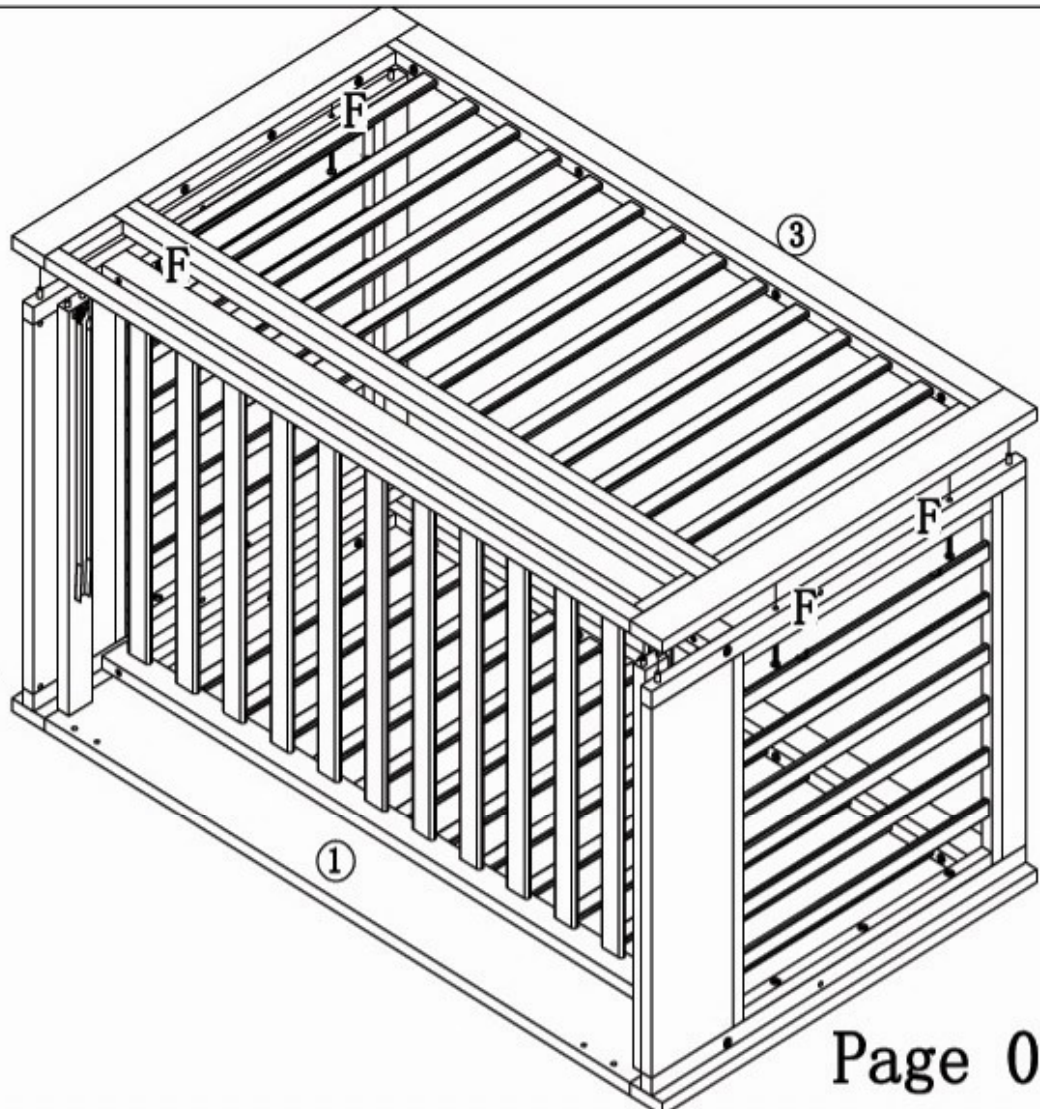
-Line up the wooden dowels in Parts 5 and 6 with the holes provided on Part 1 and securely place in the Parts.



FX4 PCS

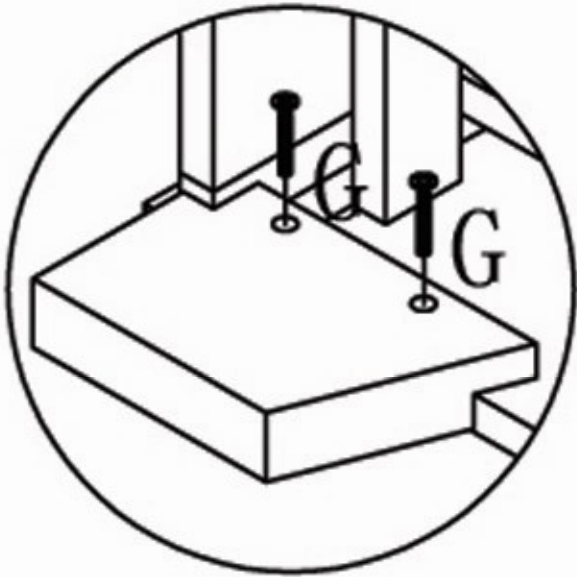
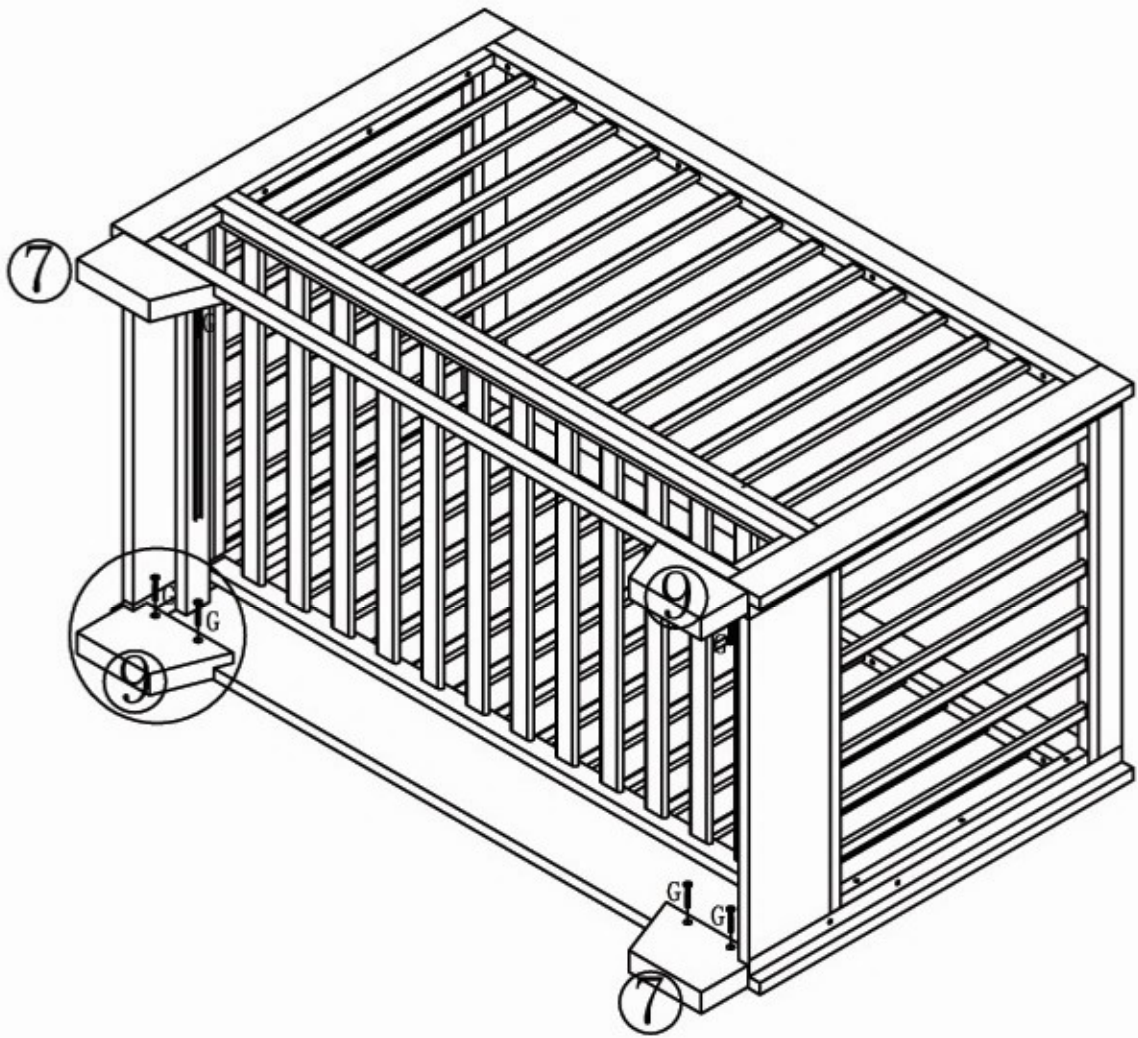
Step 6

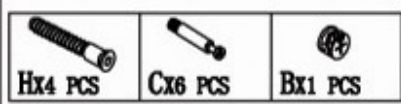
-Place Part 3 on top, lining up the wooden dowels into the holes on Part 3.
-Secure the Part by screwing Fx4 screws into the holes provided.



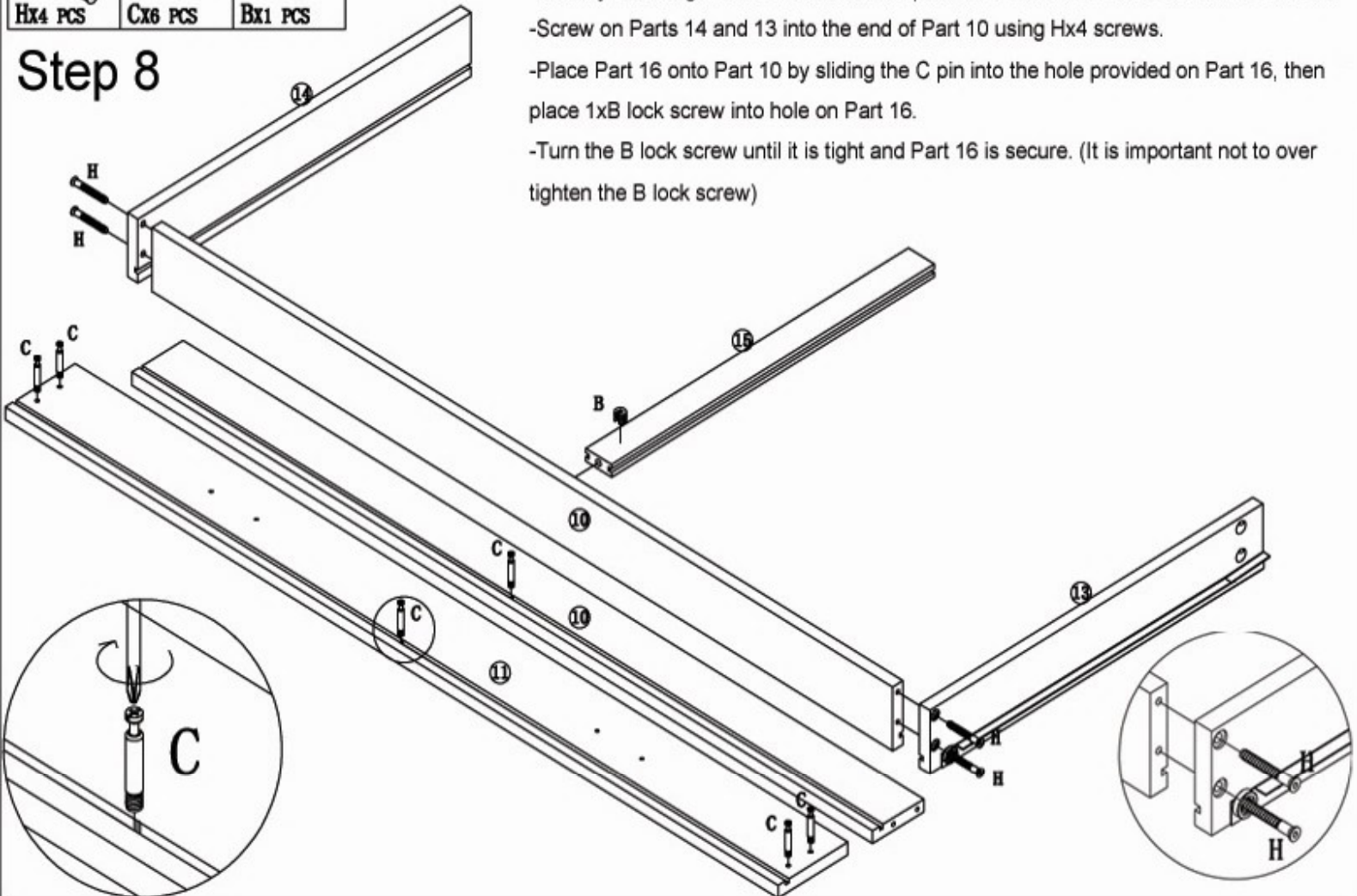


Step 7

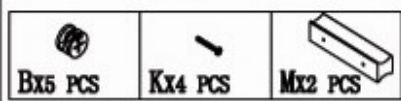




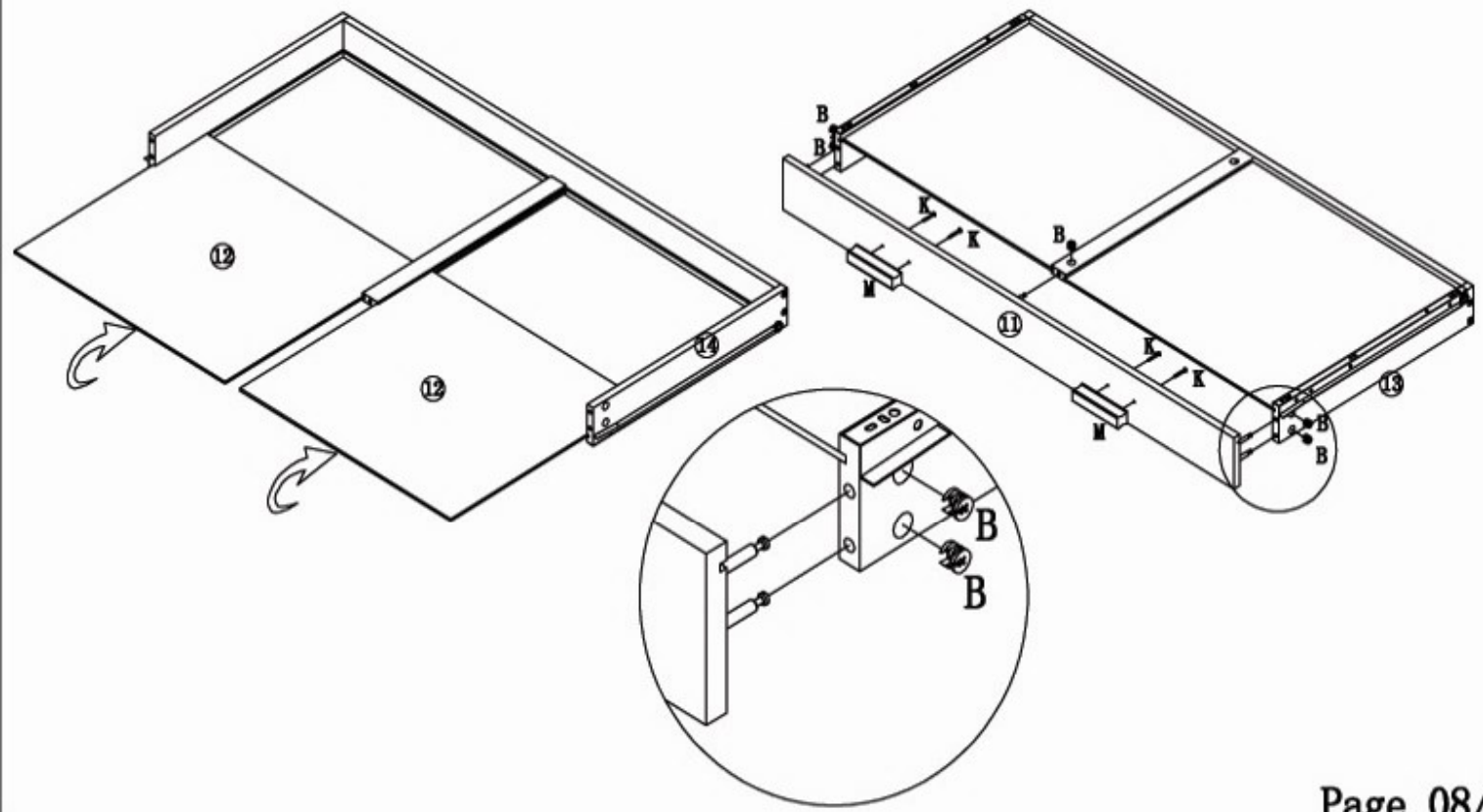
Step 8



- Start by screwing in Cx6 screws into the provided screw holes in both Parts 10 and 11.
- Screw on Parts 14 and 13 into the end of Part 10 using Hx4 screws.
- Place Part 16 onto Part 10 by sliding the C pin into the hole provided on Part 16, then place 1xB lock screw into hole on Part 16.
- Turn the B lock screw until it is tight and Part 16 is secure. (It is important not to over tighten the B lock screw)



Step 9



- Slide in 2 x Part 12 into grooves provided, making sure they are firmly and evenly placed.
- Then place Part 11 on, again firmly securing the part 12s into the grooves until Part 11 is sitting flush.
- Secure Part 11 by inserting the B lock screws into the holes provided in Parts 13, 14 and 16.
- Tighten the B lock screws firmly. (It is important not to over tighten the B lock screw)



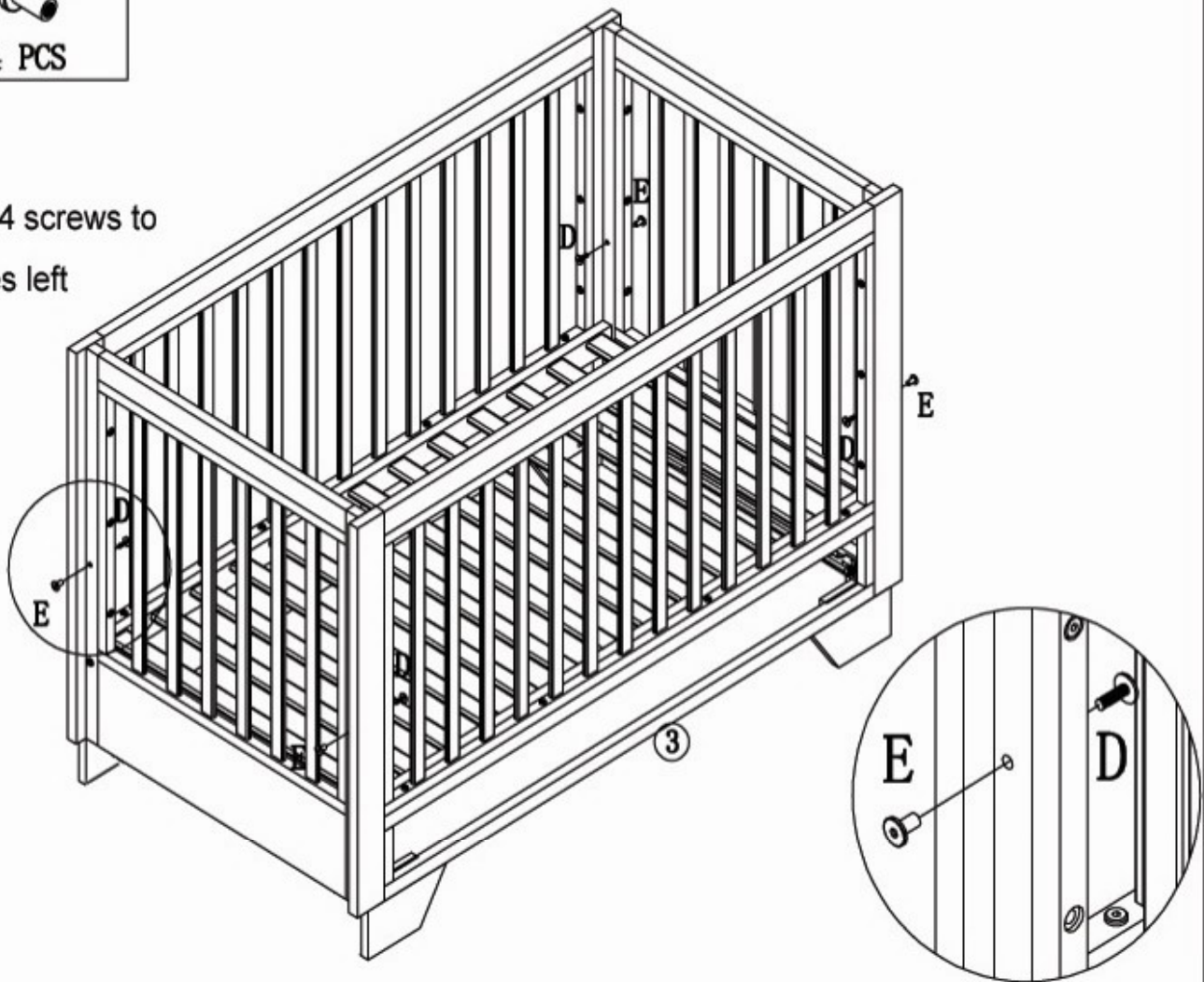
Dx4 PCS



Ex4 PCS

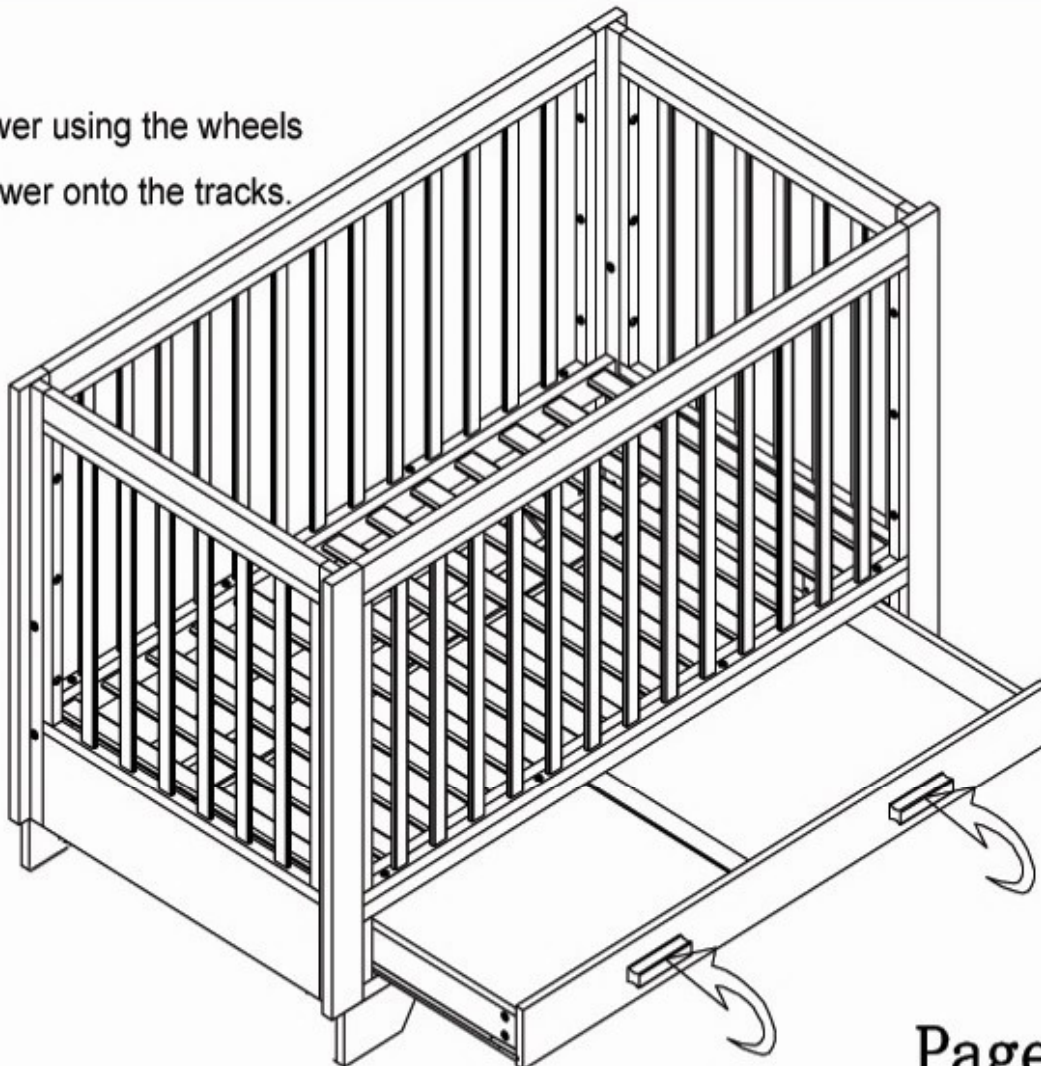
Step 10

-Use Dx4 and Ex4 screws to cover up the holes left in the Cot.



Step 11

-Insert the Drawer using the wheels to slide the Drawer onto the tracks.



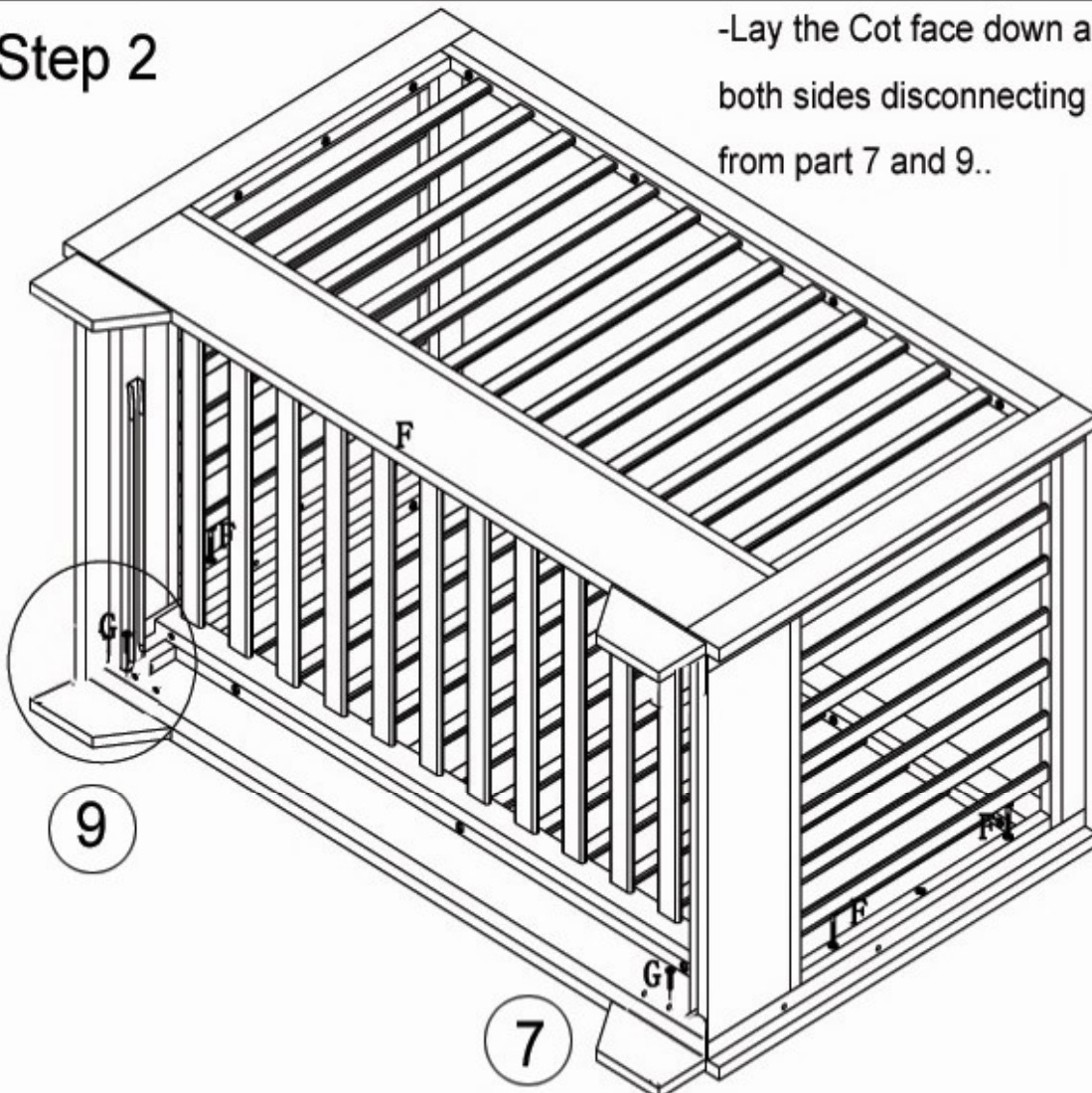
Convert to Toddler Bed

Step 1

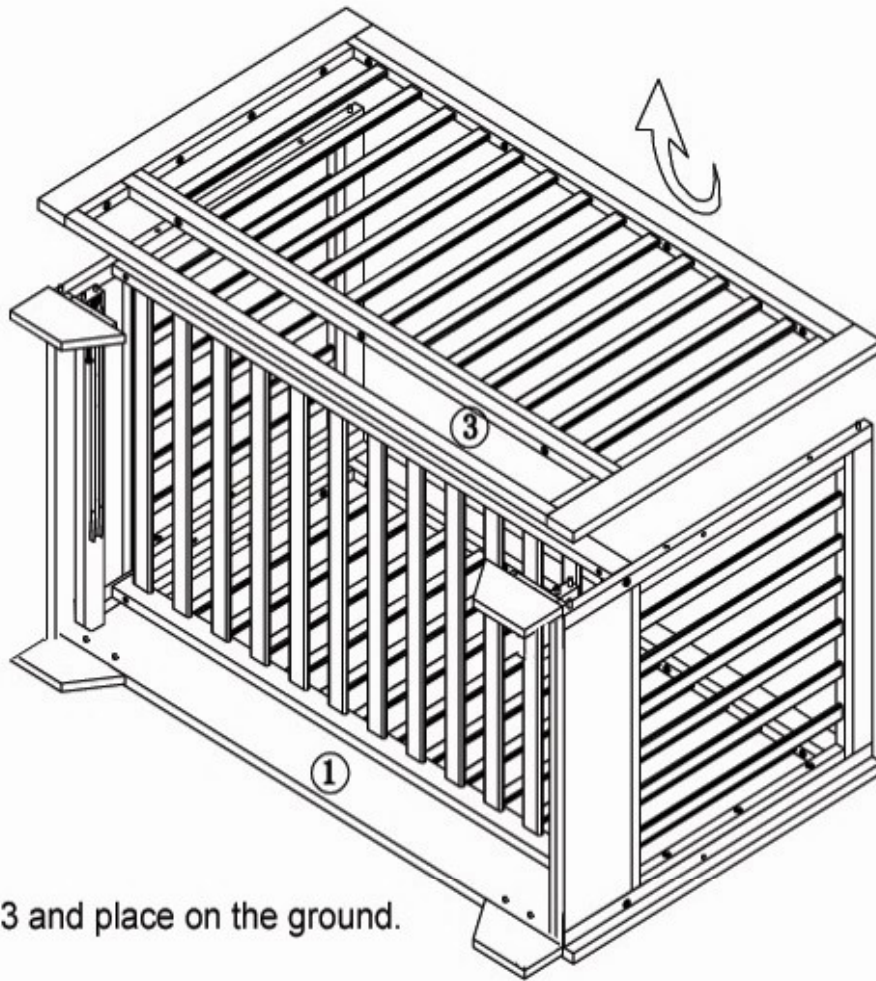


Step 2

-Lay the Cot face down and remove the G screws on both sides disconnecting the front side of the Cot from part 7 and 9..

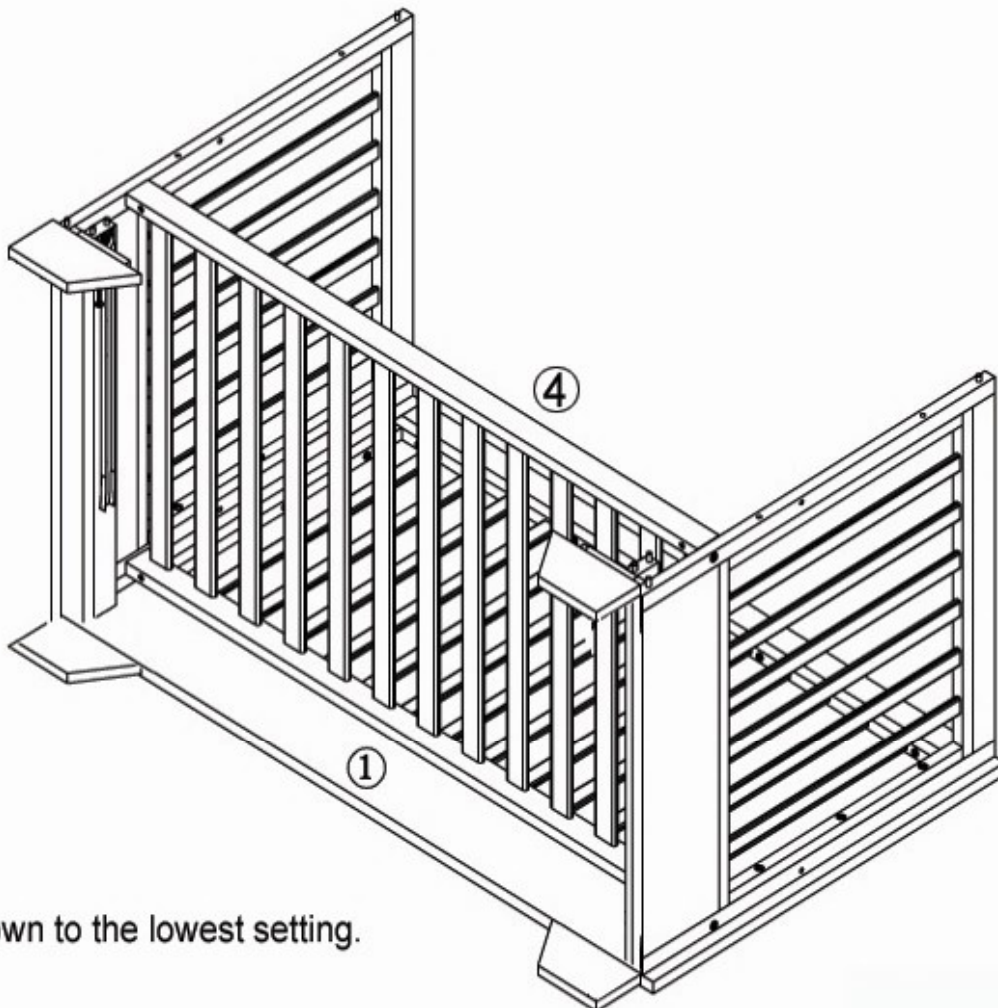


Step 3



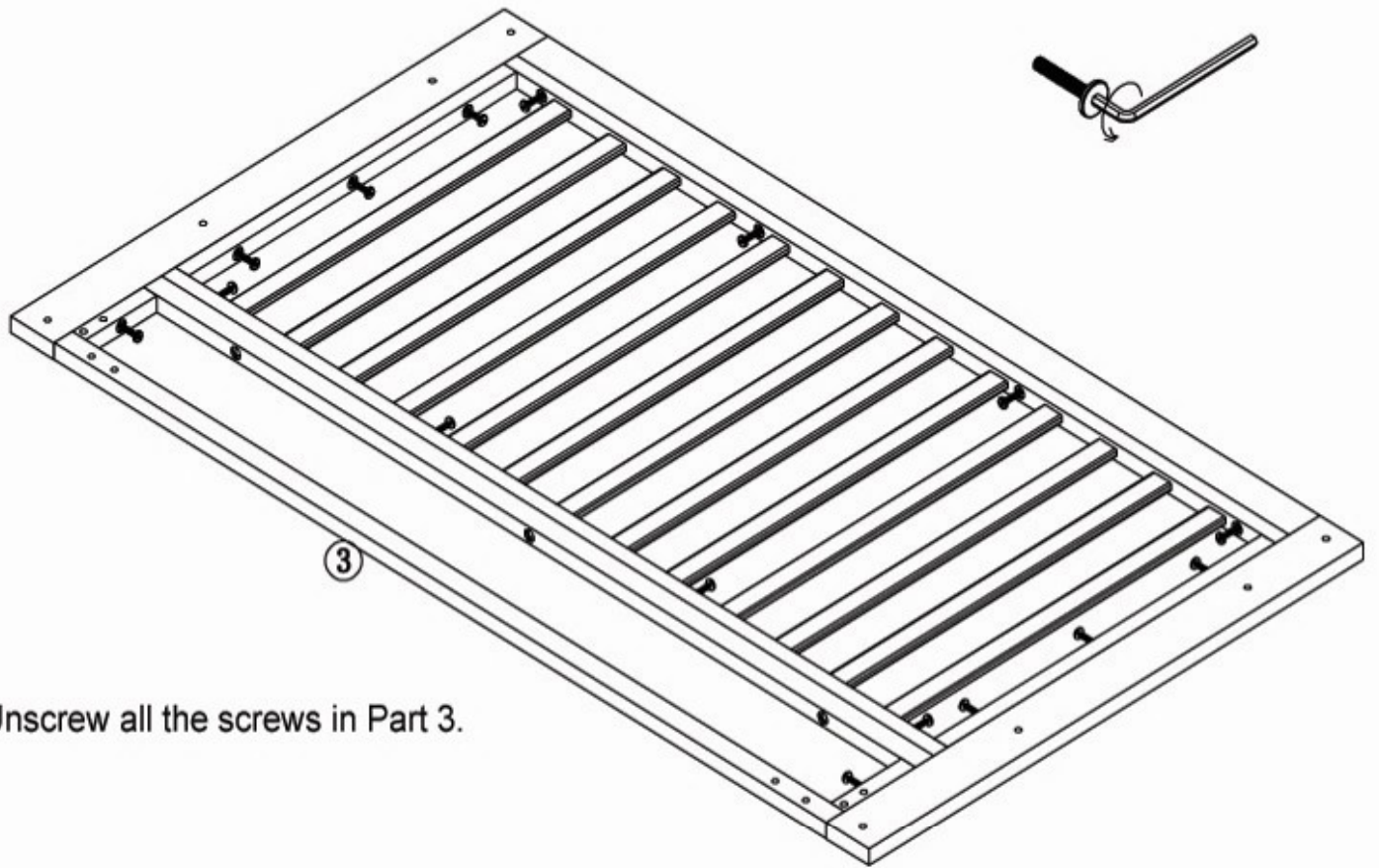
-Remove Part 3 and place on the ground.

Step 4



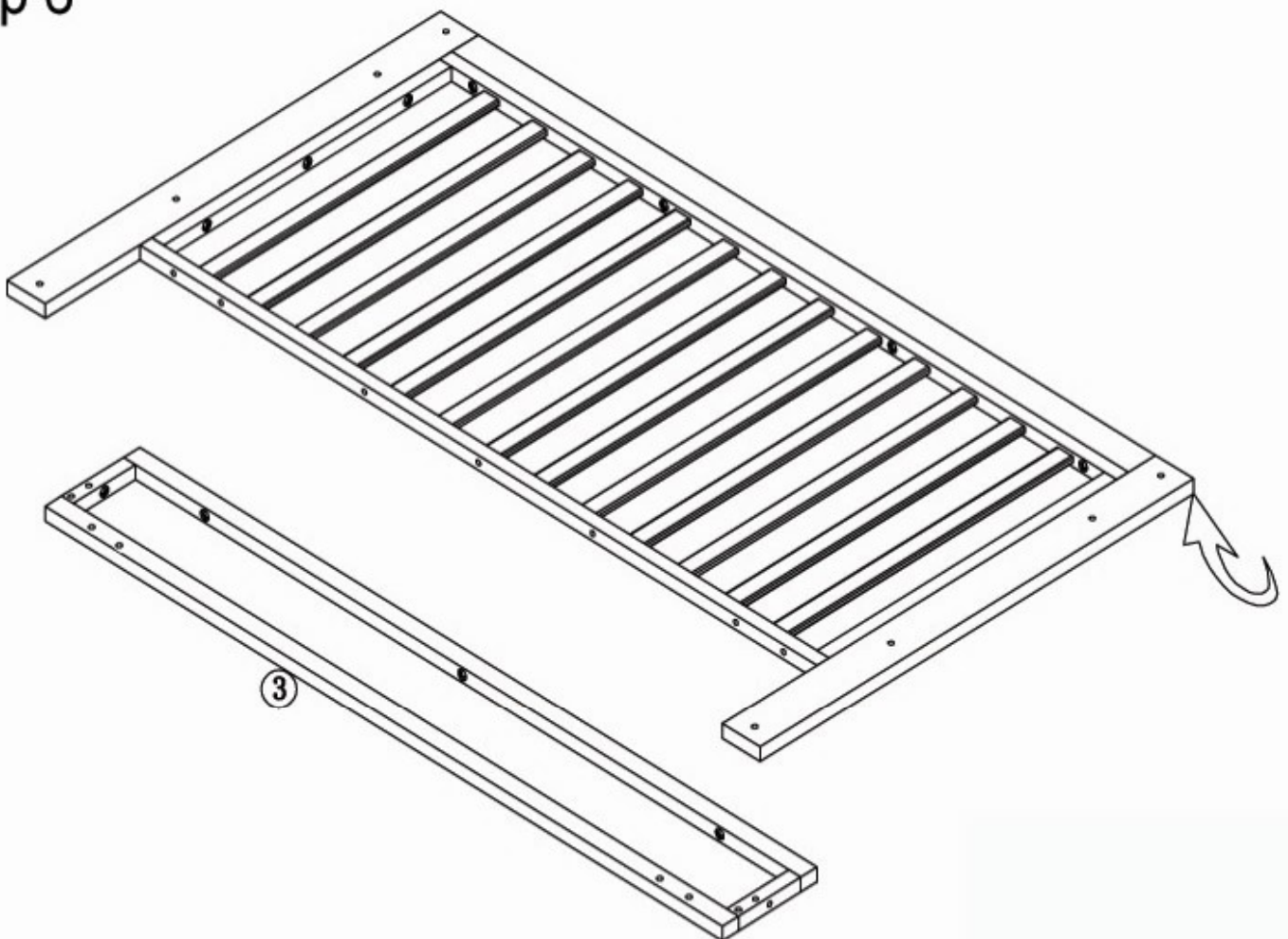
-Move Part 4 down to the lowest setting.

Step 5



-Unscrew all the screws in Part 3.

Step 6



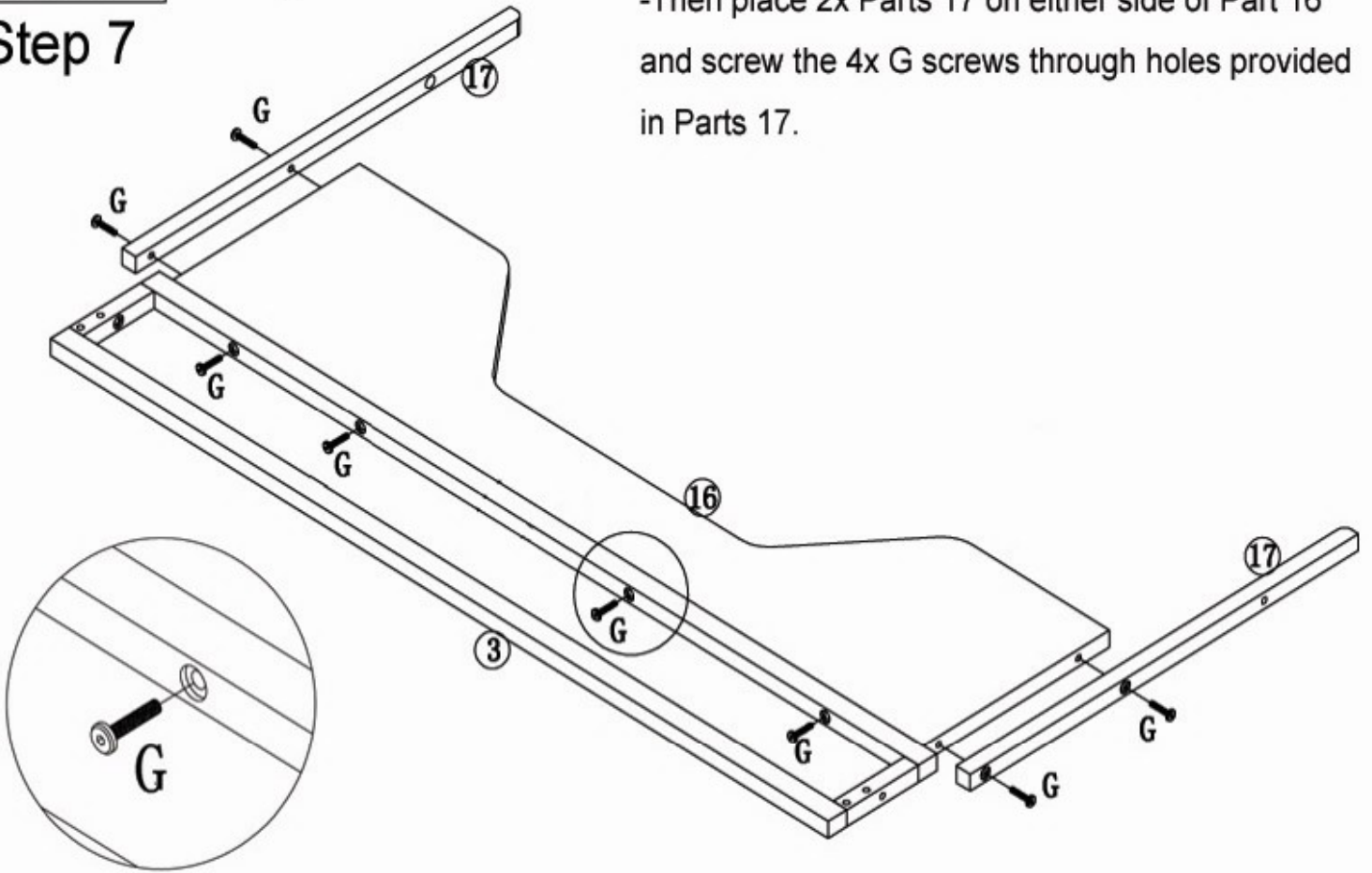
-Take away wooden slats piece, leaving the outer shell and Part 3.



Gx8 PCS

Step 7

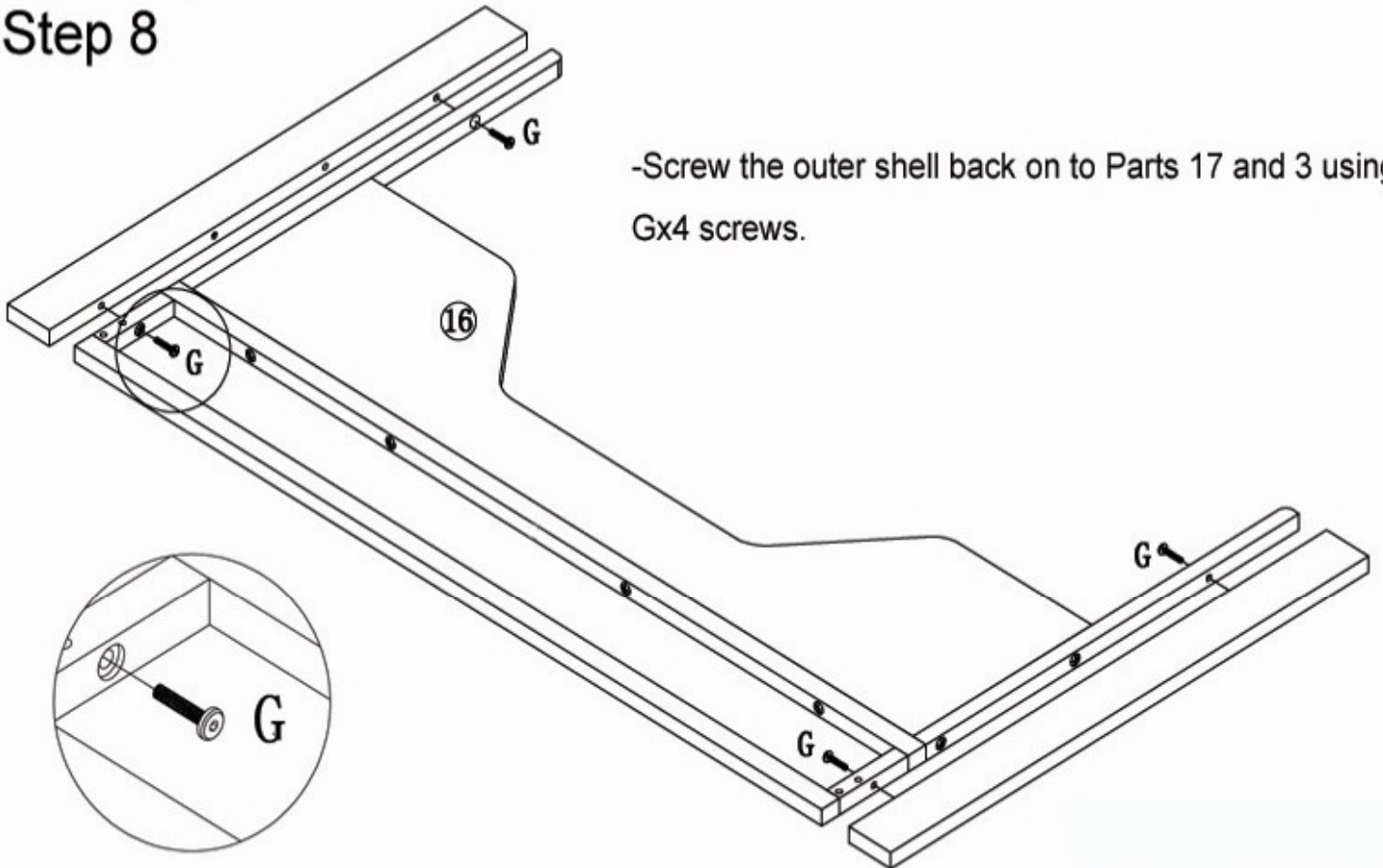
- Screw Part 16 onto part 3 using 4x G screws.
- Then place 2x Parts 17 on either side of Part 16 and screw the 4x G screws through holes provided in Parts 17.



Gx4 PCS

Step 8

- Screw the outer shell back on to Parts 17 and 3 using Gx4 screws.





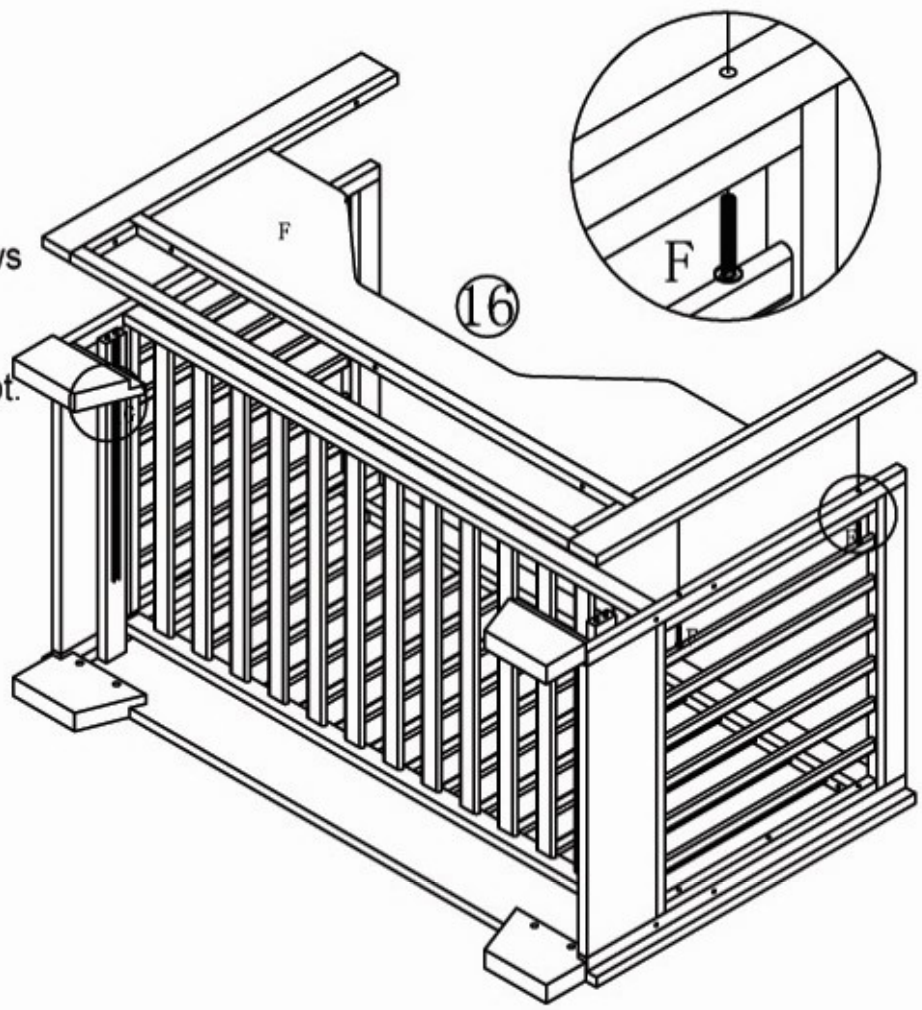
GX2 PCS



FX4 PCS

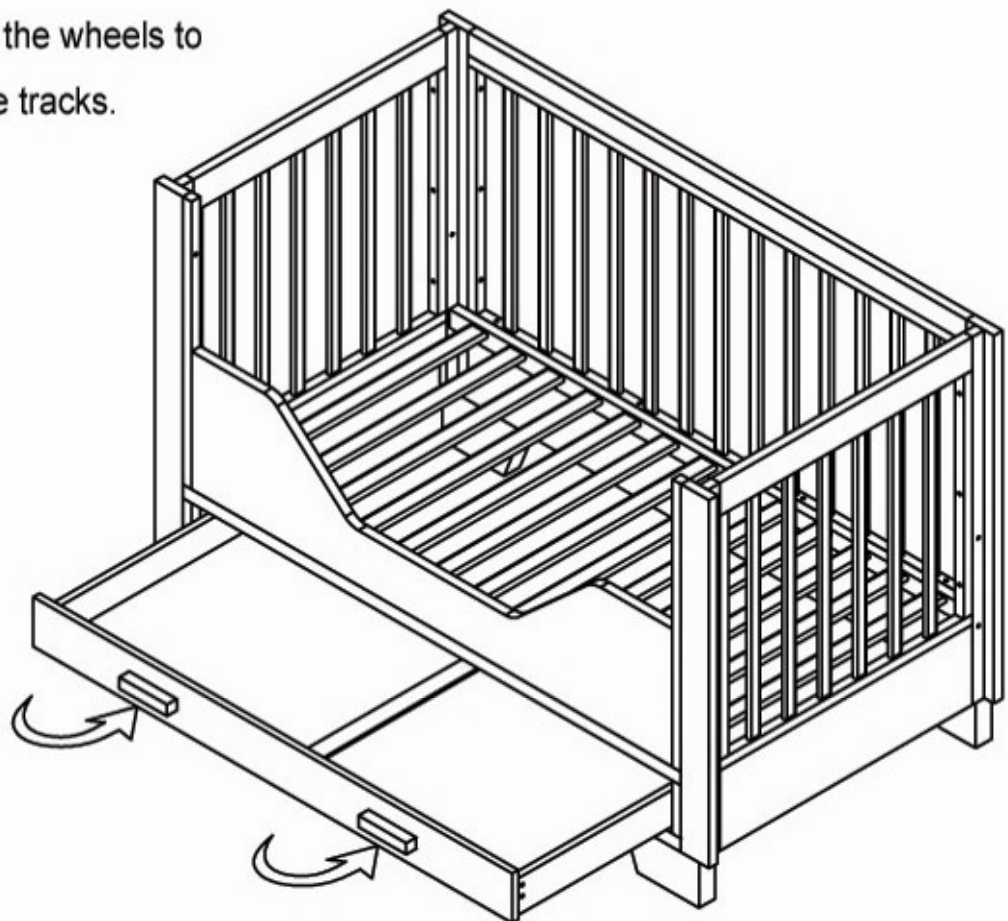
Step 9

-Re attach the entire piece back onto the Cot using the Fx4 screws on the sides of the Cot, and the 2x G screws at the feet of the Cot.



Step 10

-Insert the Drawer using the wheels to slide the Drawer onto the tracks.



IN USE:

'RECOMMENDED MATTRESS SIZE This cot has been manufactured for use with a mattress which measures 690mm wide by 1300mm long and 100mm in thickness. The width and length are specified because it is important that the gaps between the mattress and the sides and ends of the cot will not exceed 40mm. This is to minimize the risk of a child's limb becoming caught in the gap. The thickness of the mattress has been specified to ensure that the depth of the cot is greater than 500mm with the mattress base in the lower position to minimize the risk of a child climbing or falling out of the cot.'

WARNING: TO PREVENT FALLS, THE MATTRESS BASE OF THIS COT SHOULD BE ADJUSTED TO THE LOWEST POSITION BEFORE THE CHILD CAN SIT UP.

Notes:

- (1) follow the manufacturer's assembly instructions in detail to ensure the safety features of the cot are not compromised;
- (2) ensure the cot is placed at a reasonable distance from curtains, blinds, heaters and power points; and
- (3) keep medication, string, elastic, small toys or small items, such as money, out of reach from any position in the cot.

CARE AND MAINTENANCE

Regularly check for firmness of screws or damage which could render your cot unsafe or cause splinters.

To clean use a damp cloth, avoiding the use of strong detergents or abrasives.