



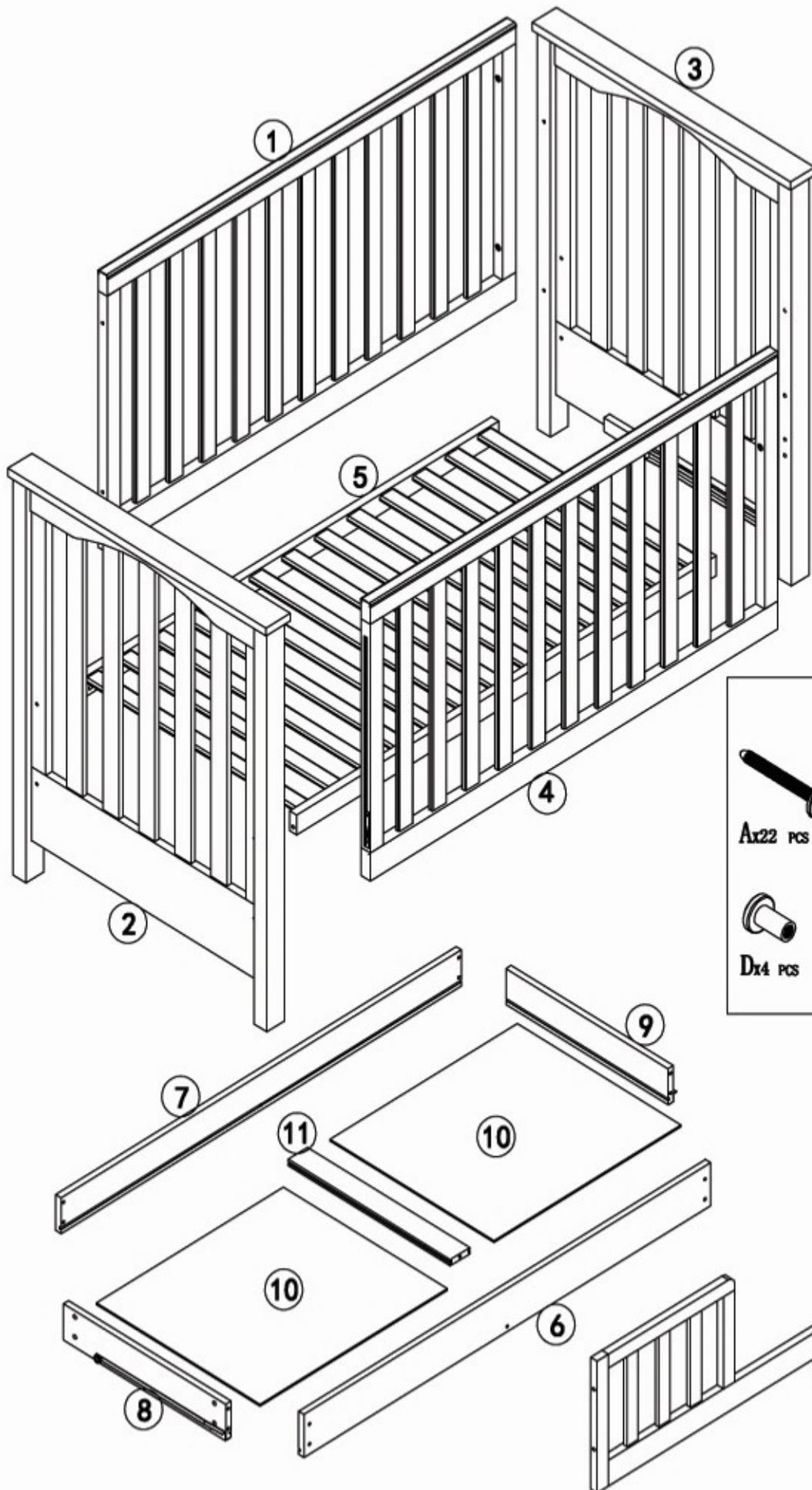
# ASSEMBLY INSTRUCTIONS



**IMPORTER: Cloud 9 Baby Bedrooms Pty Ltd**

**ADDRESS: 75/193 South Pine Road, Brendale, Queensland, 4500**

# Part List



## Part List:

①	①X 1PS	1
②	②X 1PS	1
③	③X 1PS	1
④	④X 1PS	1
⑤	⑤X 1PS	1
⑥	⑥X 1PS	1
⑦	⑦X 1PS	1
⑧	⑧X 1PS	1
⑨	⑨X 1PS	1
⑩	⑩X 1PS	2
⑪	⑪X 1PS	1
⑫	⑫X 1PS	1

## HARDWARE



Ax22 pcs



Bx14 pcs



Cx4 pcs



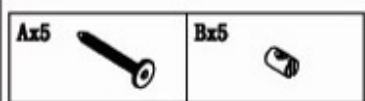
Dx4 pcs



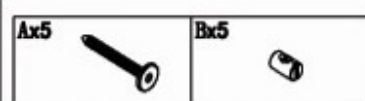
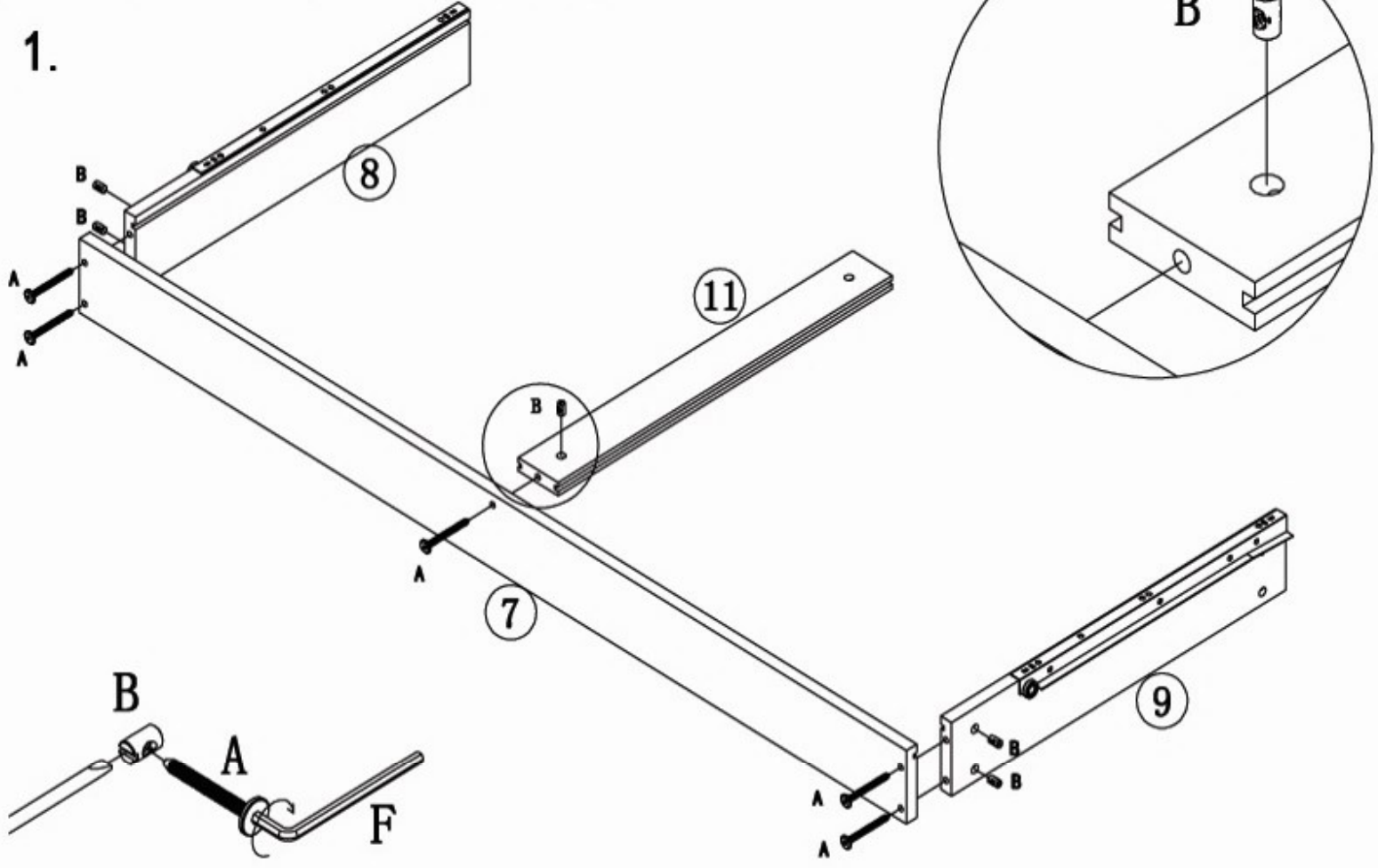
Ex4 pcs



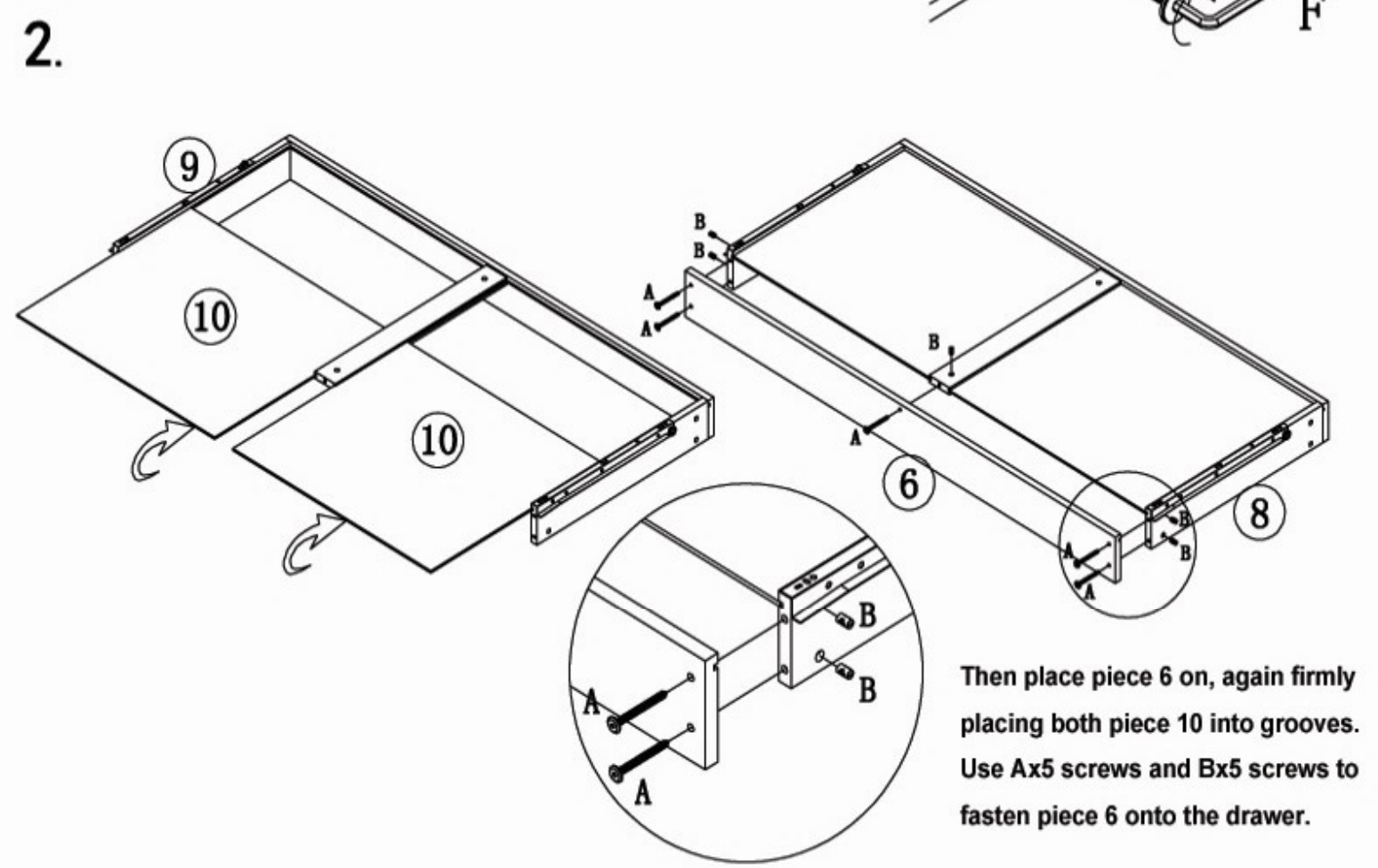
Fx2 pcs



Attach pieces 8, 9 and 11 to piece 7 using Ax5 screws and Bx5 nuts



Slide in 2x piece 10 into grooves provided, making sure that they are firmly and evenly placed into the groove.



Then place piece 6 on, again firmly placing both piece 10 into grooves. Use Ax5 screws and Bx5 screws to fasten piece 6 onto the drawer.

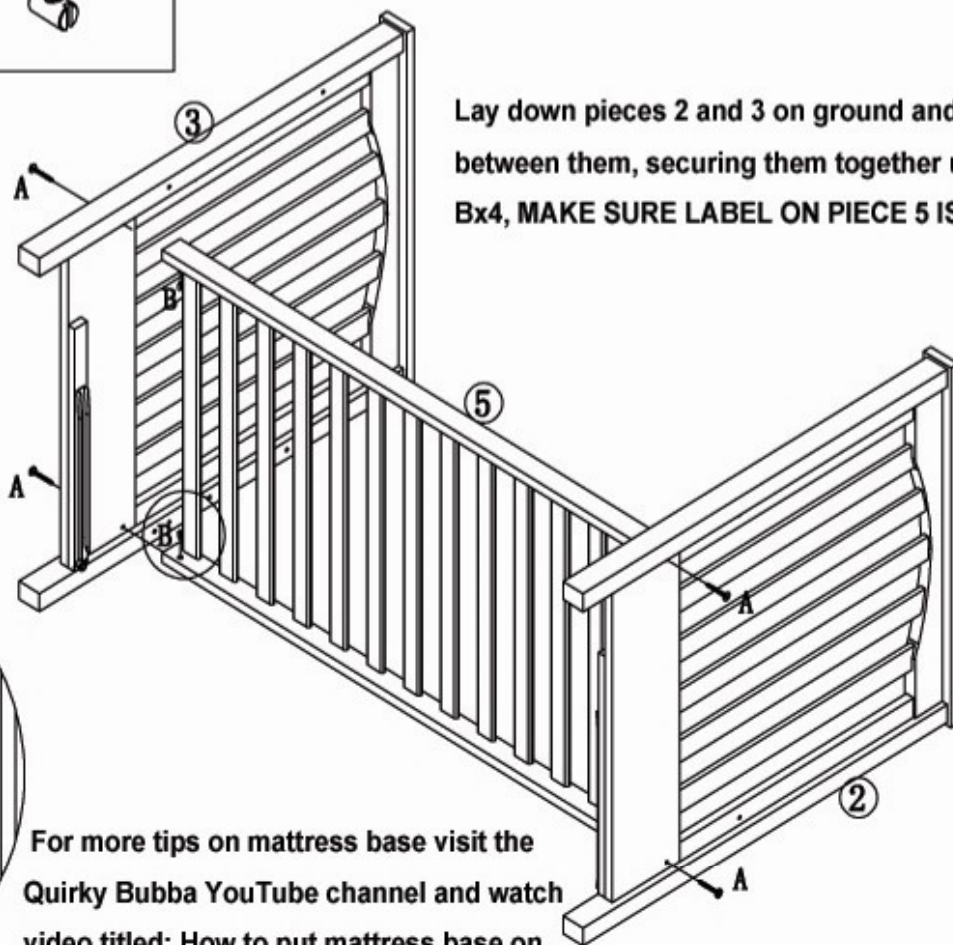
Ax4



Bx4

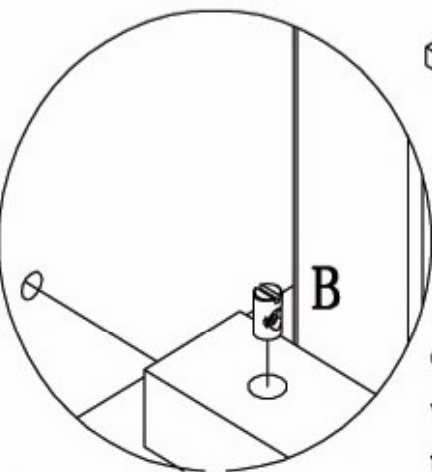


3.



Lay down pieces 2 and 3 on ground and place piece 5 between them, securing them together using Ax4 and Bx4, MAKE SURE LABEL ON PIECE 5 IS FACING UP.

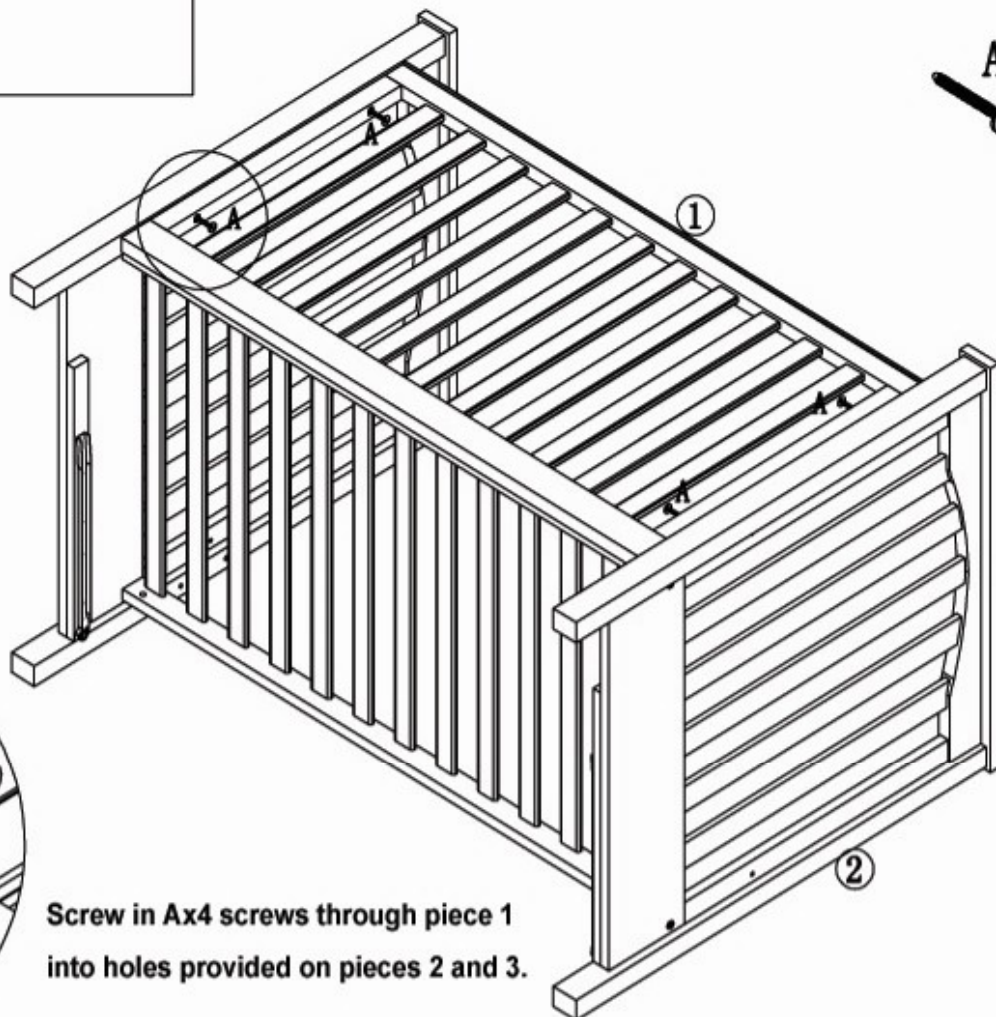
For more tips on mattress base visit the Quirky Bubba YouTube channel and watch video titled: How to put mattress base on the cots.



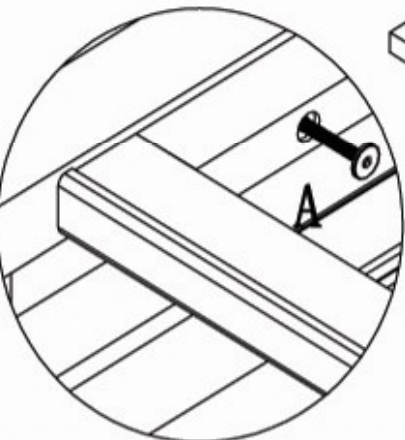
Ax4



4.



Screw in Ax4 screws through piece 1 into holes provided on pieces 2 and 3.

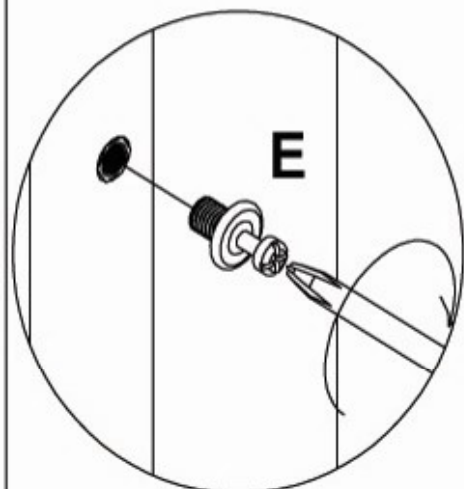


Ex4

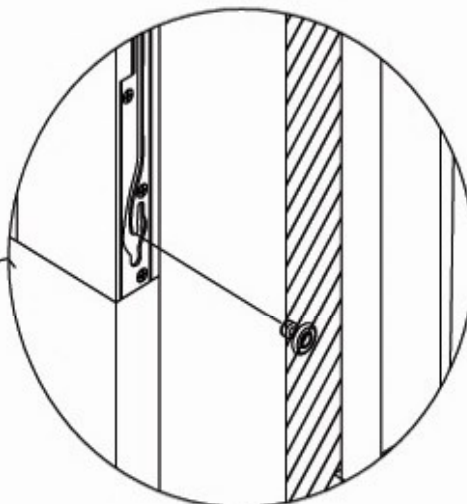
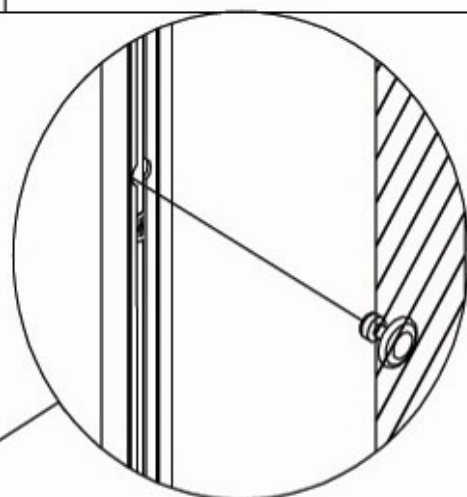


Stand Cot up and screw in Ex4 into top and bottom screw holes in both piece 2 and 3.

5.



6.



To install piece 4, line up pins on piece 2 and 3 with holes on piece 4. For more info on the drop rail refer to the Quirky Bubba YouTube channel and watch video titled: Drop Rail handy tips.

Dx4

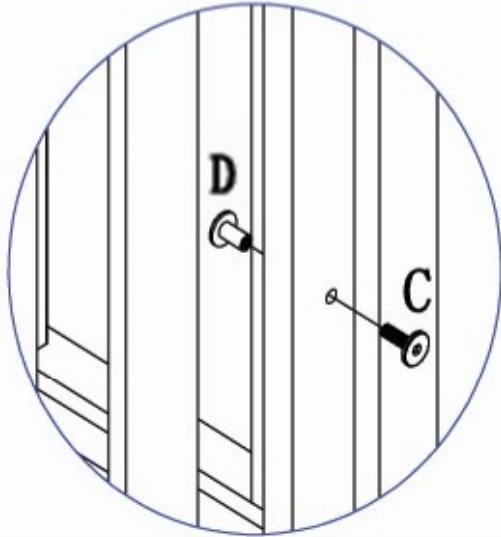
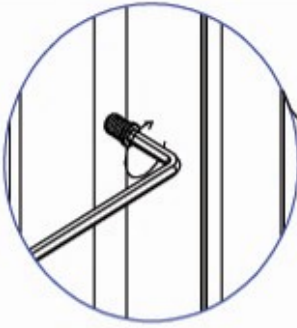


Cx4

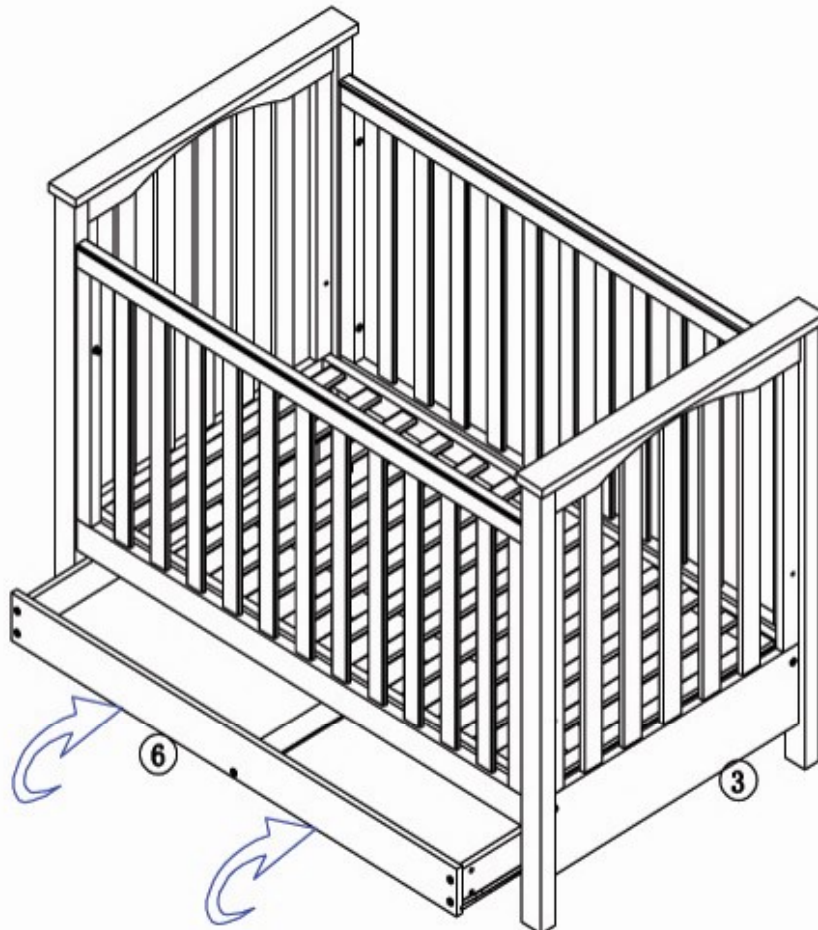


Make sure to screw in the 2 screws on piece 4 BEFORE USING.

7.



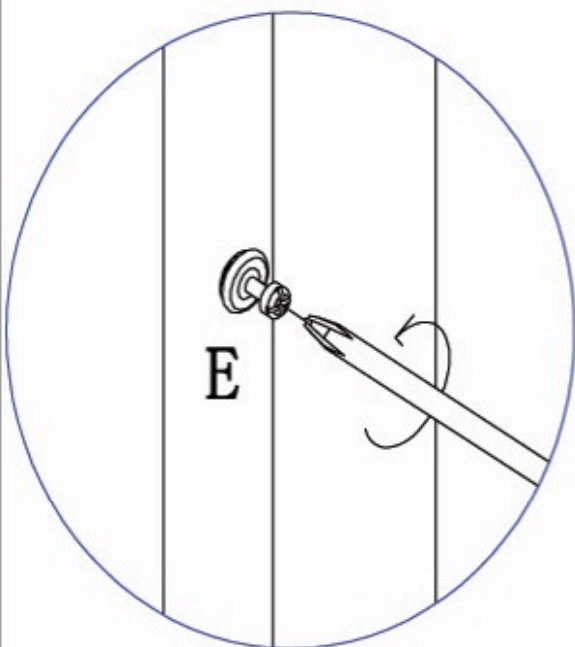
8.



Insert drawer using the wheels to the slide drawer onto the tracks.

9.

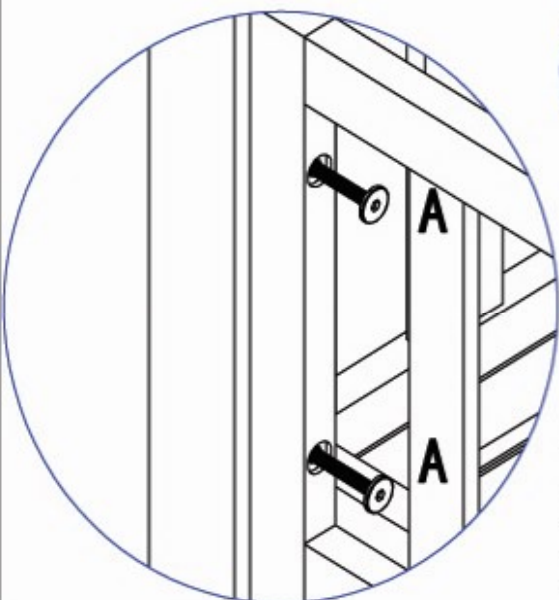
To install toddler rail remove drop rail and unscrew 4xE screws.



Ax4



10.



Place piece 12 between pieces 2 and 3 and screw in 4xA screws.

## **IN USE:**

**'RECOMMENDED MATTRESS SIZE** This cot has been manufactured for use with a mattress which measures 690mm wide by 1300mm long and 100mm in thickness. The width and length are specified because it is important that the gaps between the mattress and the sides and ends of the cot will not exceed 40mm. This is to minimize the risk of a child's limb becoming caught in the gap. The thickness of the mattress has been specified to ensure that the depth of the cot is greater than 500mm with the mattress base in the lower position to minimize the risk of a child climbing or falling out of the cot.'

**WARNING: TO PREVENT FALLS, THE MATTRESS BASE OF THIS COT SHOULD BE ADJUSTED TO THE LOWEST POSITION BEFORE THE CHILD CAN SIT UP.**

### **Notes:**

(1) follow the manufacturer's assembly instructions in detail to ensure the safety features of the cot are not compromised;

(2) ensure the cot is placed at a reasonable distance from curtains, blinds, heaters and power points; and

(3) keep medication, string, elastic, small toys or small items, such as money, out of reach from any position in the cot.

## **CARE AND MAINTENANCE**

Regularly check for firmness of screws or damage which could render your cot unsafe or cause splinters.

To clean use a damp cloth, avoiding the use of strong detergents or abrasives.