

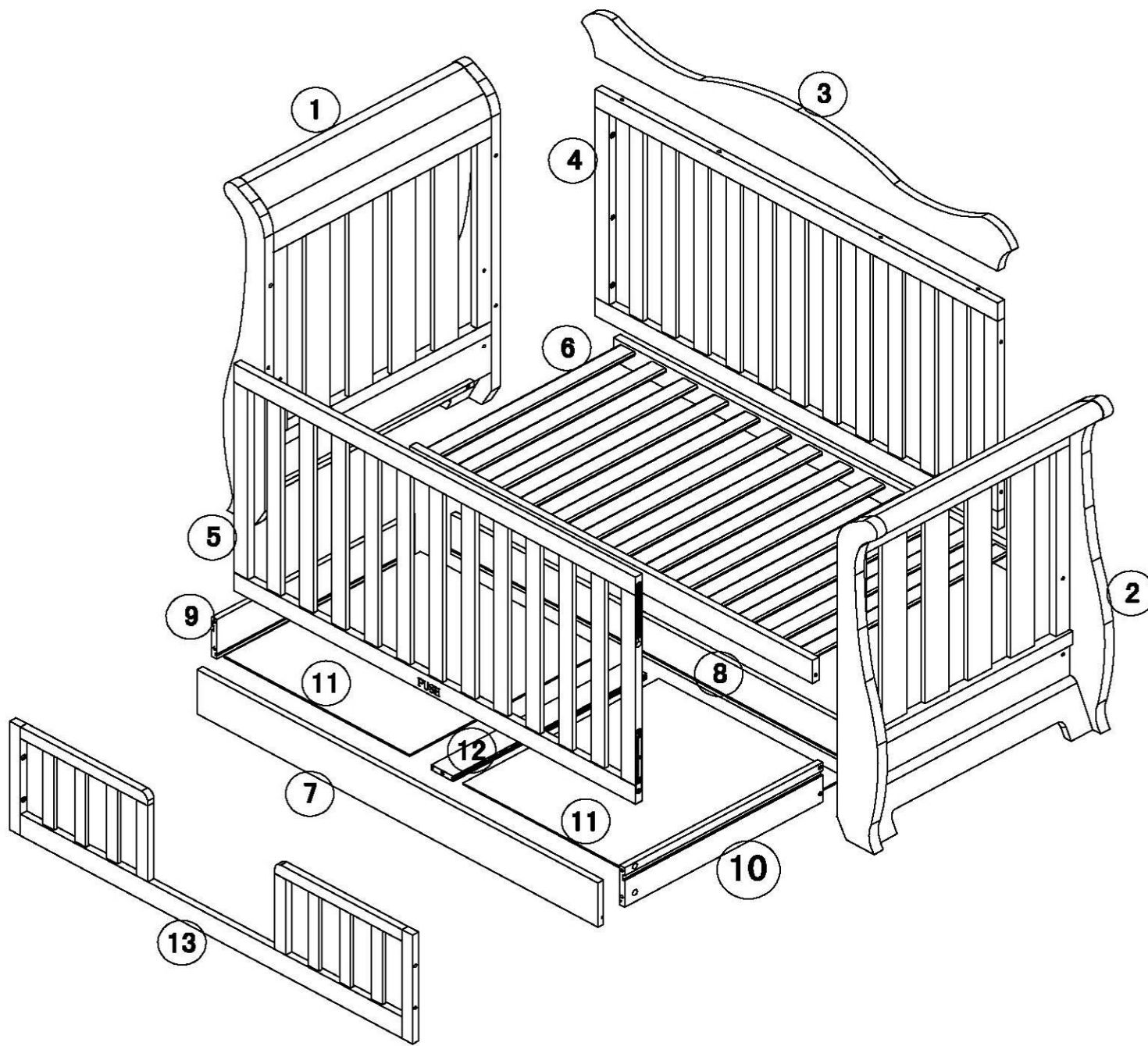


ASSEMBLY INSTRUCTIONS



IMPORTER: Cloud 9 Baby Bedrooms Pty Ltd

ADDRESS: 75/193 South Pine Road, Brendale, Queensland, 4500

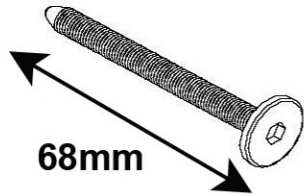


Parts List

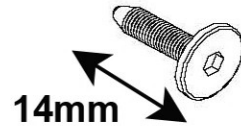
①	① X 1
②	② X 1
③	③ X 1
④	④ X 1
⑤	⑤ X 1
⑥	⑥ X 1
⑦	⑦ X 1
⑧	⑧ X 1
⑨	⑨ X 1
⑩	⑩ X 1
⑪	⑪ X 2
⑫	⑫ X 1
⑬	⑬ X 1

Hardware list

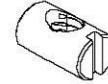
B*12
B SCREWS



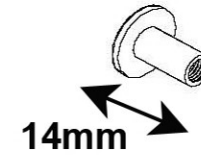
C*4
HOLE COVER SCREWS



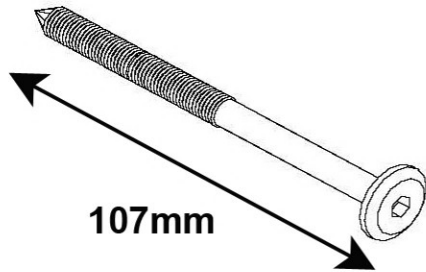
D*8
NUT



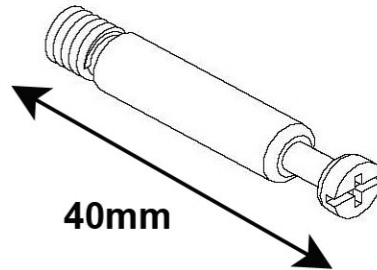
E*4
HOLE COVER NUT



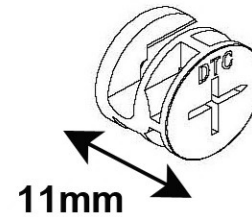
F*4
F SCREWS



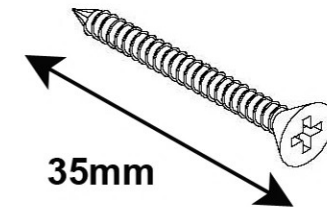
G*5
LOCKING PIN



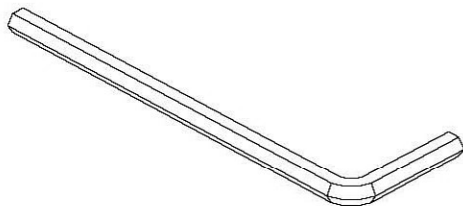
H*5
CAM BOLT



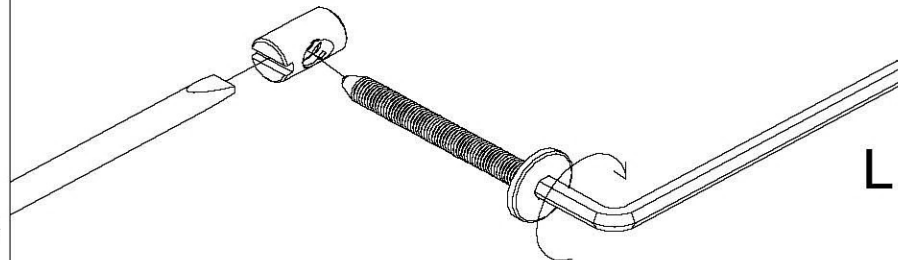
K*5
SCREW



L*2
ALLEN KEY



D



1.

Fx4



Dx4



STEP 1: SCREW ON PART 3 TO PART 4 USING 4 X D NUTS, AND 4 X F SCREWS

2.

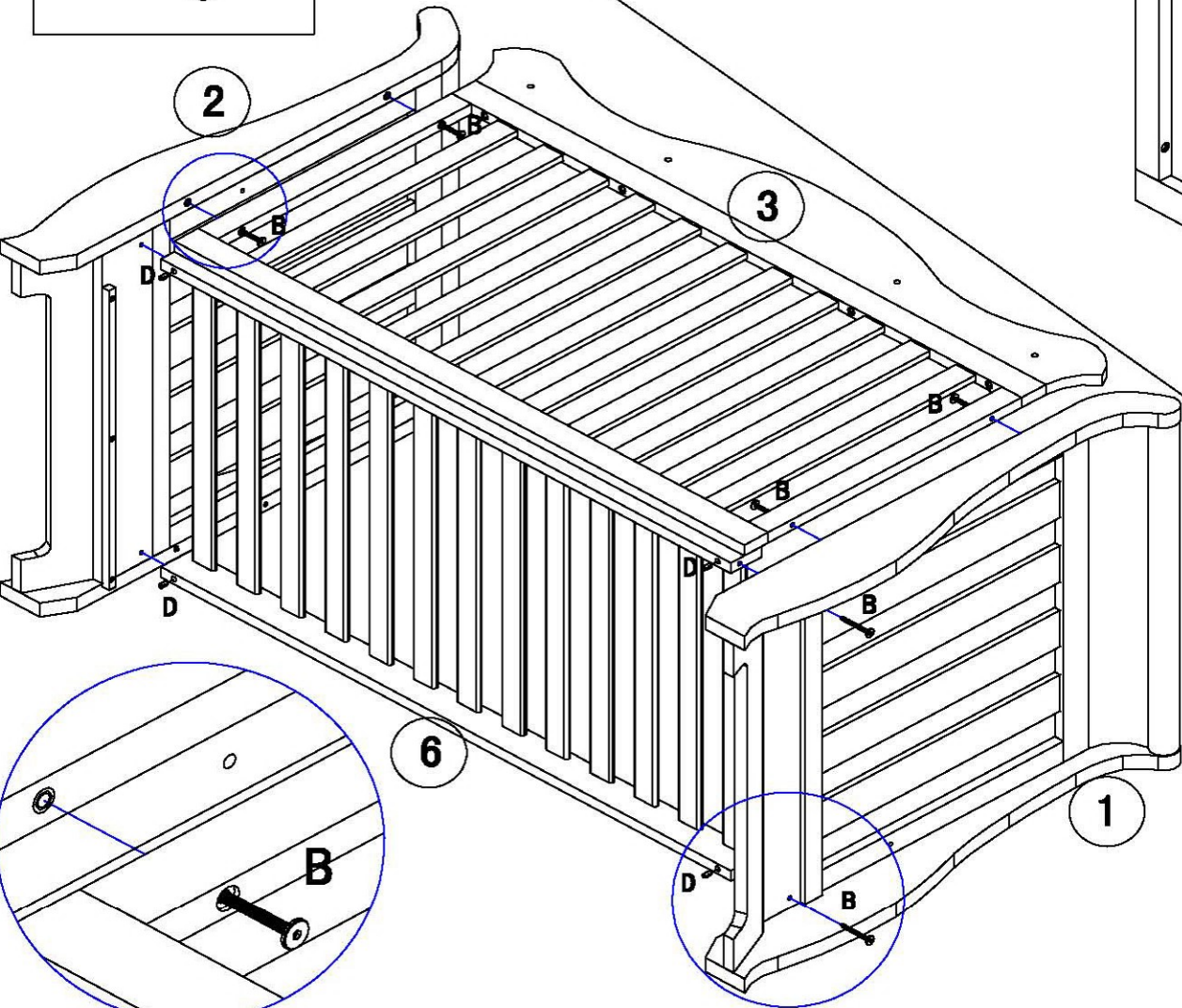
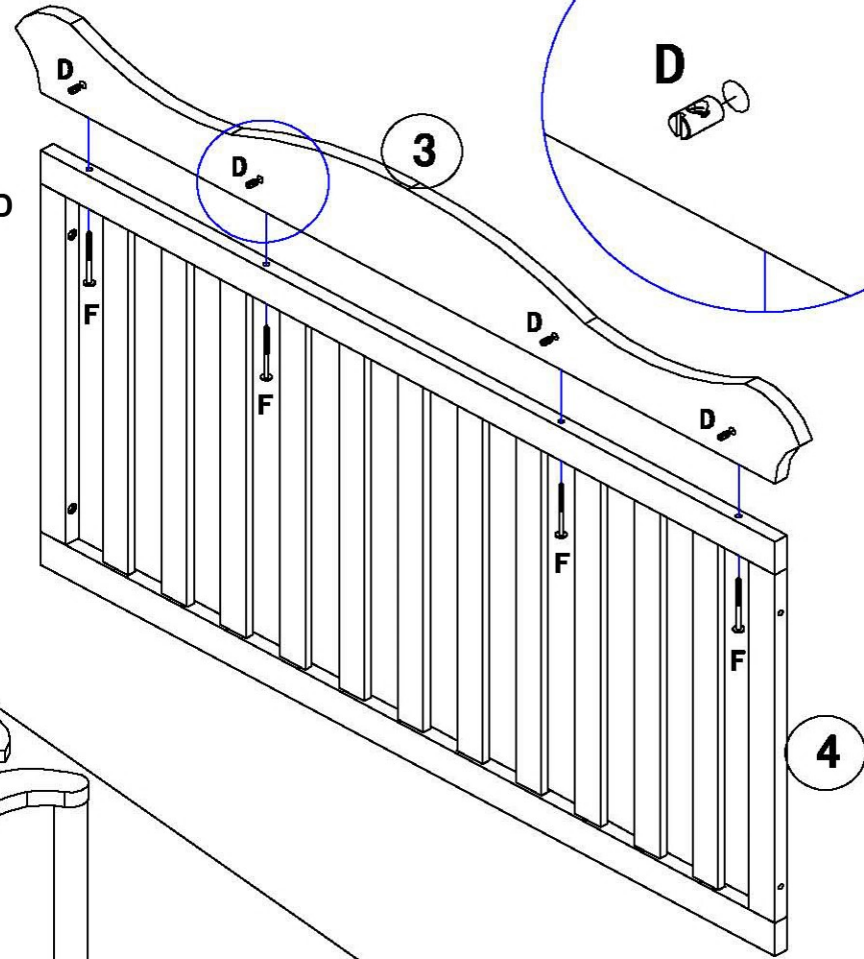
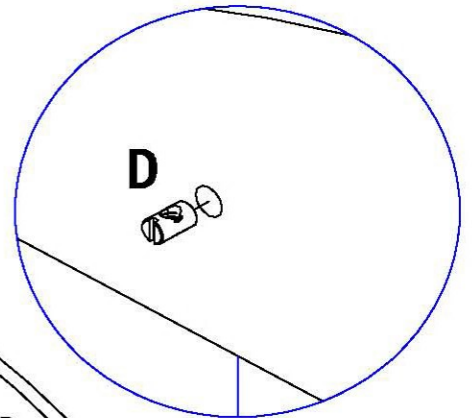
STEP 2: ATTACH PART 1 & PART 2 TO PART 4 USING 4 X B SCREWS.

STEP 3: ATTACH PART 6 TO PART 1 AND 2 USING 4 X B SCREWS AND 4 X D NUTS

Bx8



Dx4



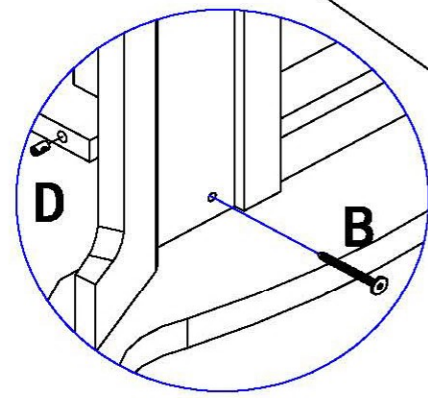
4

3

2

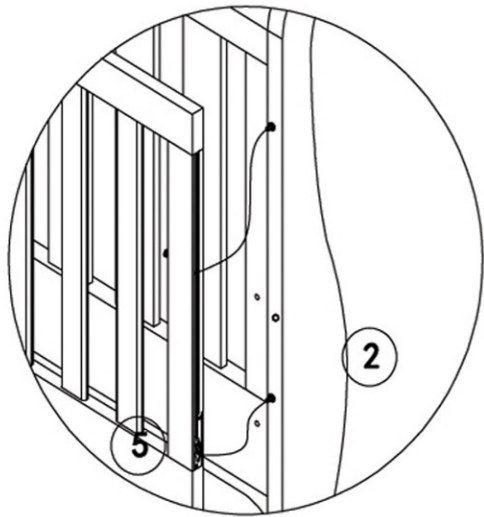
1

6



L

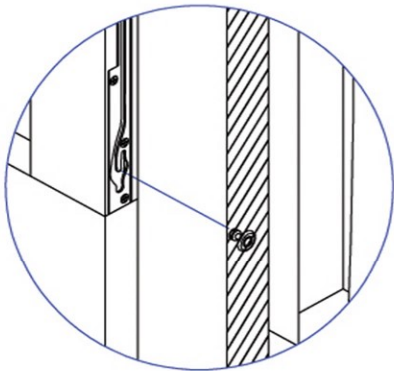
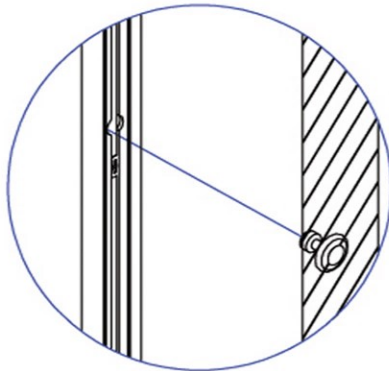
3.



FIRSTLY MAKE SURE THE SCREWS IN THE DROP RAIL ARE LOOSELY UNSCREWED, THEN LINE UP THE TWO HOLES ON THE SIDE OF THE DROP RAIL WITH THE METAL STUDS ON THE LEGS.

TIGHTEN THE SCREWS ON DROP RAIL.

4.



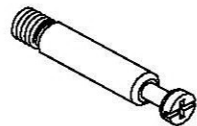
HOW TO USE DROPRAIL:

- 1, LIFT UP FROM THE TOP OF THE RAIL**
- 2, PUSH THE BOTTOM OF THE DROPRAIL WITH YOUR LEG WHERE THE 'PUSH' STICKER IS.**
- 3, SLIDE THE DROPRAIL DOWN.**

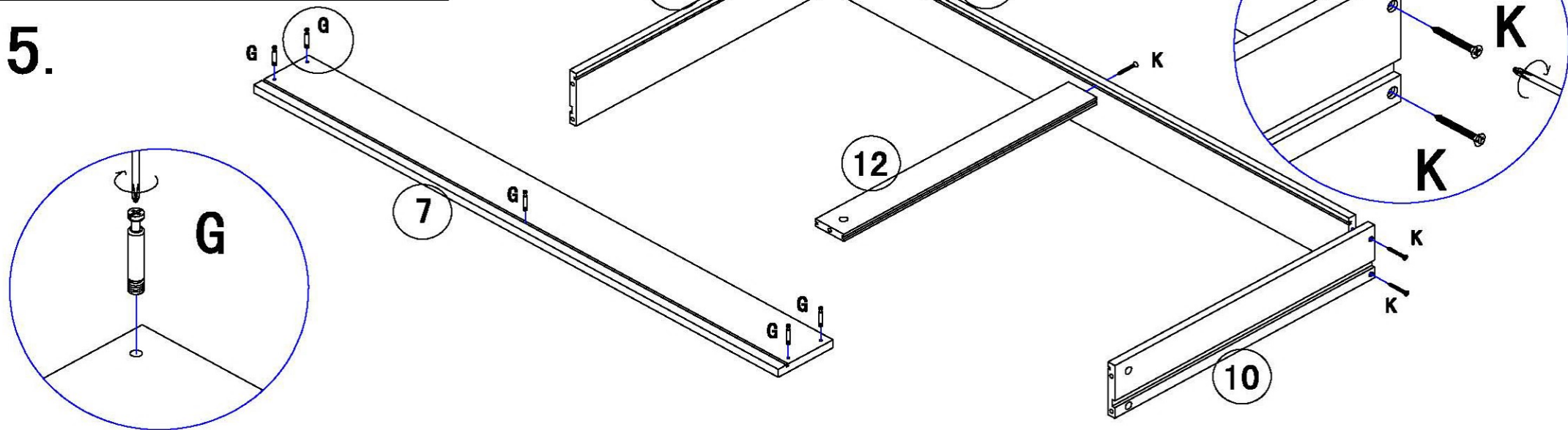
Kx5



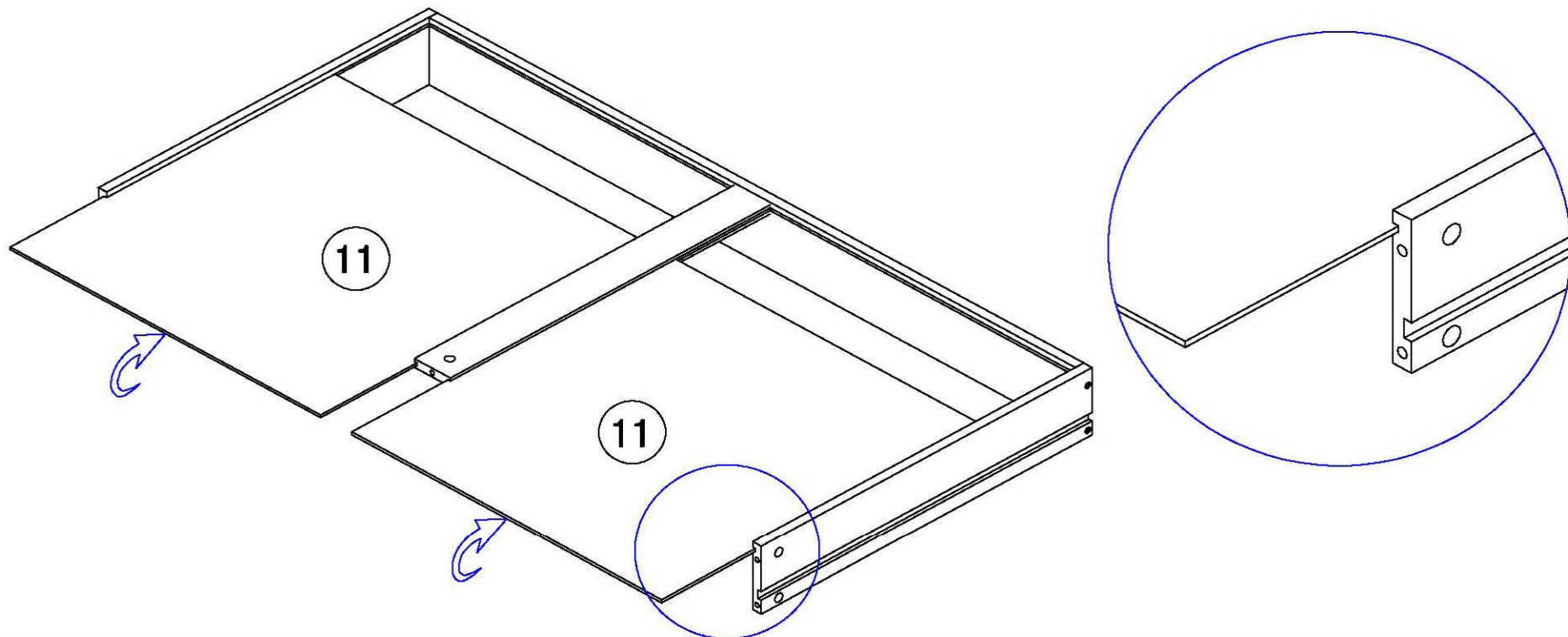
Gx5



5.



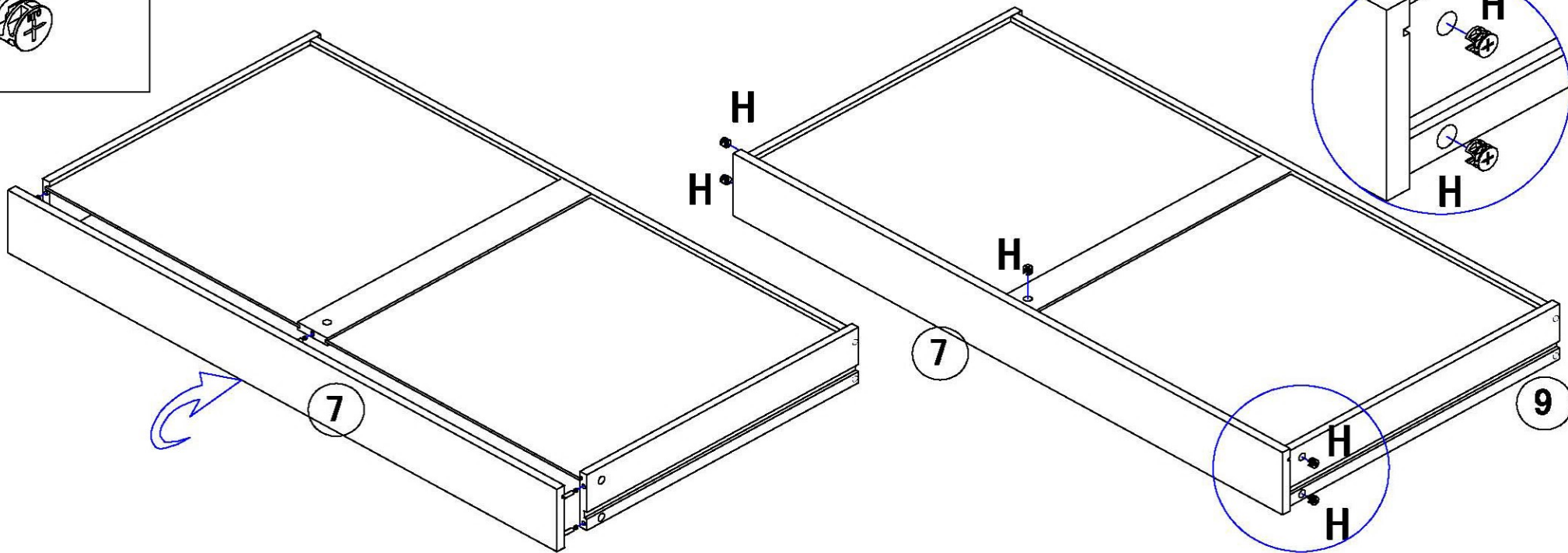
6.



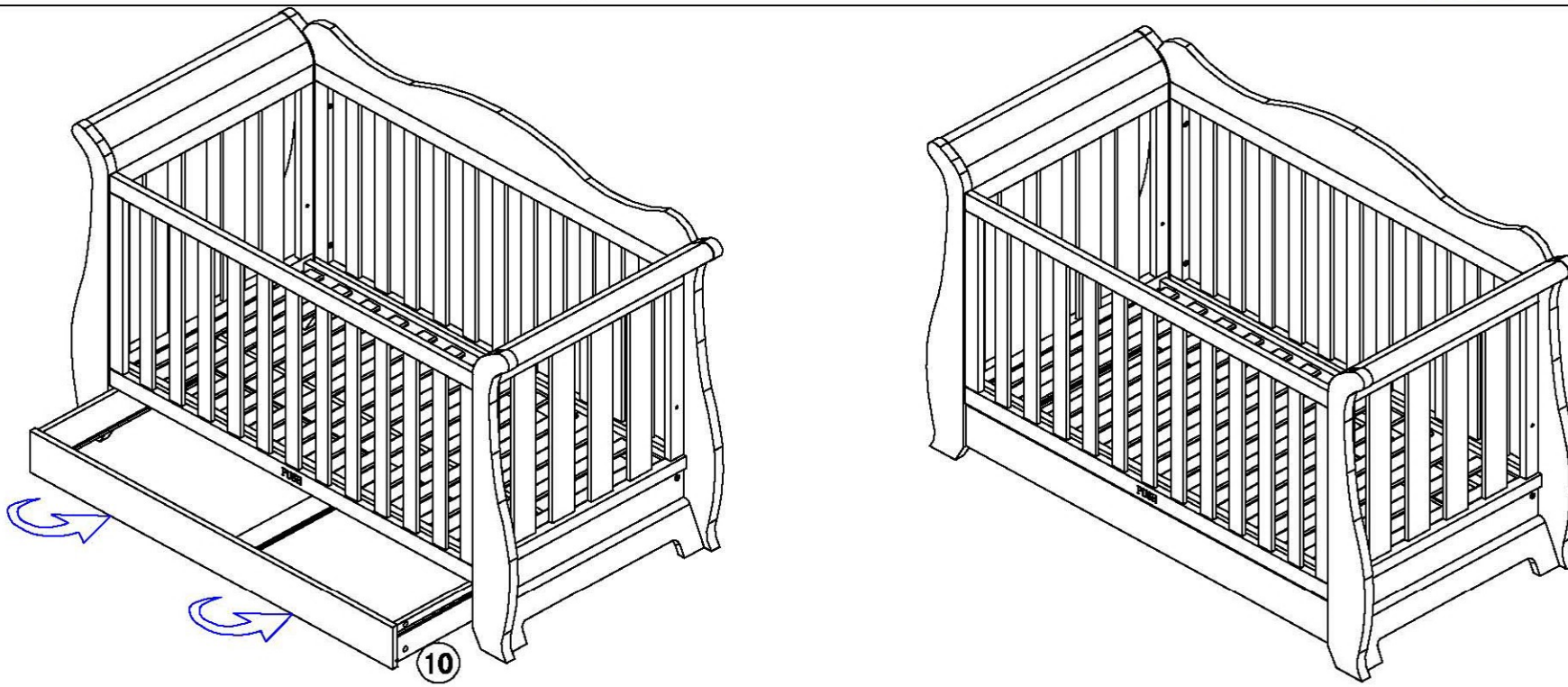
Hx5



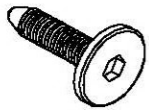
7.



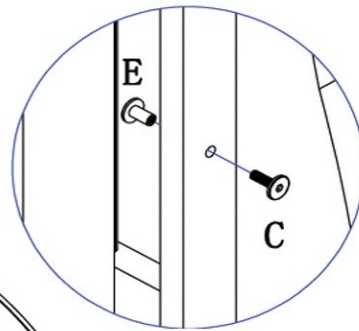
8.



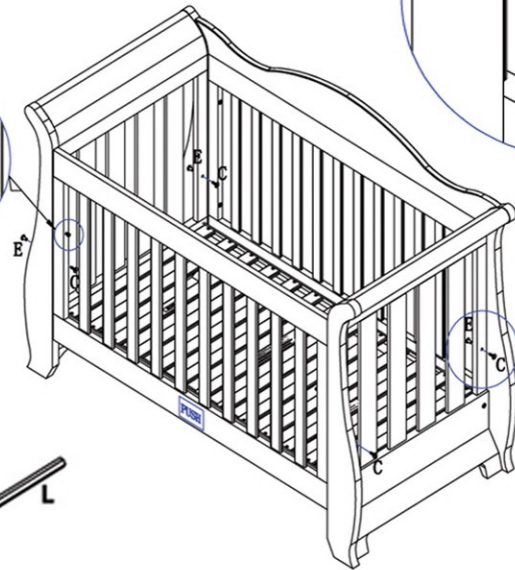
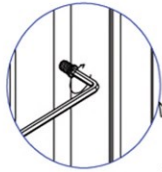
Cx4



Ex4



9.



SCREW IN HOLE COVER SCREWS INTO UNUSED HOLES

CONVERT TO A TODDLER BED

1, FIRST YOU HAVE TO TAKE OFF THE DROP RAIL. LOOSEN THE MATTRESS BASE AT BOTH ENDS, THEN LOOSEN THE SCREWS ON THE DROP RAIL.



2, THEN GENTLY PULL APART THE LEGS OF THE ENDS UNTIL THE DROPRAIL IS LOOSE FROM THE LEGS.

3, FINALLY MANOEUVER THE DROP RAIL OUT.

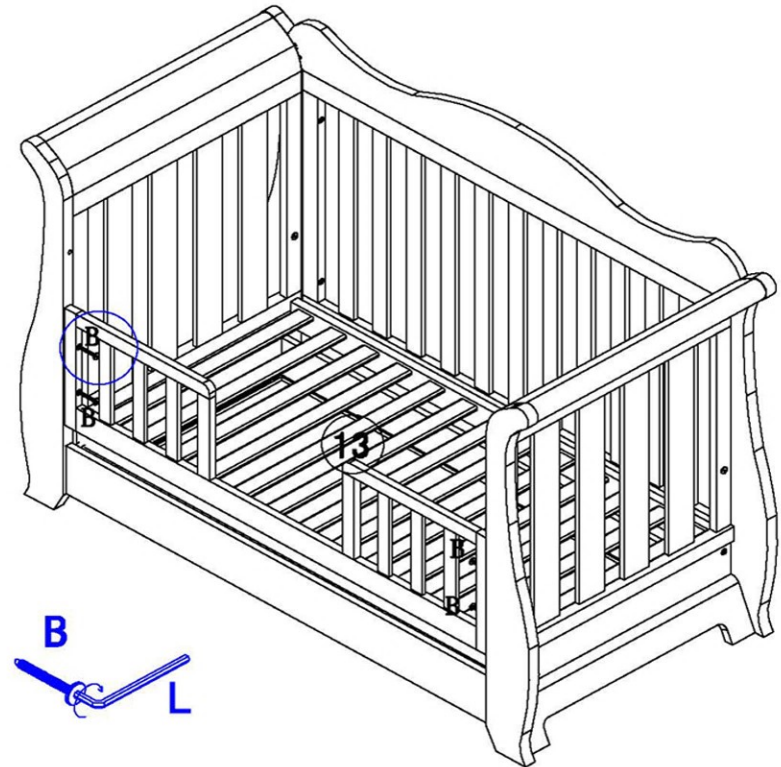
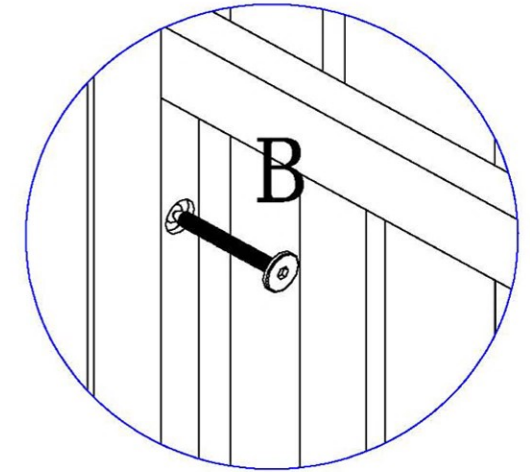
4, WHEN CONVERTING FROM A COT TO A TODDLER BED, IT IS IMPORTANT TO LOWER THE MATTRESS BASE TO THE LOWEST POINT, DO THIS BY UNSCREWING ALL 4 SCREWS IN THE MATTRESS BASE. LOWERING, THEN RESCREWING AND TIGHTENING.



Bx4



10.



5, NOW THAT THE DROPRAIL IS OUT, TAKE THE TODDLER RAIL AND SCREW INTO THE TWO HOLES USING 4 X B SCREWS.

IN USE:

RECOMMENDED COT MATTRESS SIZE. This Cot has been manufactured for use with a mattress which measures 690mm wide by 1300mm long and 100mm in thickness. The width and length are specified because it is important that the gaps between the mattress and the sides and ends of the Cot will not exceed 40mm. This is to minimize the risk of a child's limb becoming caught in the gap. The thickness of the mattress has been specified to ensure that the depth of the Cot is greater than 500mm with the mattress base in the lower position, to minimize the risk of a child climbing or falling out of the Cot.

WARNING: TO PREVENT FALLS, THE MATTRESS BASE OF THIS COT SHOULD BE ADJUSTED TO THE LOWEST POSTION BEFORE THE CHILD CAN SIT UP.

NOTES:

- (1) follow the manufacturer's assembly instructions in detail to ensure the safety features of the cot are not comprised.
- (2) ensure the Cot is placed at a reasonable distance from curtains, blinds, heaters, and power points; and
- (3) keep medication, string, elastic, small toys or small items, such as money, out of reach from any position in the Cot.
- (4) remove the plastic from the Cot Mattress prior to placing the mattress in the Cot. Dispose of the plastic bag immediately.

CARE AND MAINTENANCE

Regularly check for firmness of screws or damage which could render your Cot unsafe or cause splinters.

To clean, use a damp cloth, avoiding the use of strong detergents or abrasives.