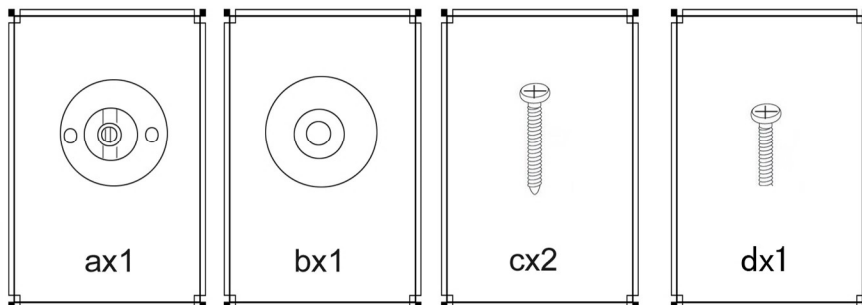
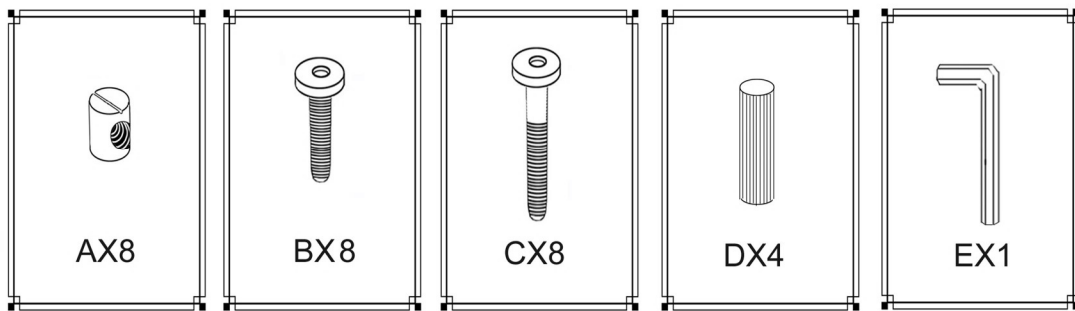
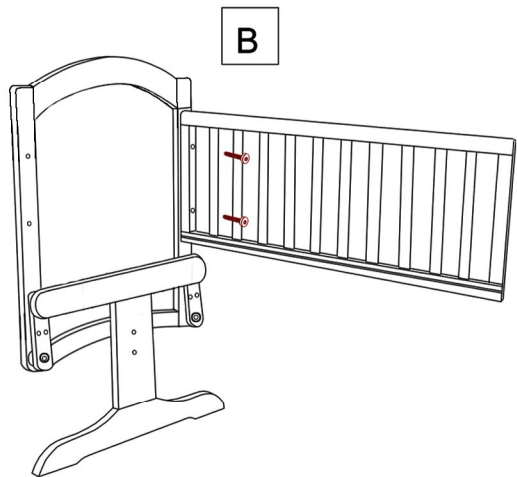


Assembly Instructions

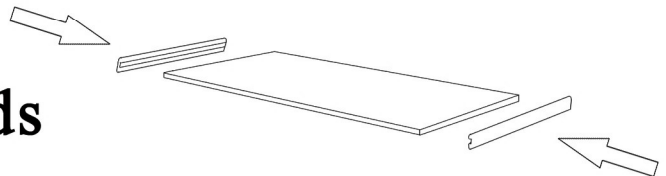


Step 1:
Fit one side rail using
two 'B' provided.

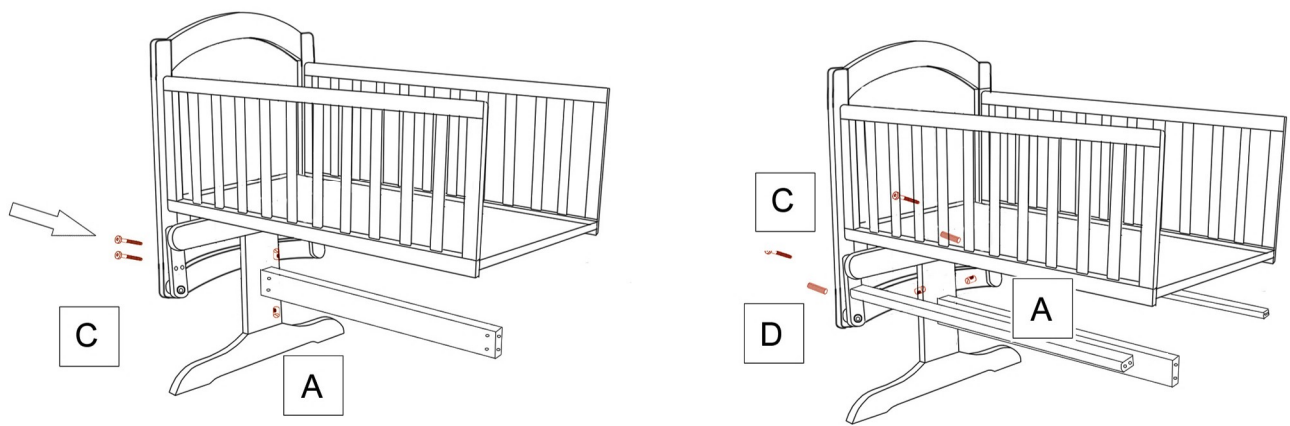


Step 2:
Fit another side rail
using two 'B' provided.

Step 3:
Fit the two crib base
supports to the two ends
of crib base.



Step 4:
Slide the crib base into the
side rail grooves.

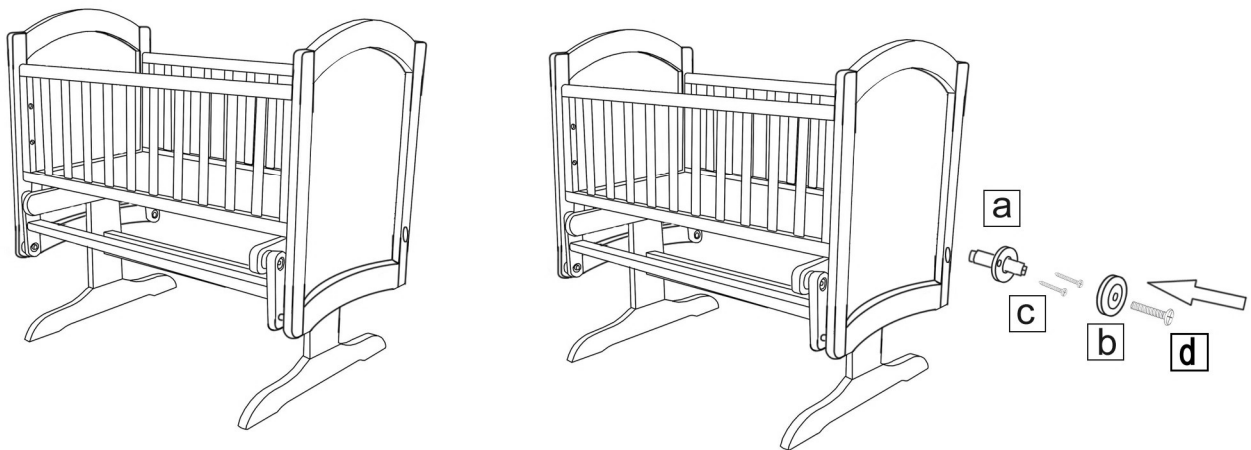


Step 5:

Fit the central support rail to the crib end using 2 'A' and 2 'C' provided.

Fit the two side support rails to the crib end using 2 'A', 2 'C' and 2 'D' provided.

Please insert 'A' into the holes on the side of rail first.



Step 6:

Fit the second crib end.

Fit the glider lock into the end with a hole using one 'a', one 'b', two 'c' and one 'd' provided.