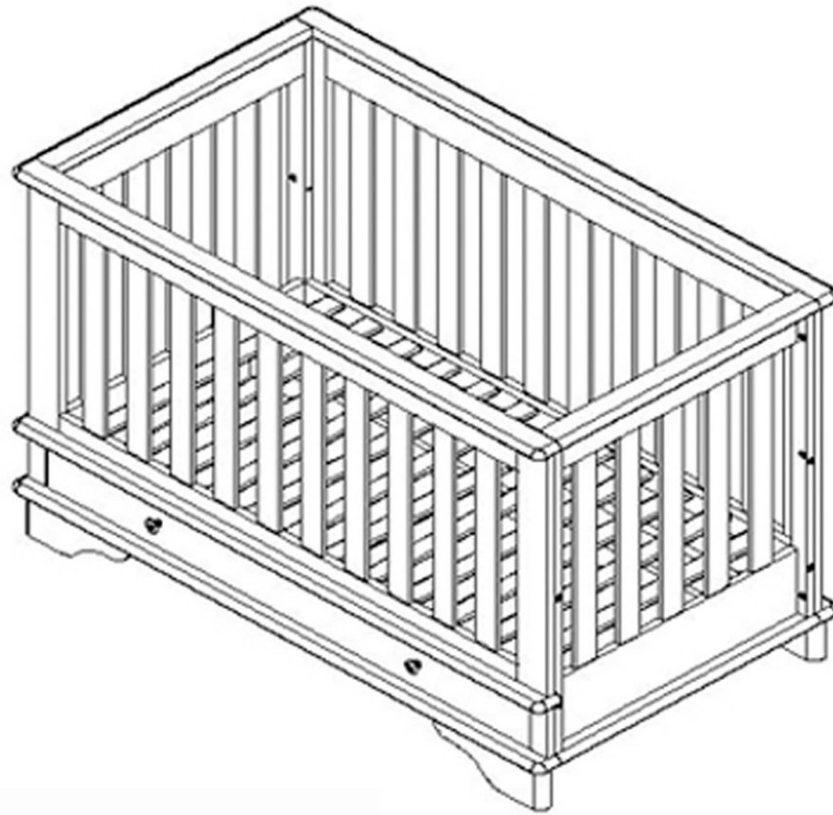


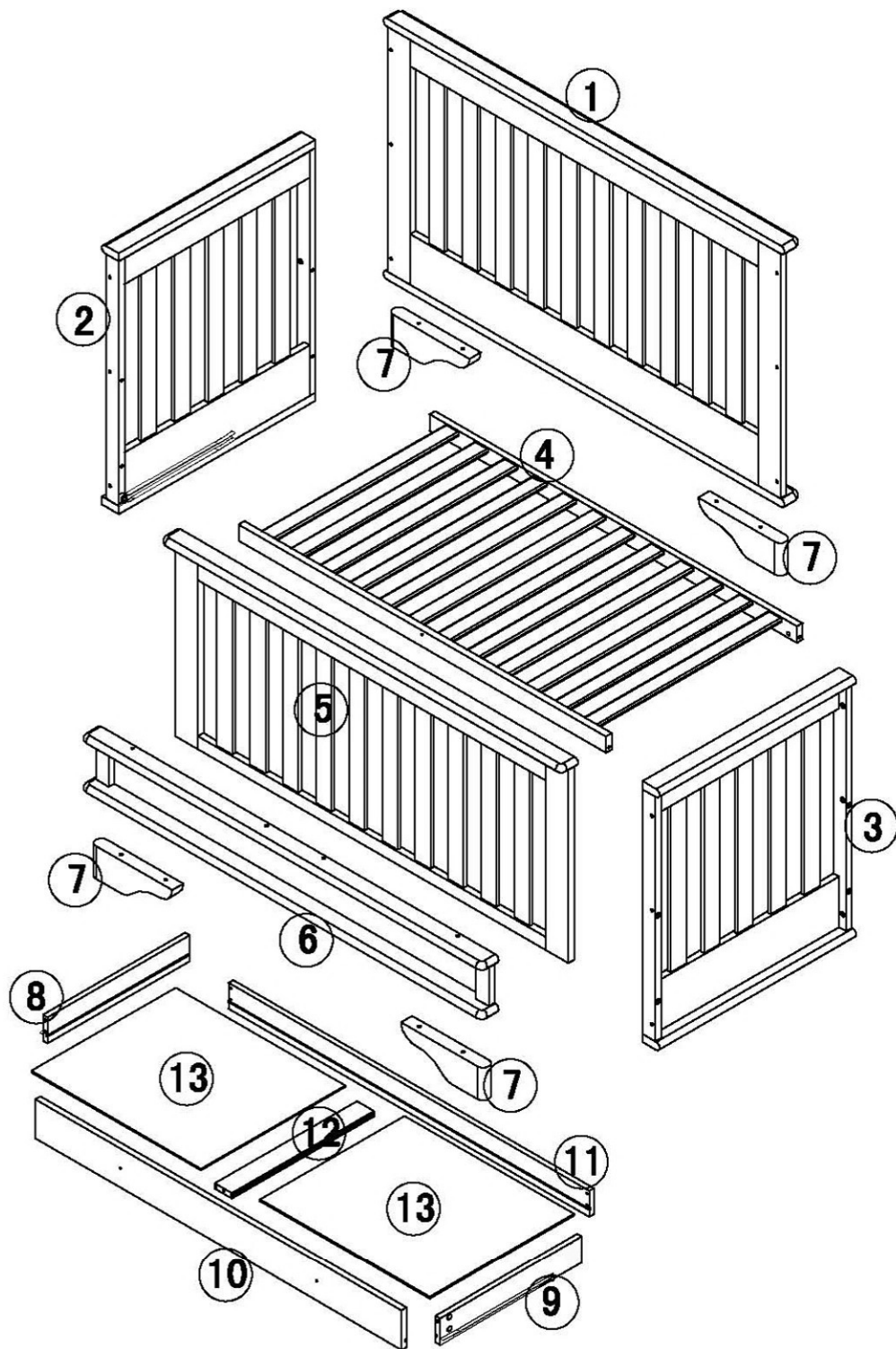


ASSEMBLY INSTRUCTIONS



IMPORTER: Cloud 9 Baby Bedrooms Pty Ltd

ADDRESS: 75/193 South Pine Road, Brendale, Queensland, 4500



Part List:

① X 1PC

② X 1PC

③ X 1PC

④ X 1PC

⑤ X 1PC

⑥ X 1PC

⑦ X 4PC

⑧ X 1PC

⑨ X 1PC

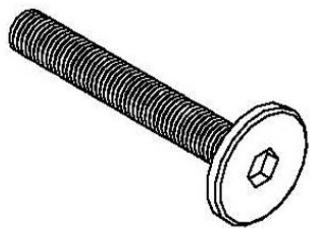
⑩ X 1PC

⑪ X 1PC

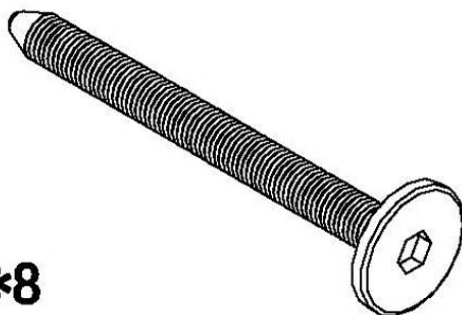
⑫ X 1PC

⑬ X 2PC

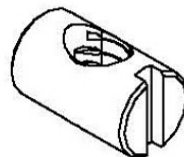
HARDWARE LIST



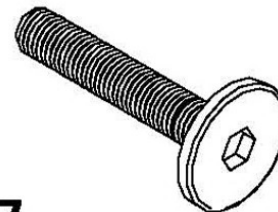
A*4



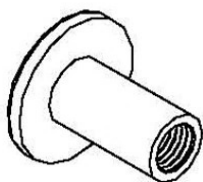
B*8



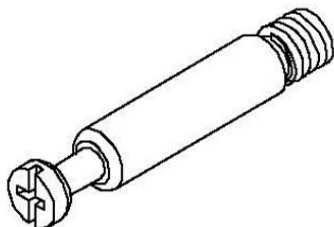
C*4



D*17



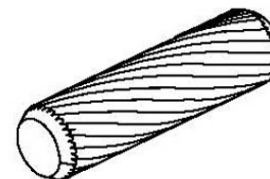
E*4



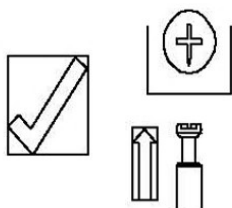
F*6



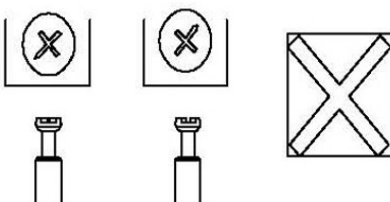
G*6



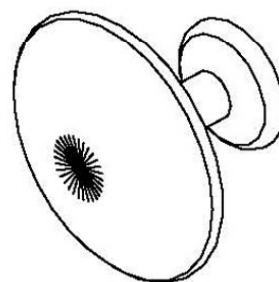
H*4



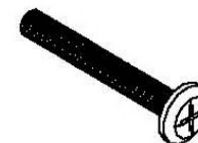
Correct



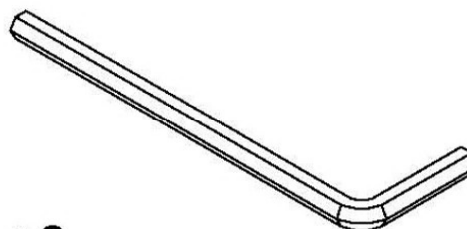
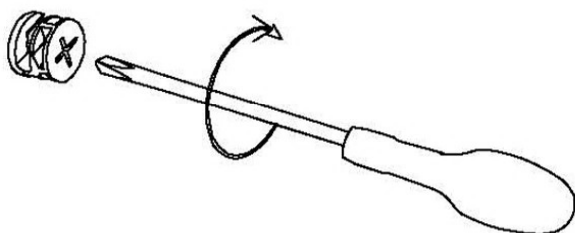
Wrong



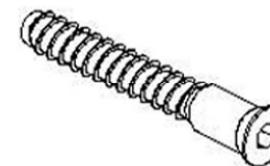
J*2



K*2

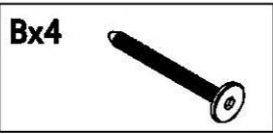


L*2

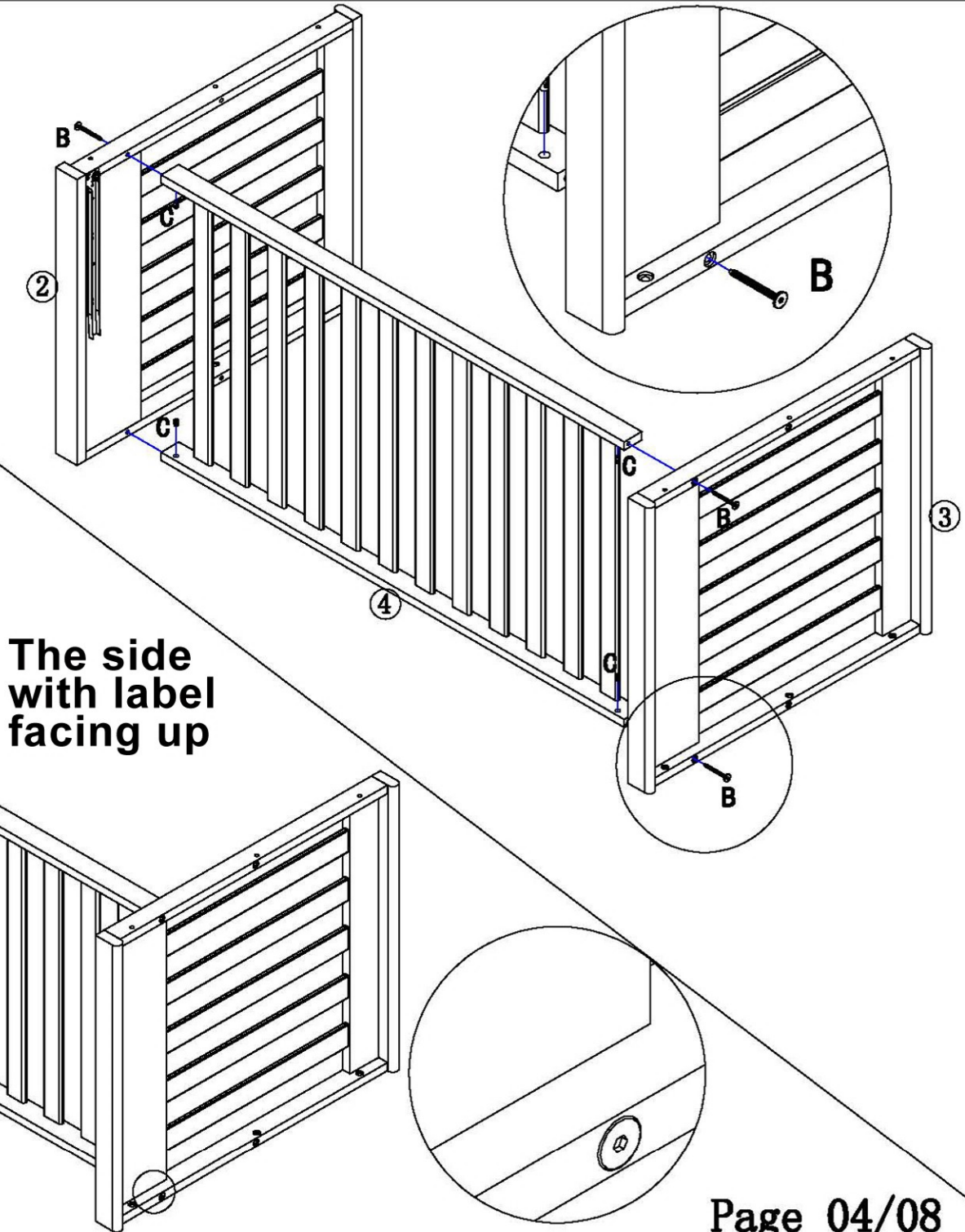
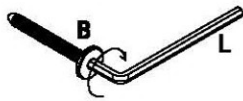
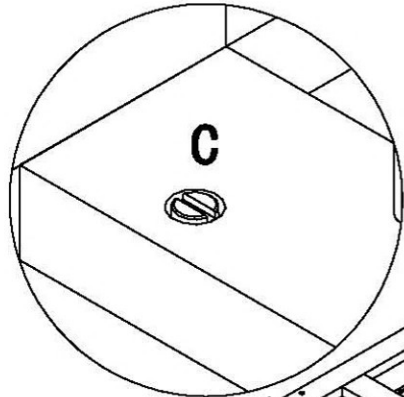
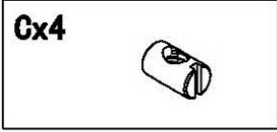


M*4

1.



2.



The side with label facing up

Infant cot:
Can put the mattress base on the higher position as a infant cot

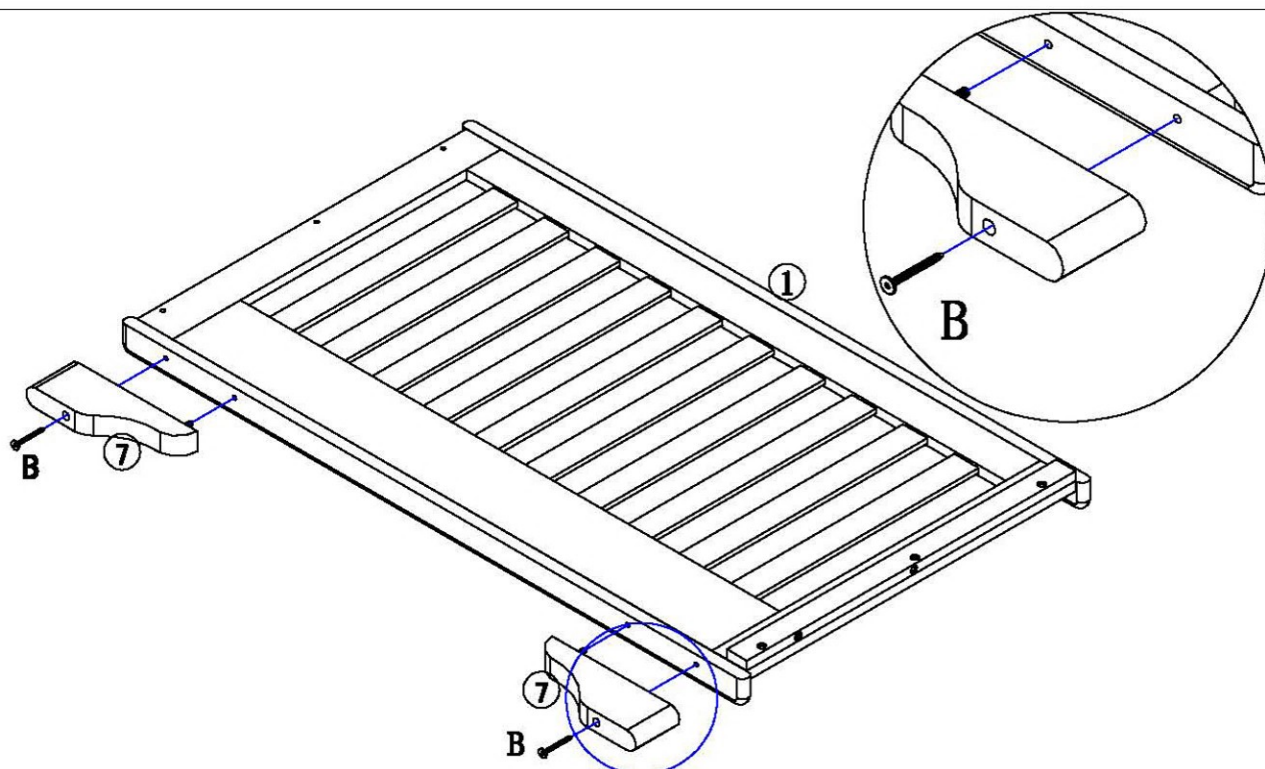
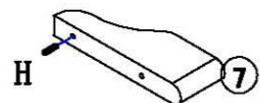
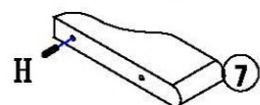
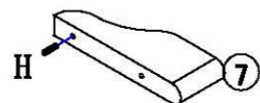
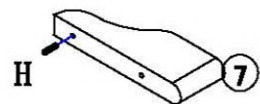
Bx2



Hx4



3.



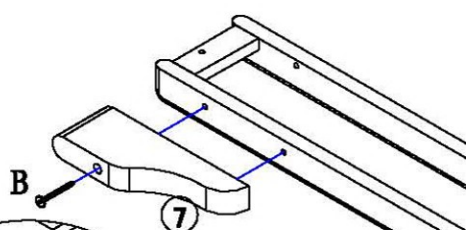
Bx2



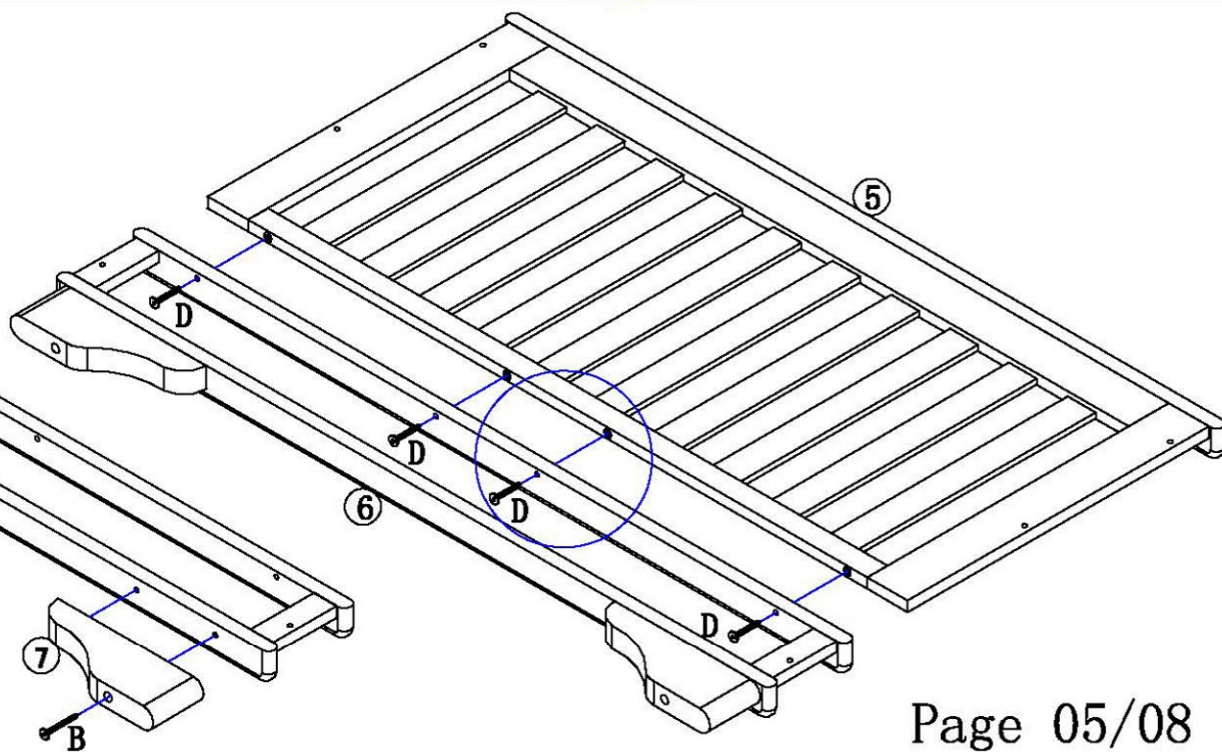
Dx4



4.

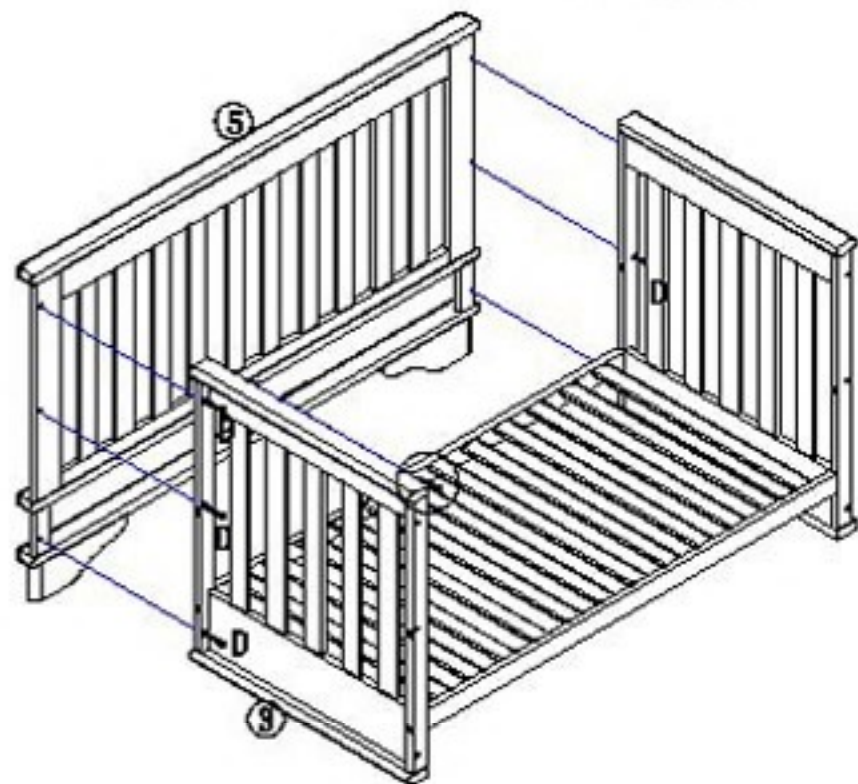
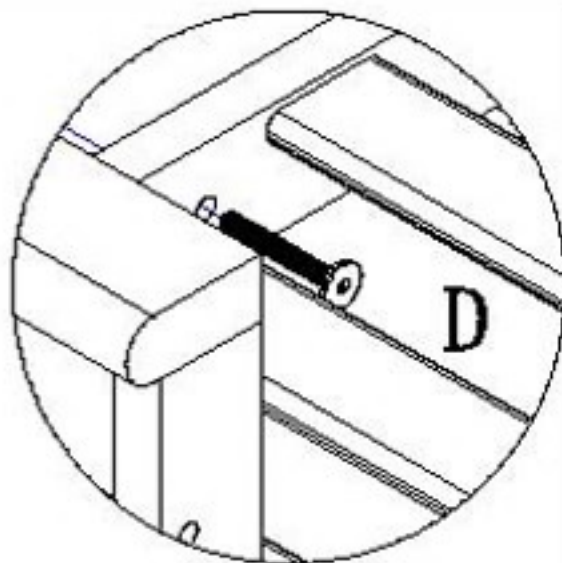


6

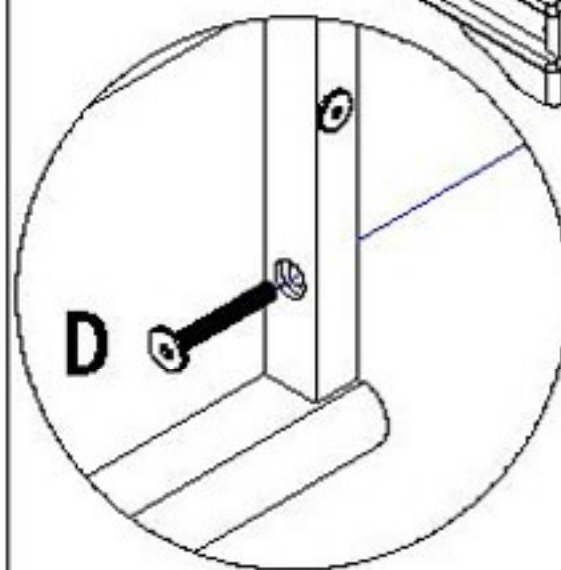
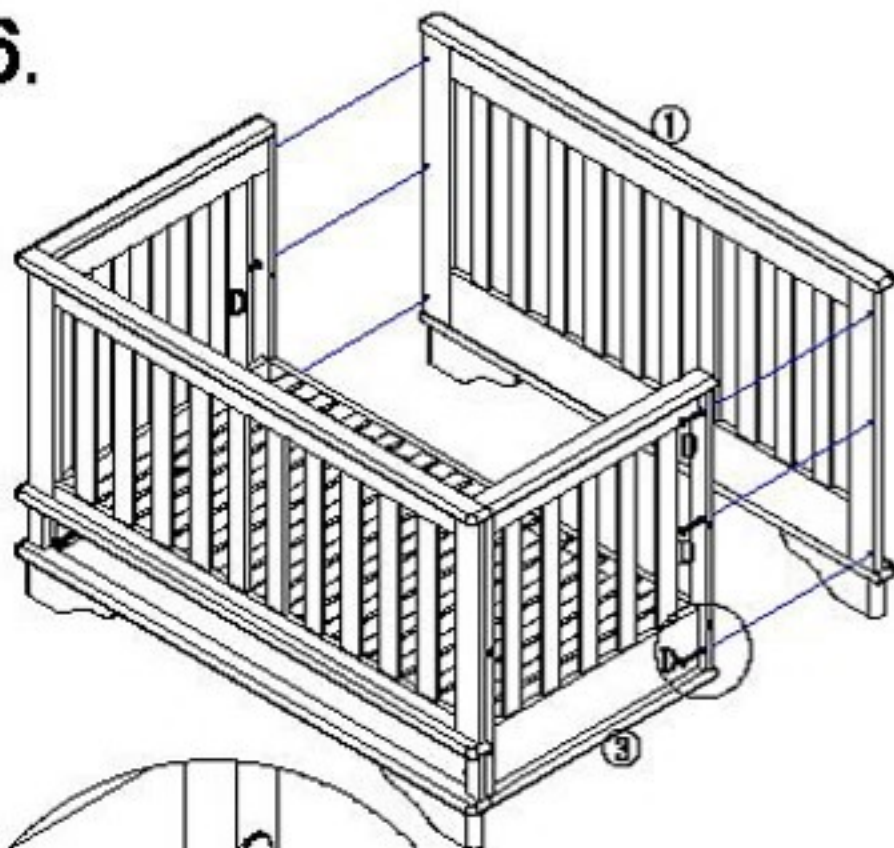




5.

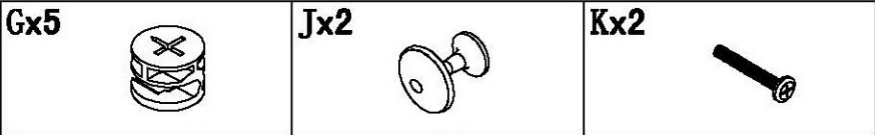
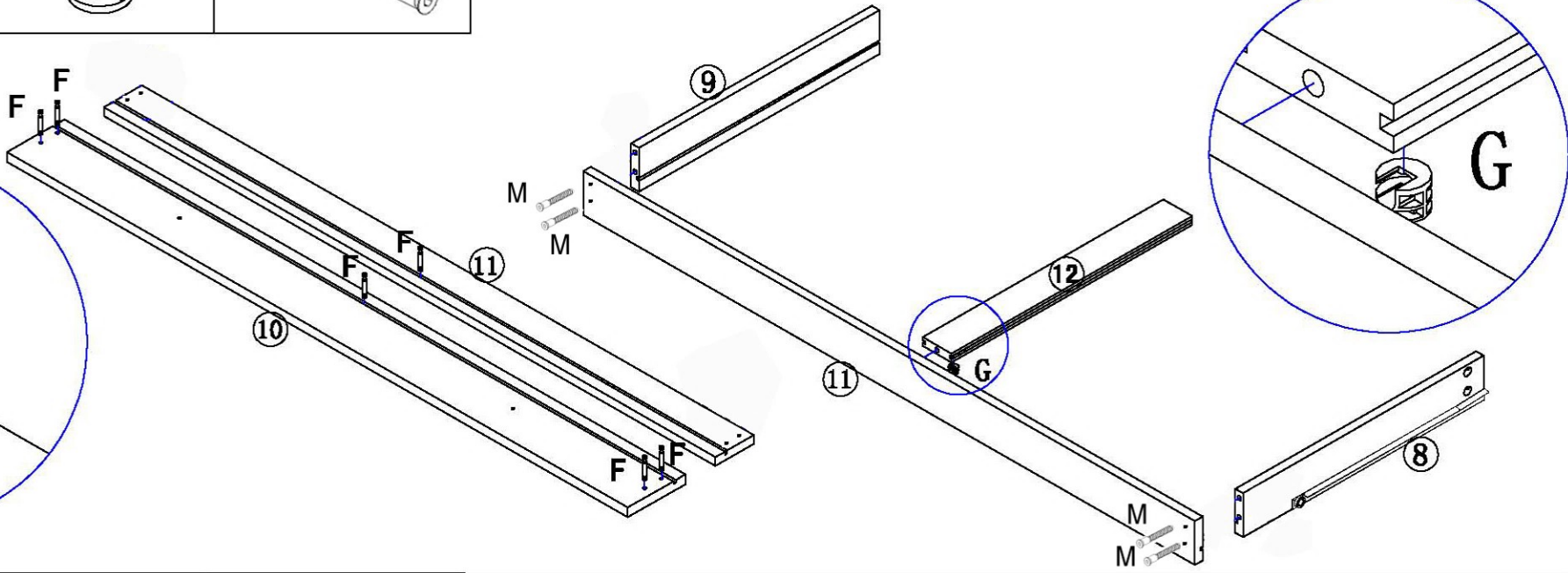
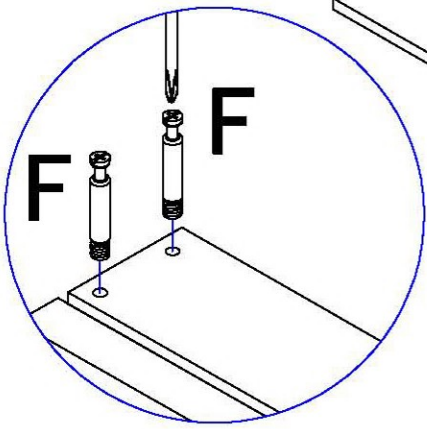


6.

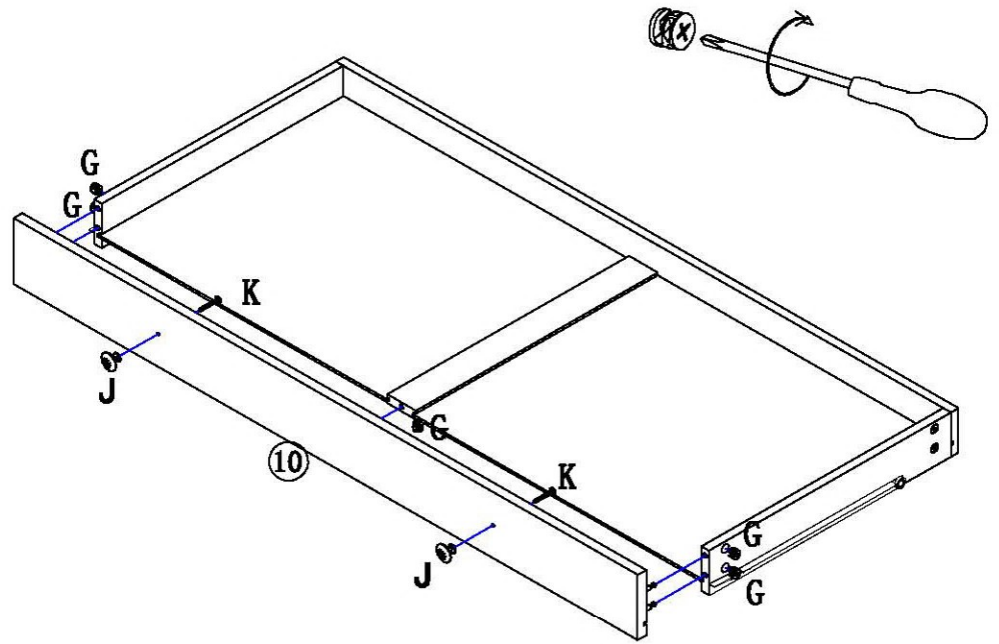
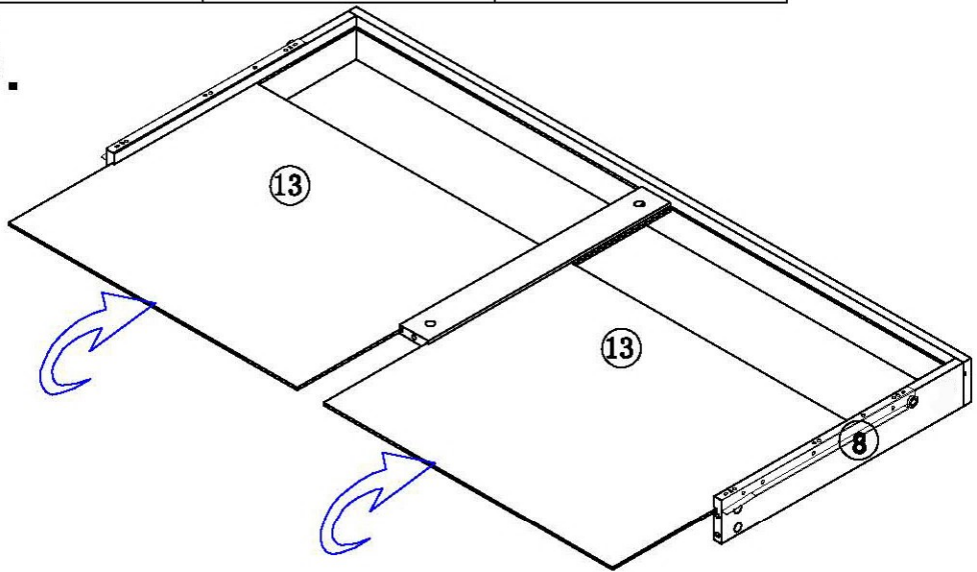




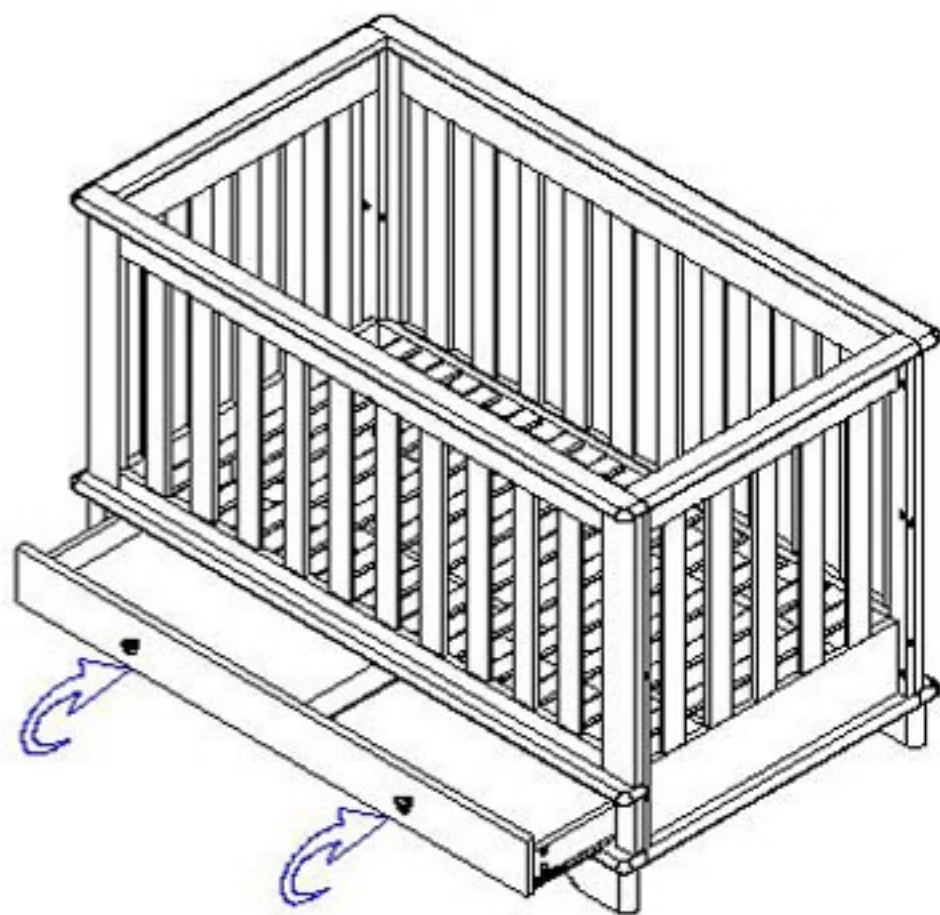
7.



8.



9.



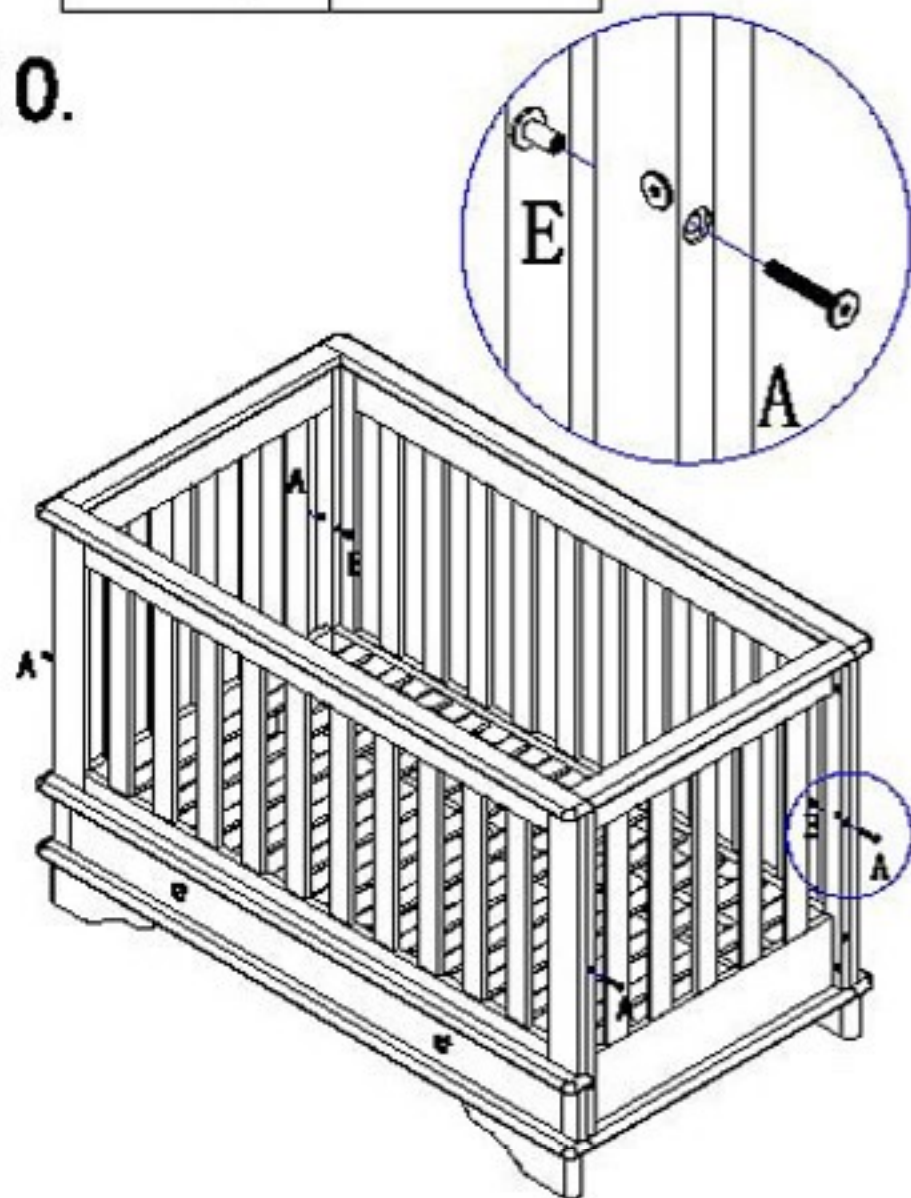
Ax4



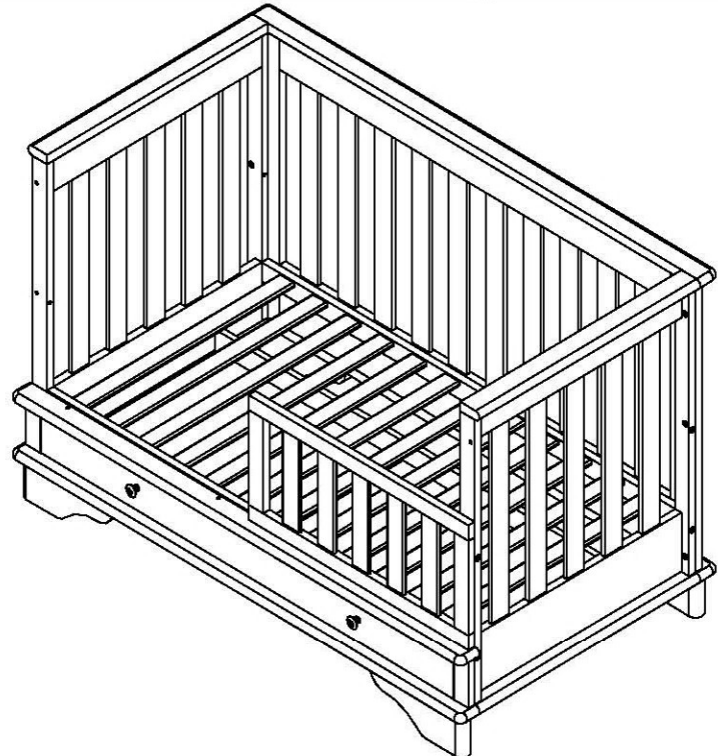
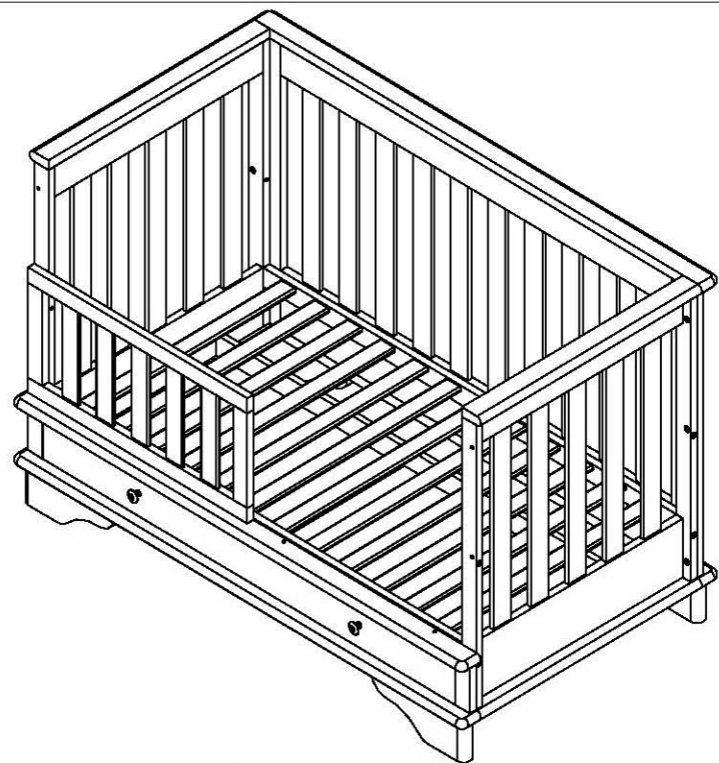
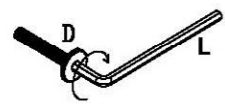
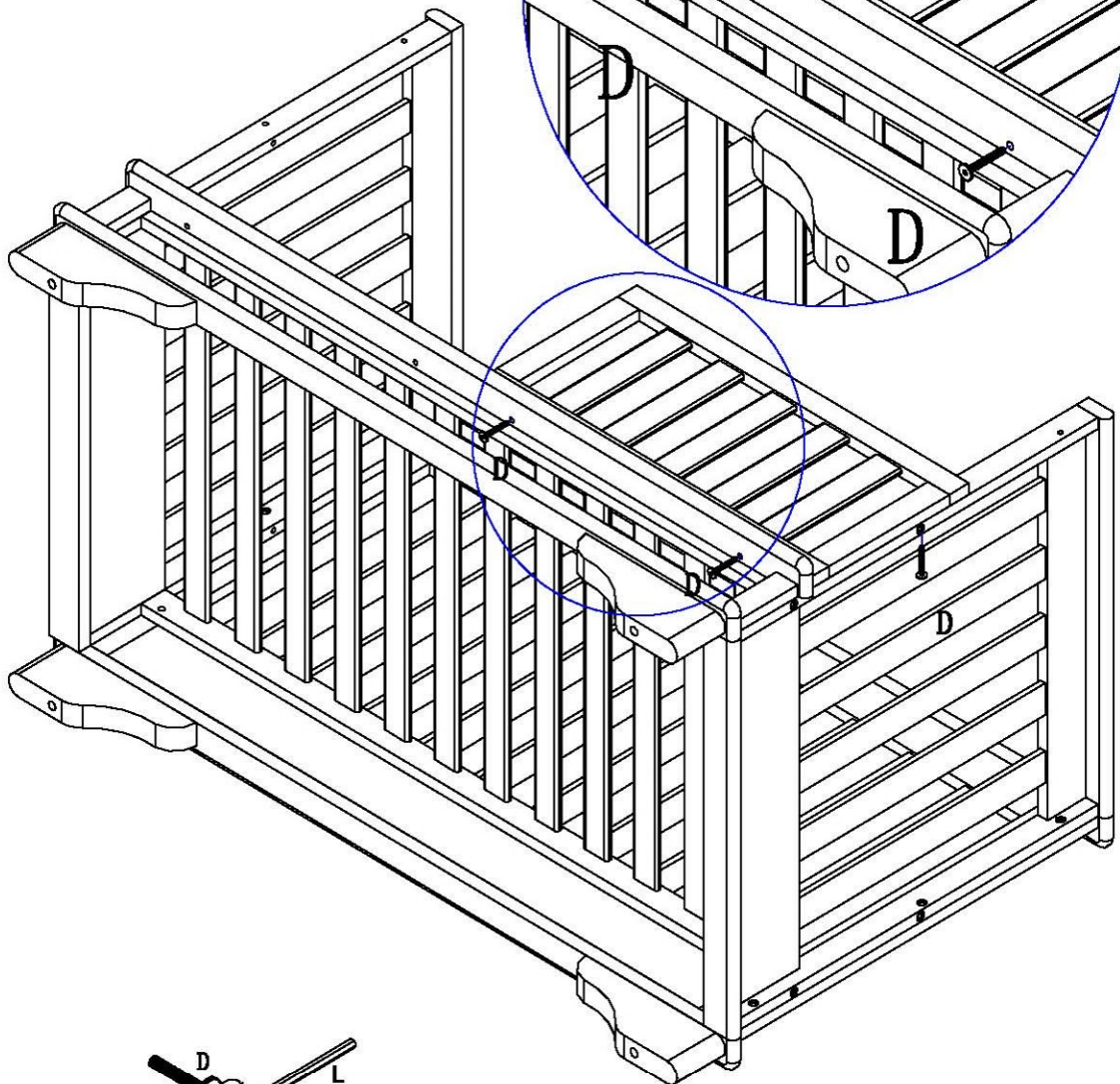
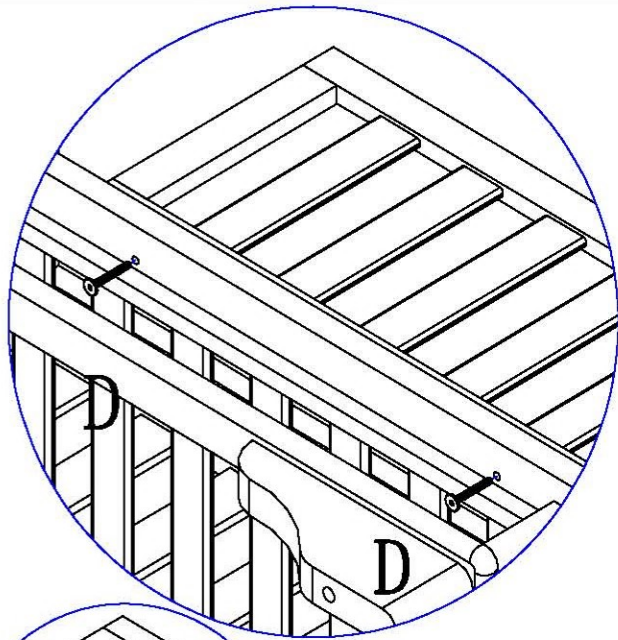
Ea4



10.



Dx3



IN USE:

RECOMMENDED COT MATTRESS SIZE. This Cot has been manufactured for use with a mattress which measures 690mm wide by 1300mm long and 100mm in thickness. The width and length are specified because it is important that the gaps between the mattress and the sides and ends of the Cot will not exceed 40mm. This is to minimize the risk of a child's limb becoming caught in the gap. The thickness of the mattress has been specified to ensure that the depth of the Cot is greater than 500mm with the mattress base in the lower position, to minimize the risk of a child climbing or falling out of the Cot.

WARNING: TO PREVENT FALLS, THE MATTRESS BASE OF THIS COT SHOULD BE ADJUSTED TO THE LOWEST POSTION BEFORE THE CHILD CAN SIT UP.

NOTES:

- (1) follow the manufacturer's assembly instructions in detail to ensure the safety features of the cot are not comprised.
- (2) ensure the Cot is placed at a reasonable distance from curtains, blinds, heaters, and power points; and
- (3) keep medication, string, elastic, small toys or small items, such as money, out of reach from any position in the Cot.
- (4) remove the plastic from the Cot Mattress prior to placing the mattress in the Cot. Dispose of the plastic bag immediately.

CARE AND MAINTENANCE

Regularly check for firmness of screws or damage which could render your Cot unsafe or cause splinters.

To clean, use a damp cloth, avoiding the use of strong detergents or abrasives.