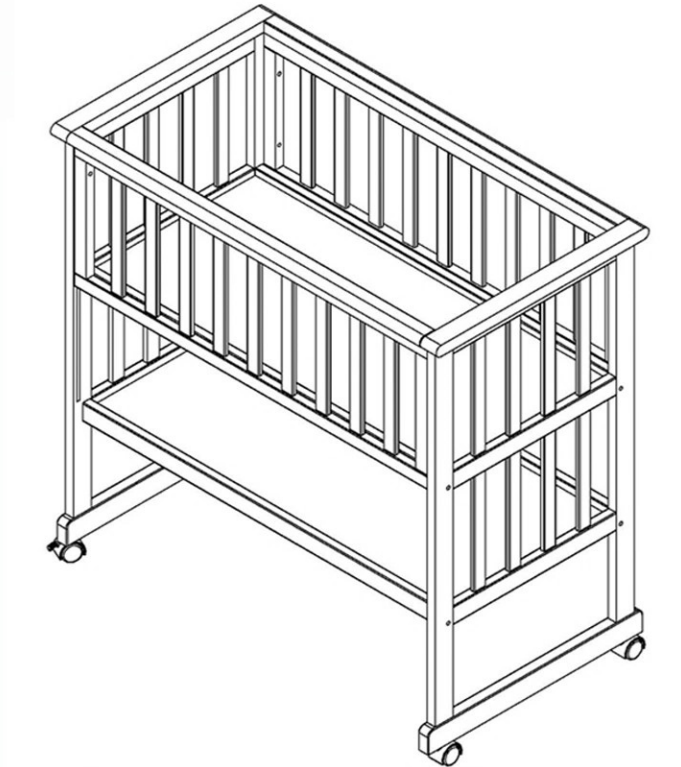


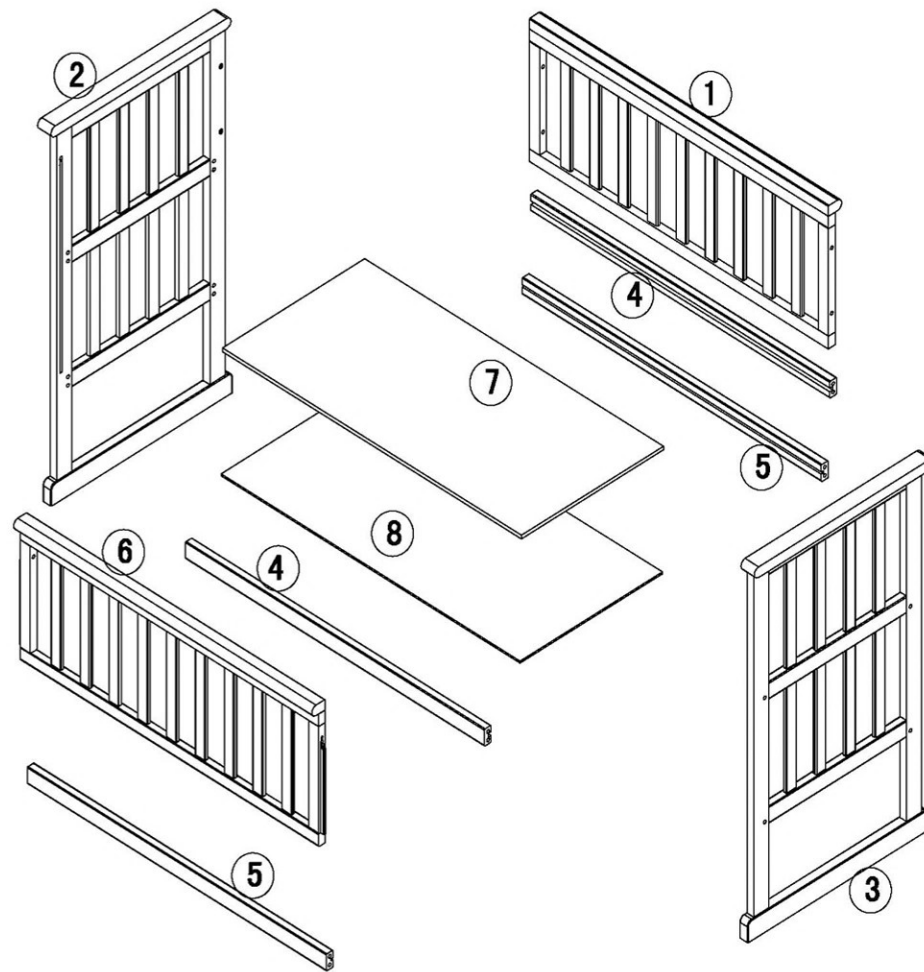


# ASSEMBLY INSTRUCTIONS



**IMPORTER: Cloud 9 Baby Bedrooms Pty Ltd**

**ADDRESS: 75/193 South Pine Road, Brendale, Queensland, 4500**




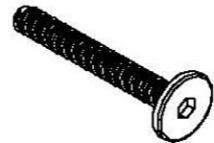
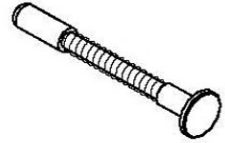
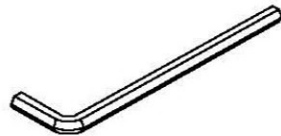
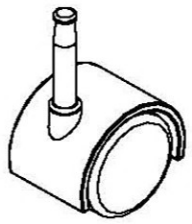
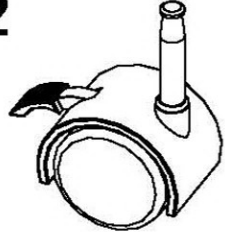


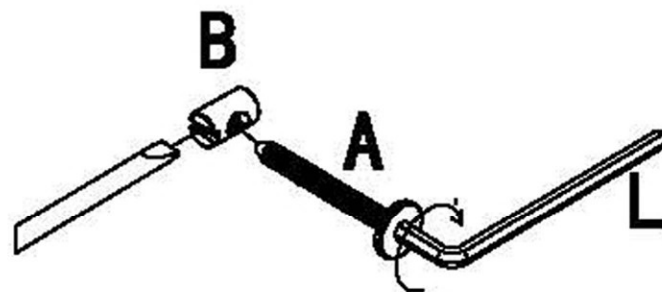
Parts List		
①	① X 1PC	
②	② X 1PC	
③	③ X 1PC	
④	④ X 2PC	
⑤	⑤ X 2PC	
⑥	⑥ X 1PC	
⑦	⑦ X 1PC	
⑧	⑧ X 1PC	
⑨	⑨ X 1PC	

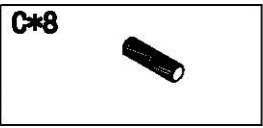
ASSEMBLY TIPS: The Cradle Drop Rail needs to have room to go on.

Therefore all the screws have to stay loose until this is done, or you will end up damaging your Cradle.

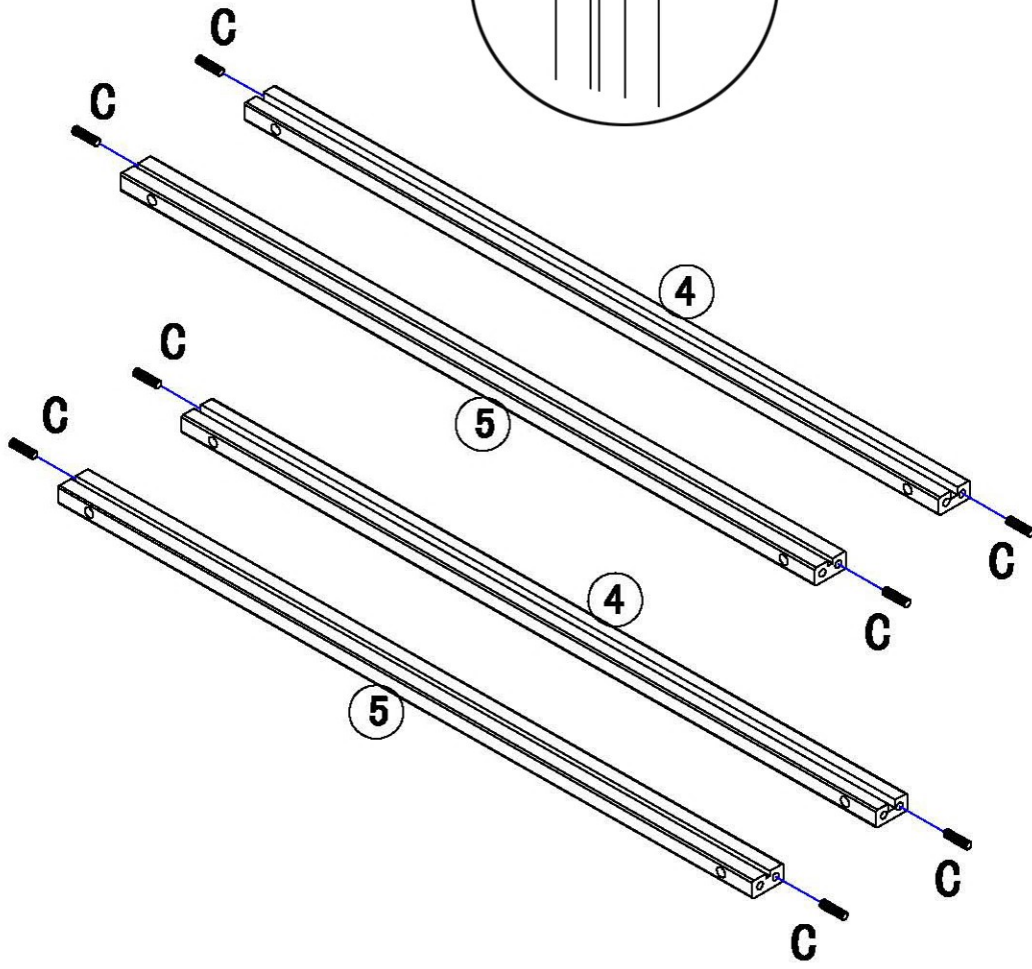
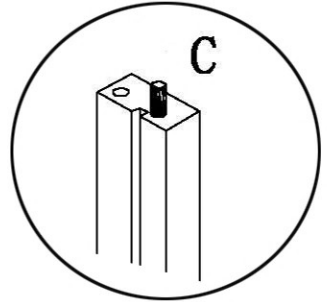
# Hardware List

<b>A*8</b> 	<b>B*8</b> 	<b>C*8</b> 
<b>D*4</b> 	<b>F*2</b> 	<b>L*1</b> 
<b>K1*2</b> 	<b>K2*2</b> 	

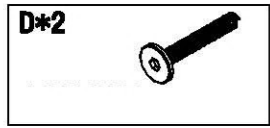




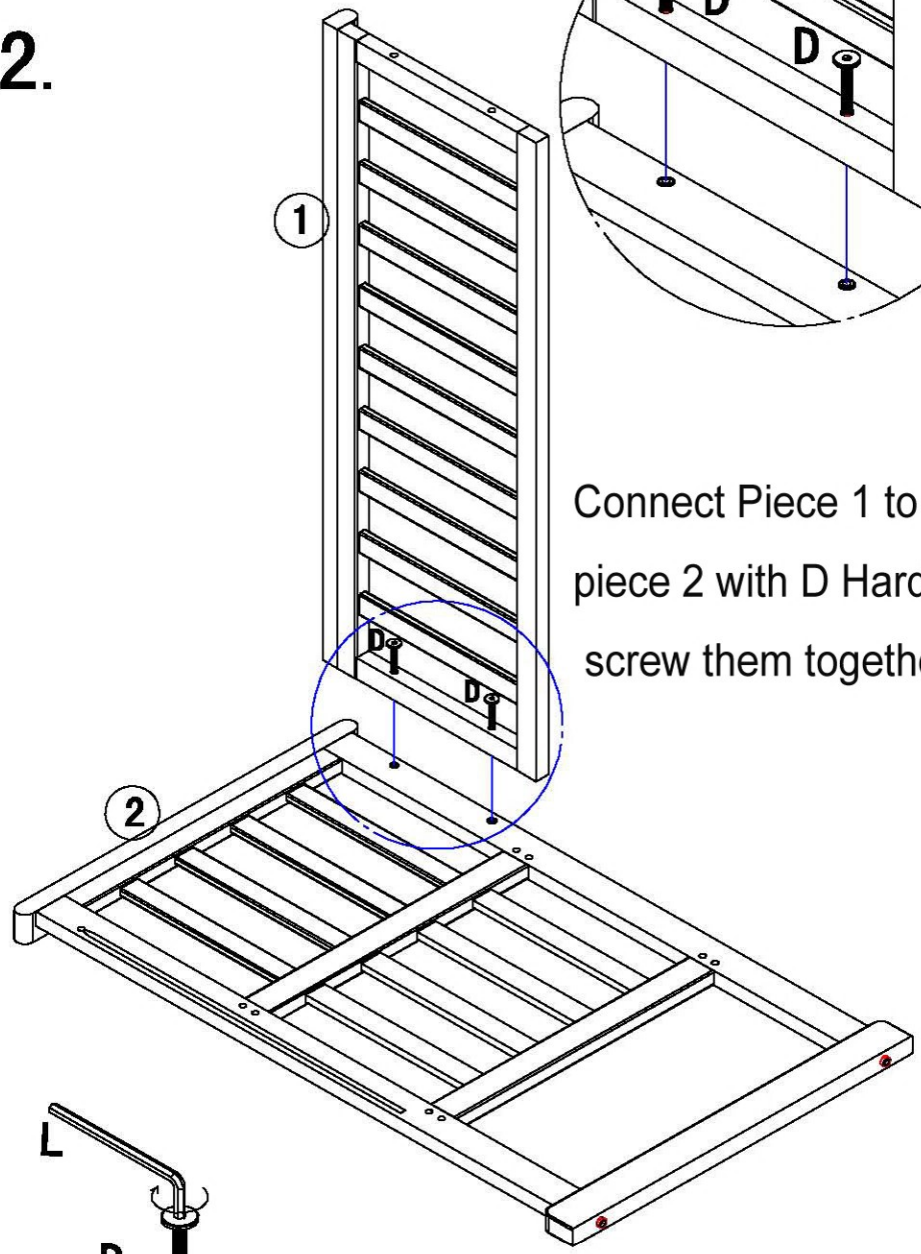
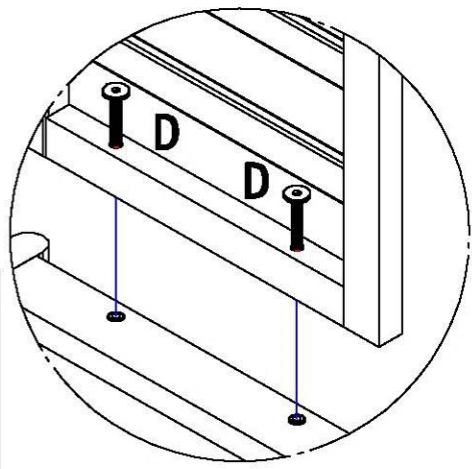
1.



Place dowels (hardware c) into pieces 4&5

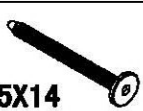


2.



Connect Piece 1 to piece 2 with D Hardware, screw them together.

A\*4  
φ6X55X14



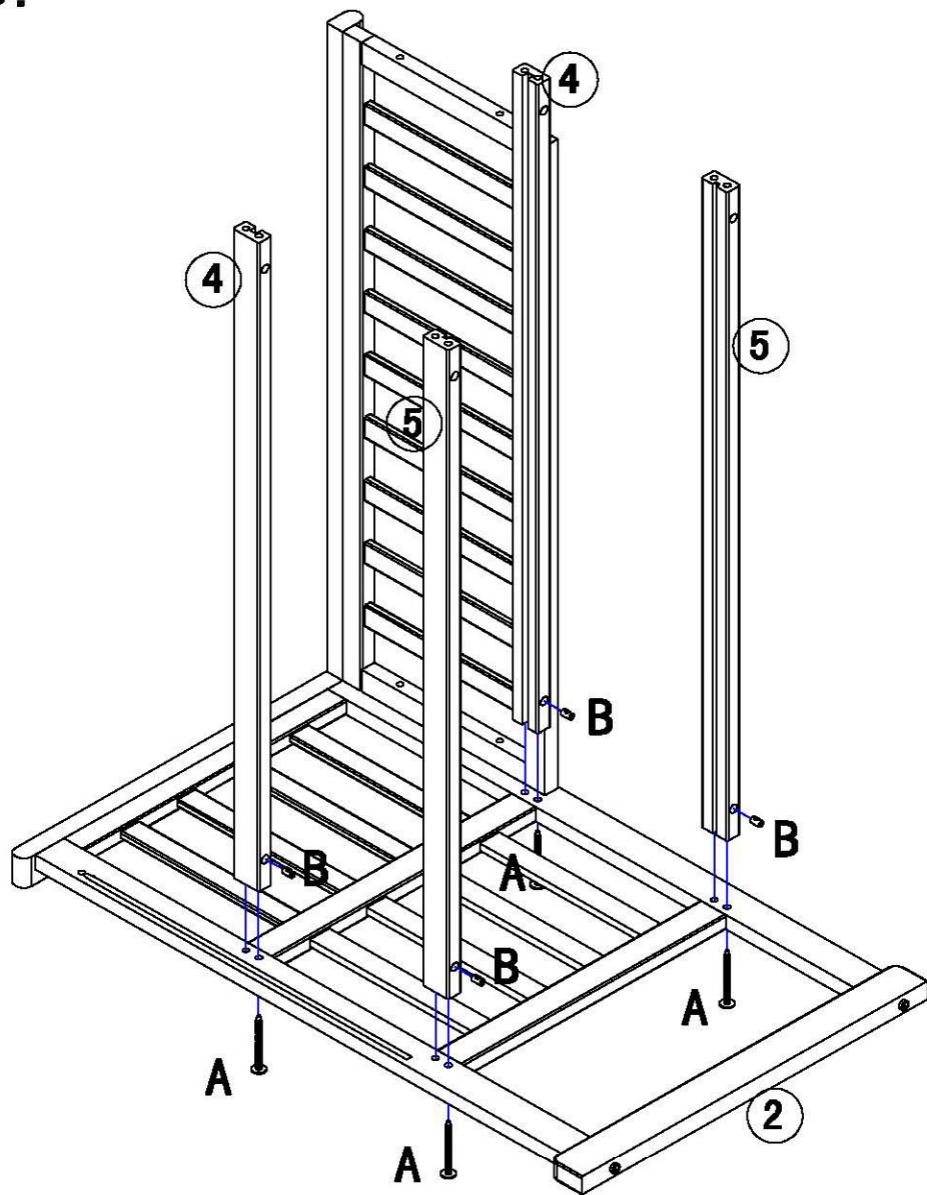
B\*4  
φ10X13



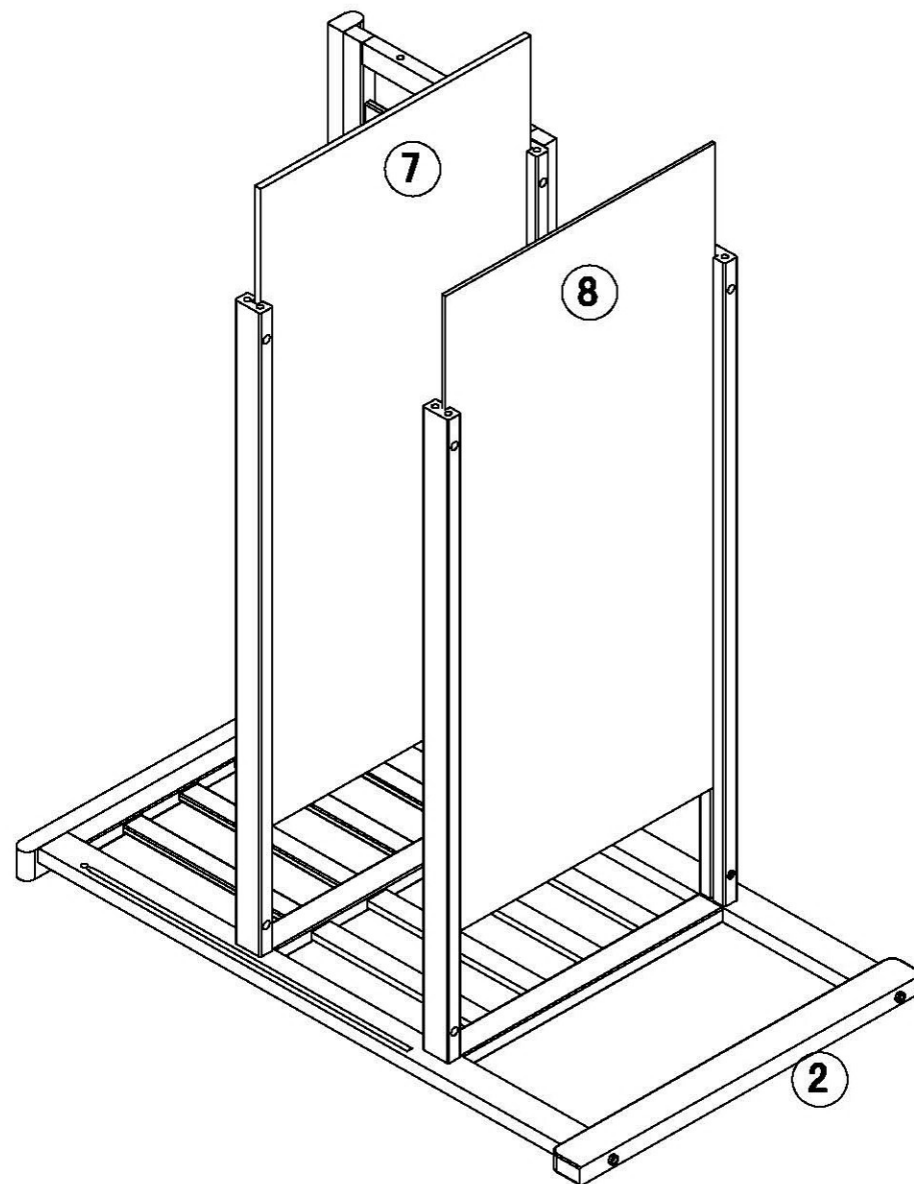
Connect piece 4 x 2 and  
piece 5 x 2 using hardware

A & B to piece 2

3.



4. Slide in pieces 7 & 8 into pieces 4 & 5

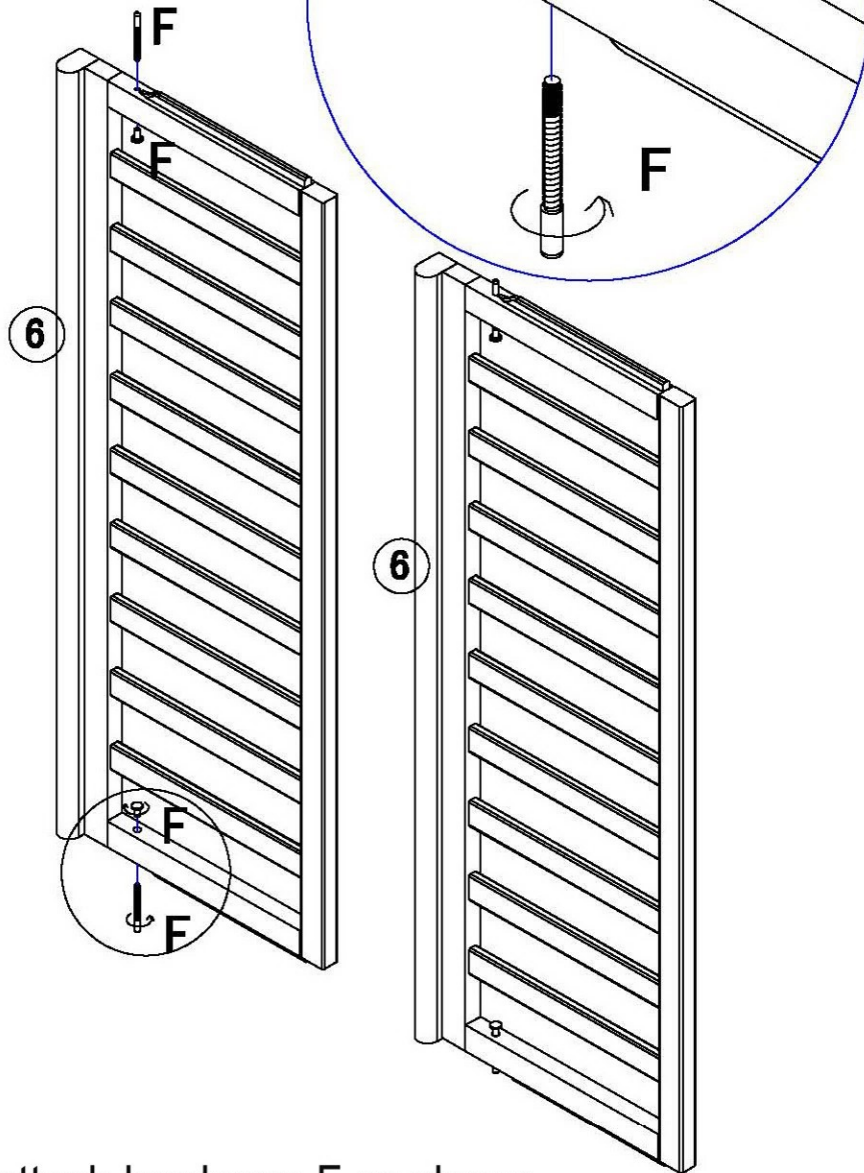




F\*2



5.



Piece 6 attach hardware F as shown

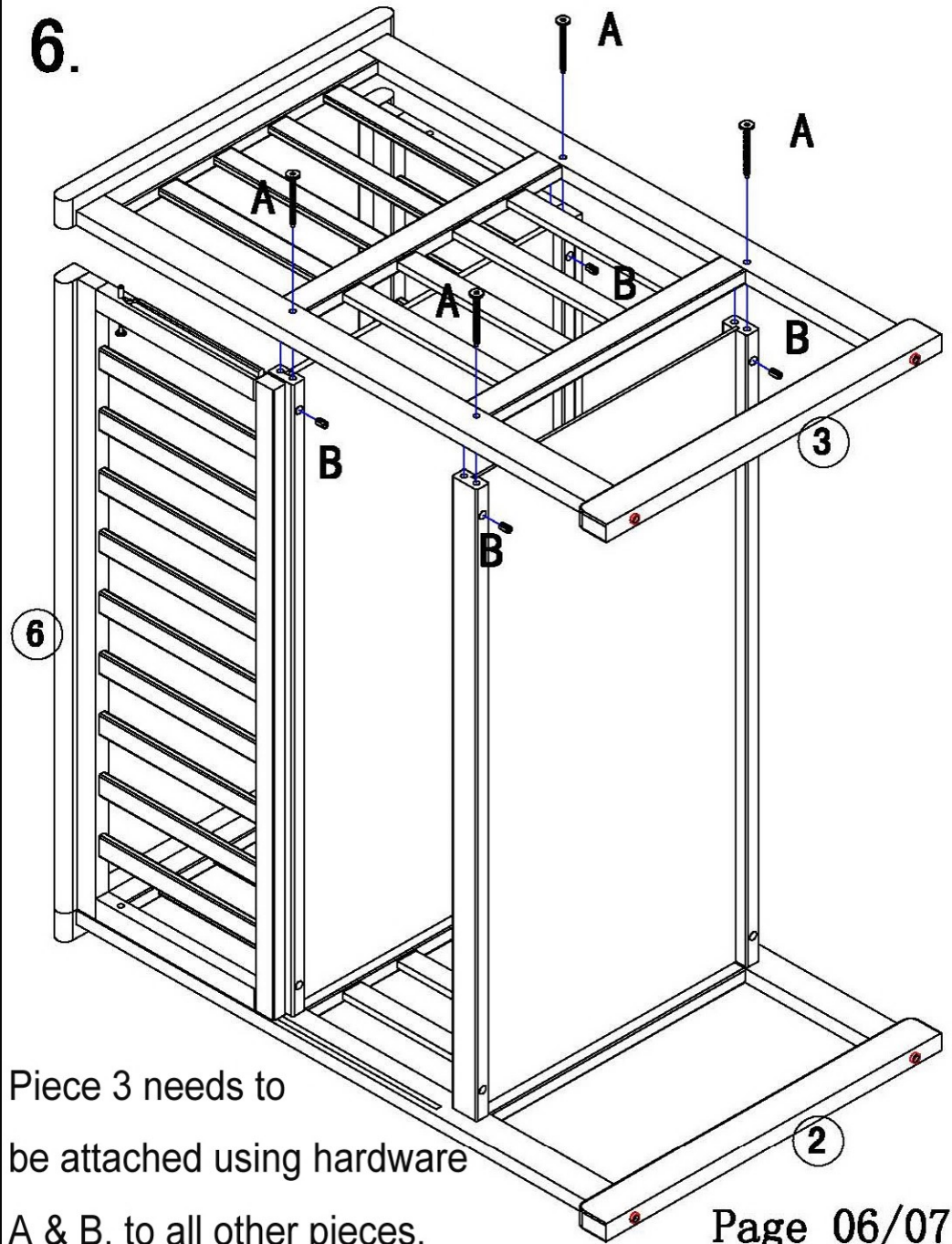
A\*4



B\*4

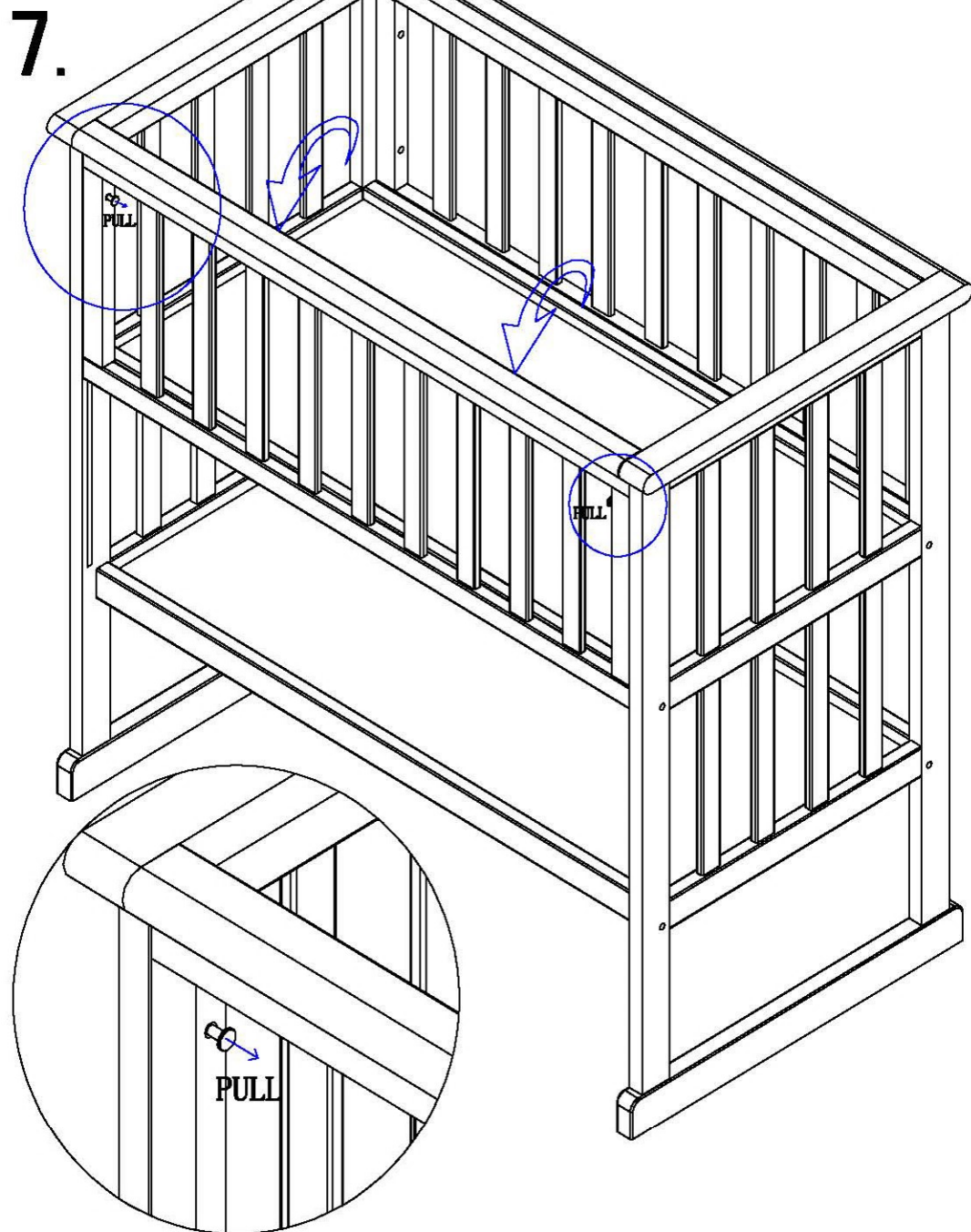


6.



Piece 3 needs to be attached using hardware A & B, to all other pieces.

Check if hardware F is working  
pull it in as shown on picture



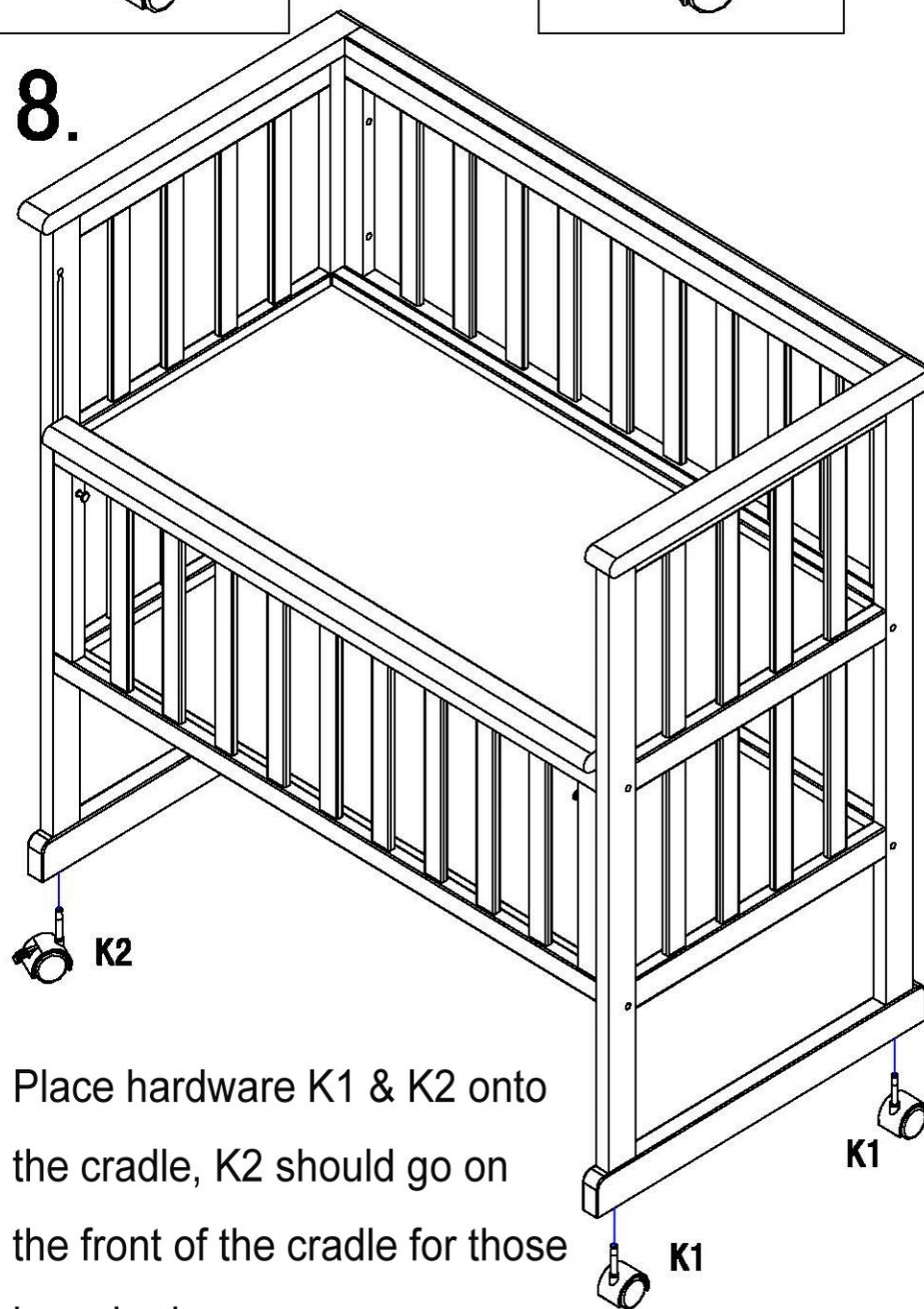
K1\*2



K2\*2



8.



Place hardware K1 & K2 onto  
the cradle, K2 should go on  
the front of the cradle for those  
have brakes.