



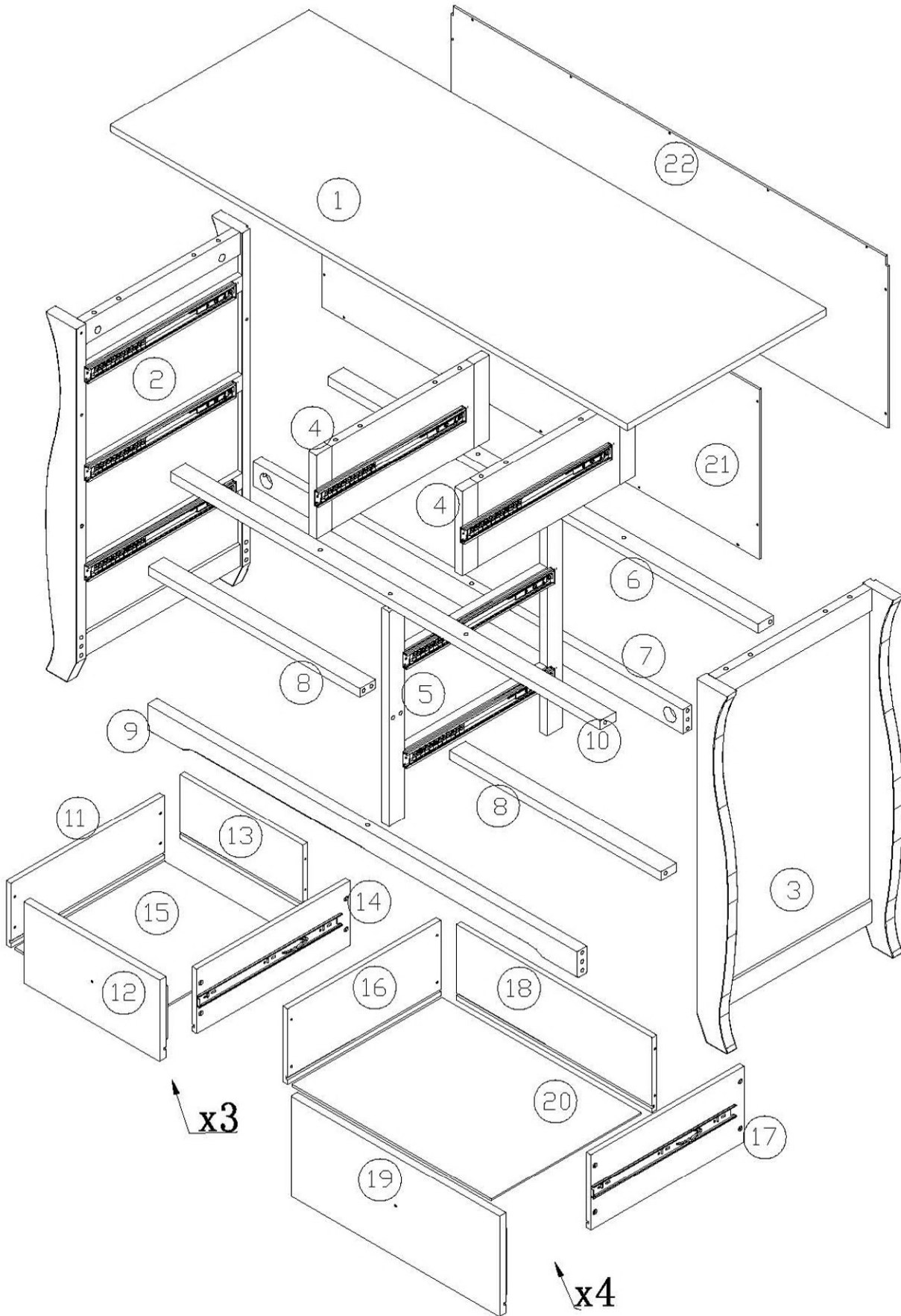
# ASSEMBLY INSTRUCTIONS



**IMPORTER: Cloud 9 Baby Bedrooms Pty Ltd**

**ADDRESS: 75/193 South Pine Road, Brendale, Queensland, 4500**

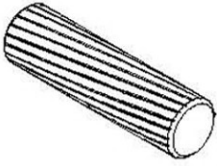
# Parts List



①	1 pcs
②	1 pcs
③	1 pcs
④	2 pcs
⑤	1 pcs
⑥	1 pcs
⑦	1 pcs
⑧	2 pcs
⑨	1 pcs
⑩	1 pcs
⑪	3 pcs
⑫	3 pcs
⑬	3 pcs
⑭	3 pcs
⑮	3 pcs
⑯	4 pcs
⑰	4 pcs
⑱	4 pcs
⑳	4 pcs
㉑	1 pcs
㉒	1 pcs

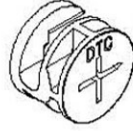
# Hardware List

## WOODEN DOWELS



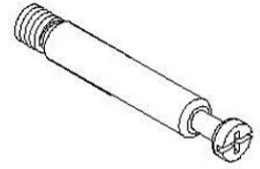
Ax22 PCS

## CAM BOLTS



Bx12 PCS

## LOCKING PINS



Cx12 PCS

## LARGE GOLD SCREWS



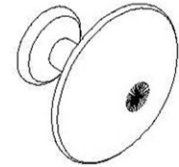
Dx64 PCS

## HANDLE SCREW



Ex7 PCS

## KNOBS

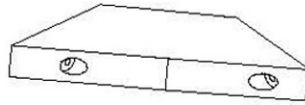


Fx7 PCS

## SMALL SILVER SCREW

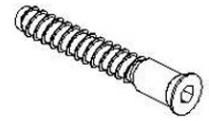


Gx20 PCS



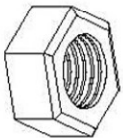
Hx4 PCS

## LARGE SILVER SCREWS



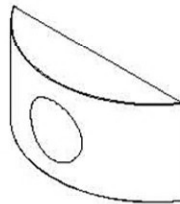
Jx8 PCS

## NUT

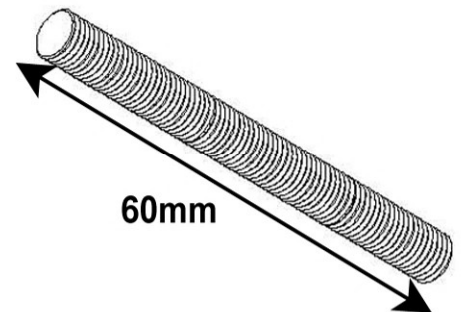


Kx4 PCS

## HALF MOON SPACES

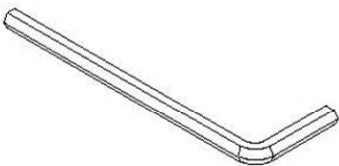


Lx4 PCS



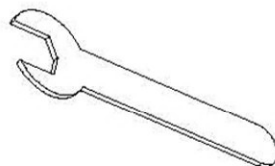
Mx4 PCS

## ALLEN KEY



Nx1 PCS

## SPANNER



Ox1 PCS



AX22PCS



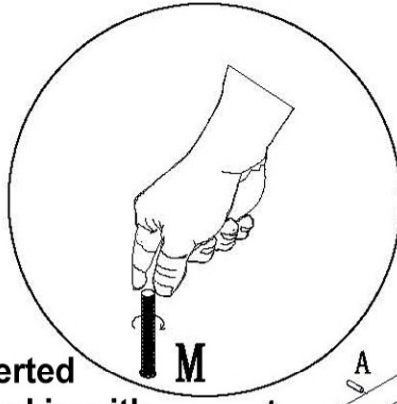
MX4PCS



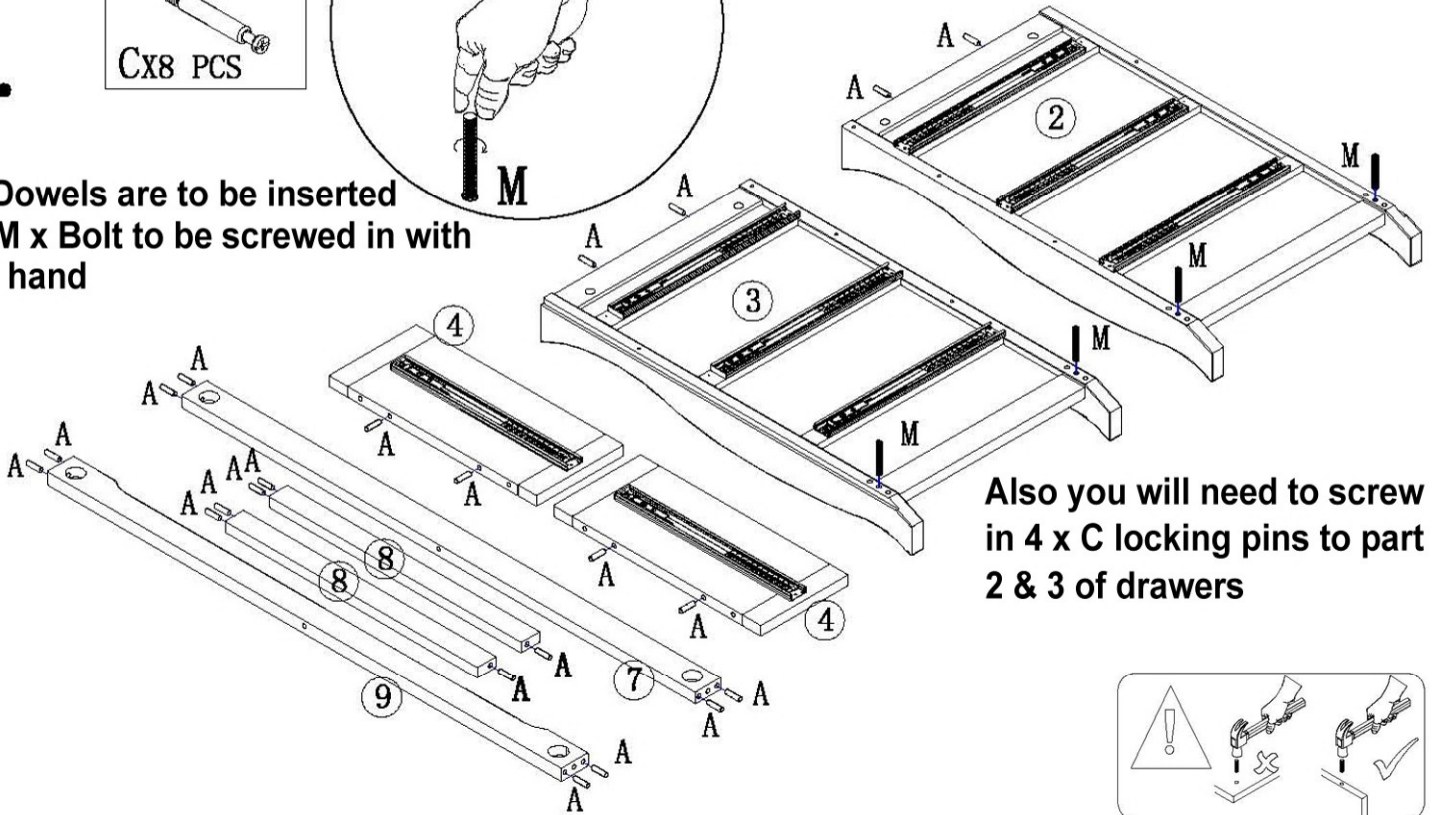
CX8 PCS

1.

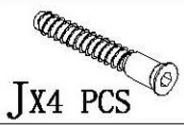
Tip: Dowels are to be inserted and M x Bolt to be screwed in with your hand



Firstly, lay out all pieces shown in below diagram on the floor. Then, using 22 x A wooden dowels, and 4 x M 60mm Bolts. Insert as shown on diagram.



Also you will need to screw in 4 x C locking pins to part 2 & 3 of drawers



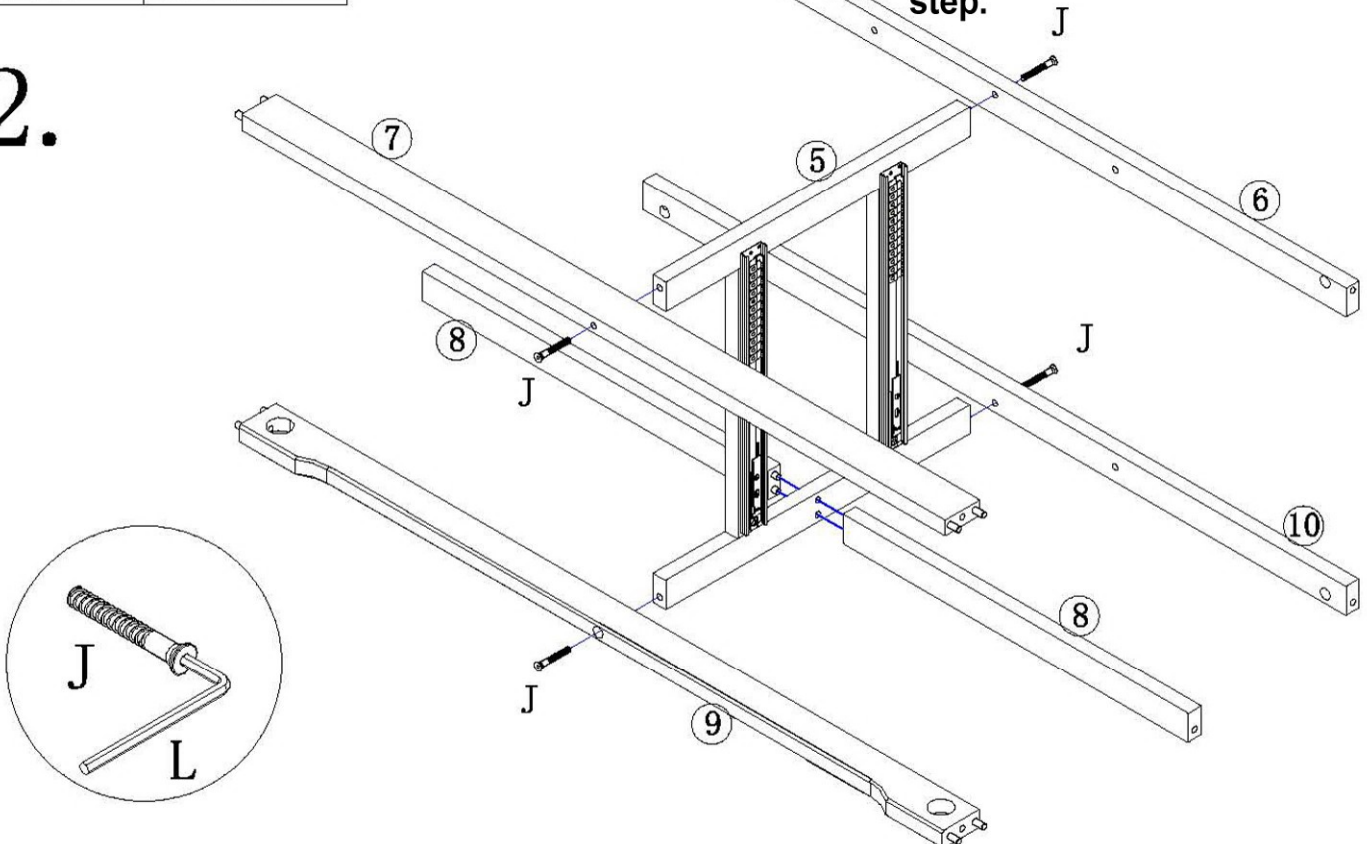
JX4 PCS



NX1 PCS

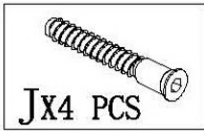
2.

Start this step by inserting the 2 x part 8 into the part 5 piece. As these can now act as stabilisers for the rest of this step.



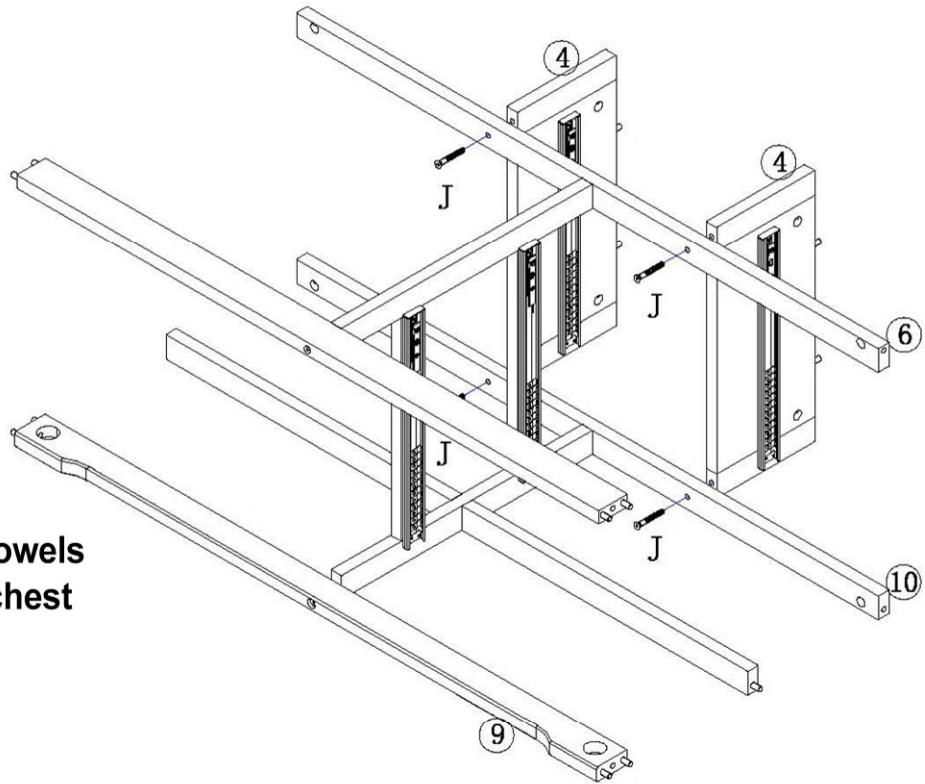
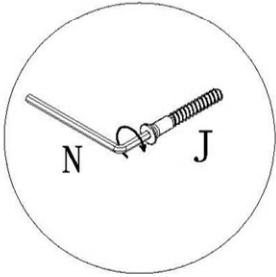
Next, using 4 x J screws, put in place piece 9, Then go on to screw in piece 10, Then also piece 7 & 6. Piece 6 are facing up, And piece 7 are facing down.





Take 4 x J screws and use them to attached piece 4 to piece 6 and piece 10.

3.

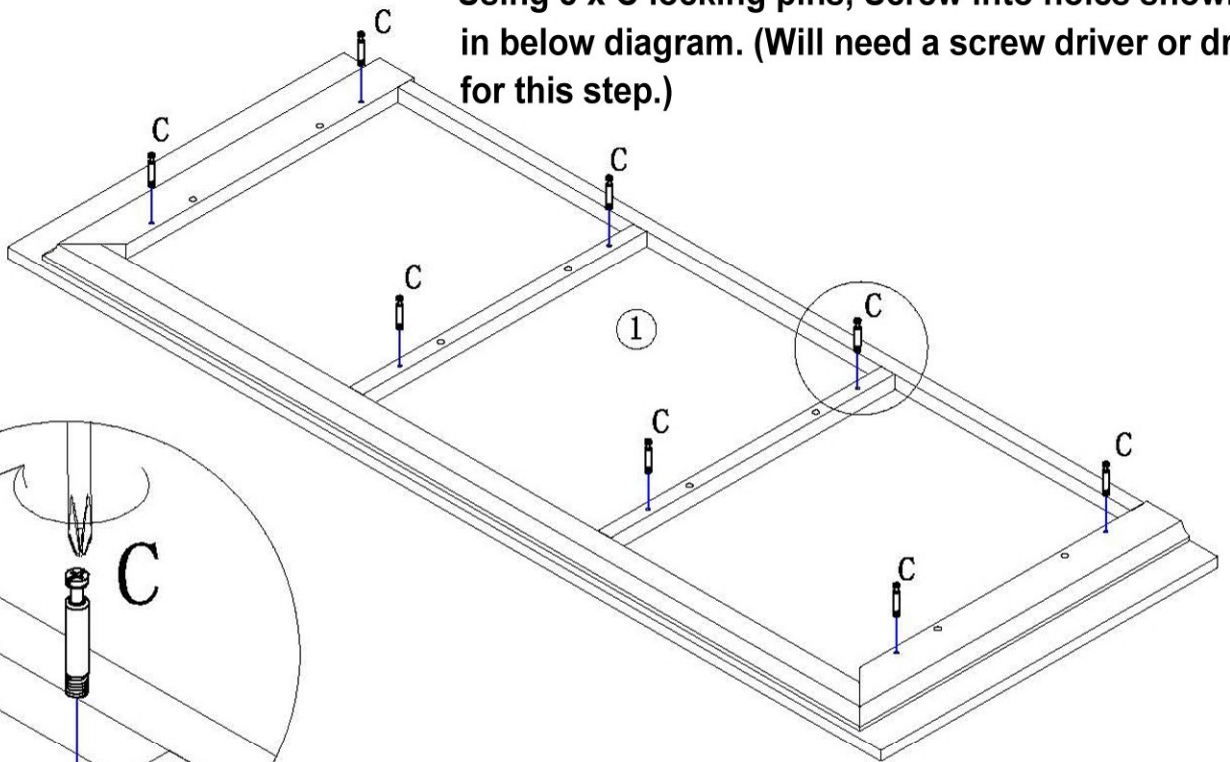
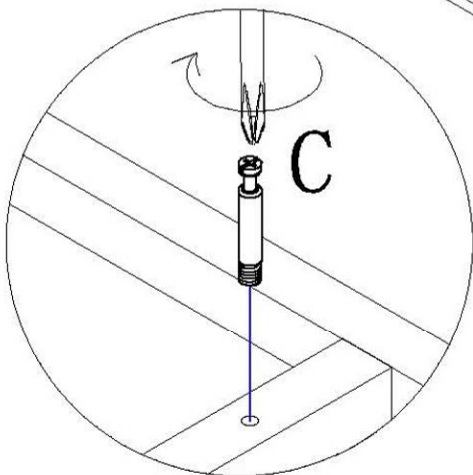


Tip: Ensure the wooden dowels are facing away from the chest



Using 8 x C locking pins, Screw into holes shown in below diagram. (Will need a screw driver or drill for this step.)

4.



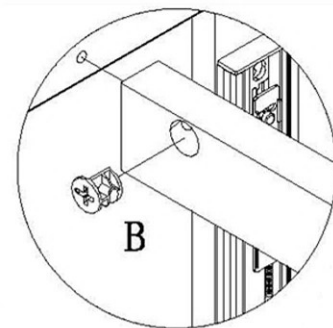
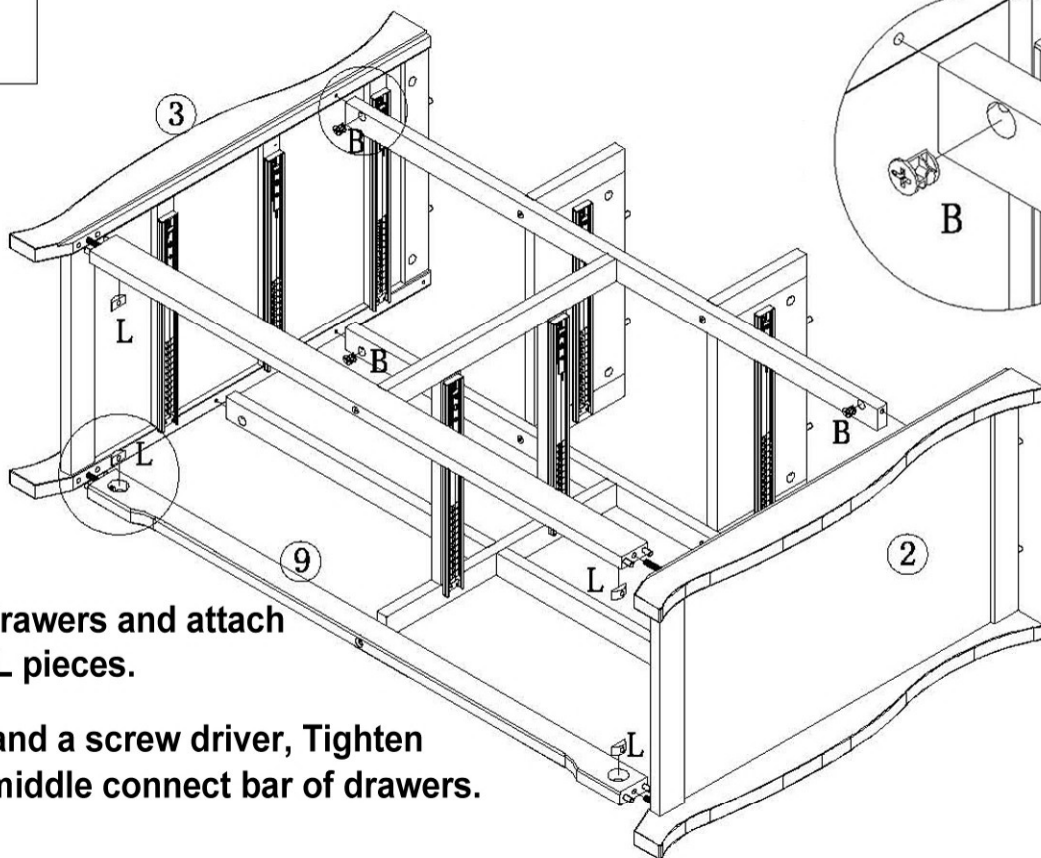
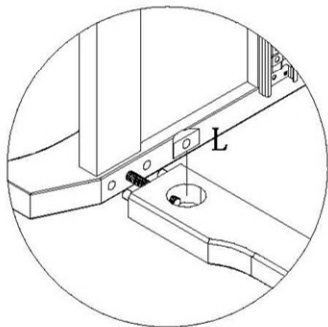


Bx4 PCS



Lx4 PCS

5.



Take part 2 & 3 of the drawers and attach to part 7 & 9 using 4 x L pieces.

Using 4 x B cam bolts and a screw driver, Tighten to secure sides to the middle connect bar of drawers.



Bx8 PCS

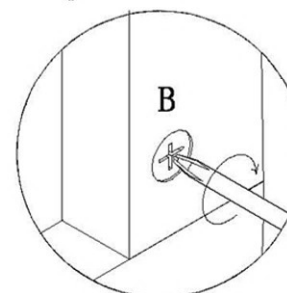
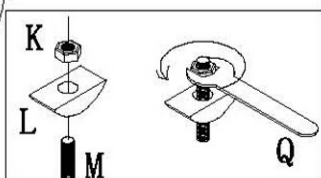
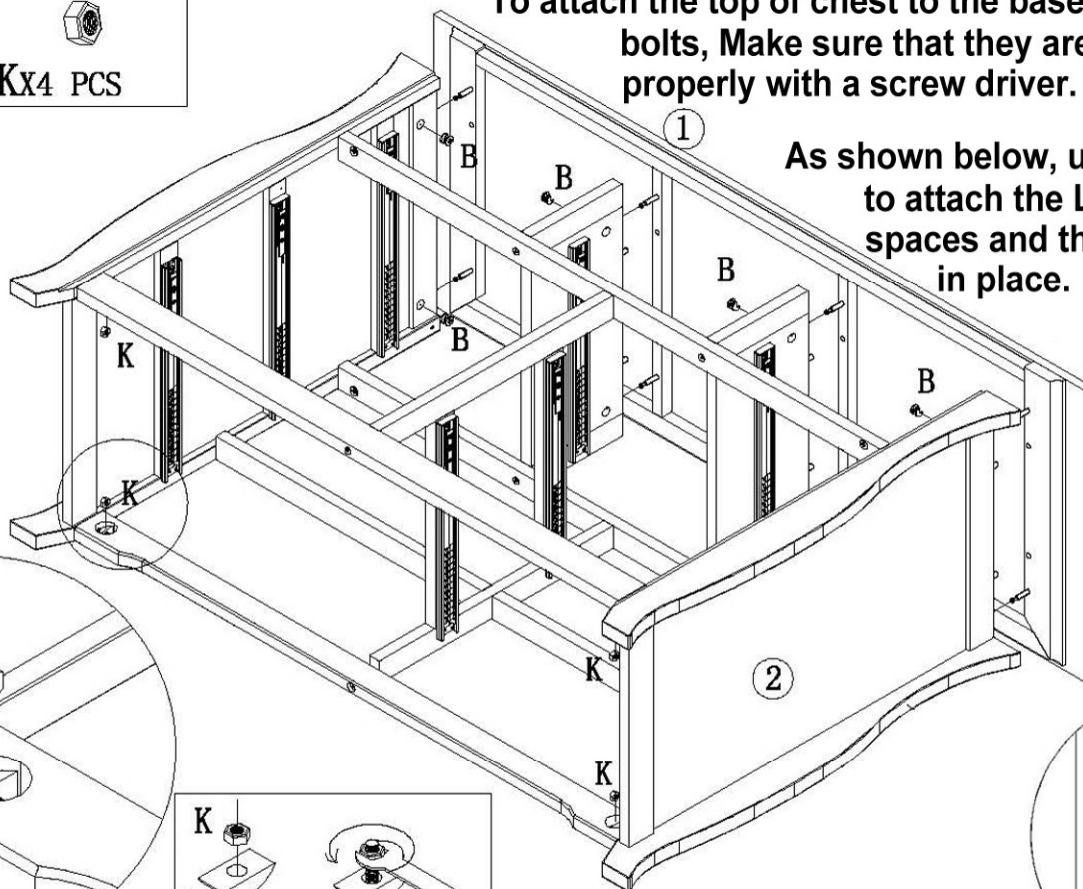
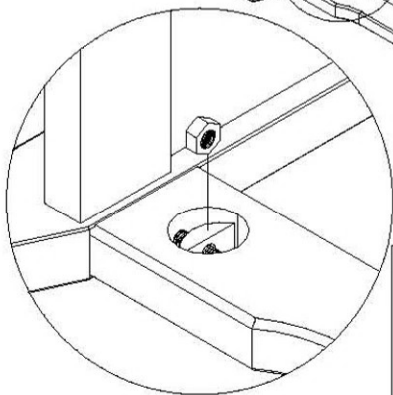


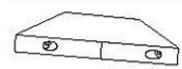
Kx4 PCS

6.

To attach the top of chest to the base, use 8 x Cam bolts, Make sure that they are all tightened properly with a screw driver.

As shown below, use 4 x K nuts to attach the L x Half moon spaces and the M x screws in place.





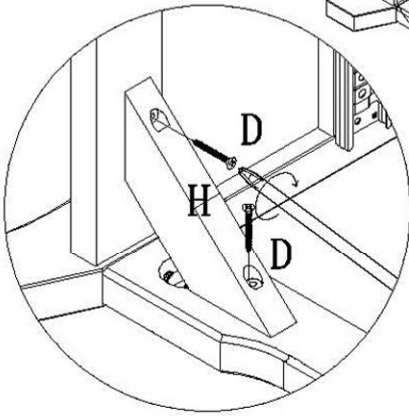
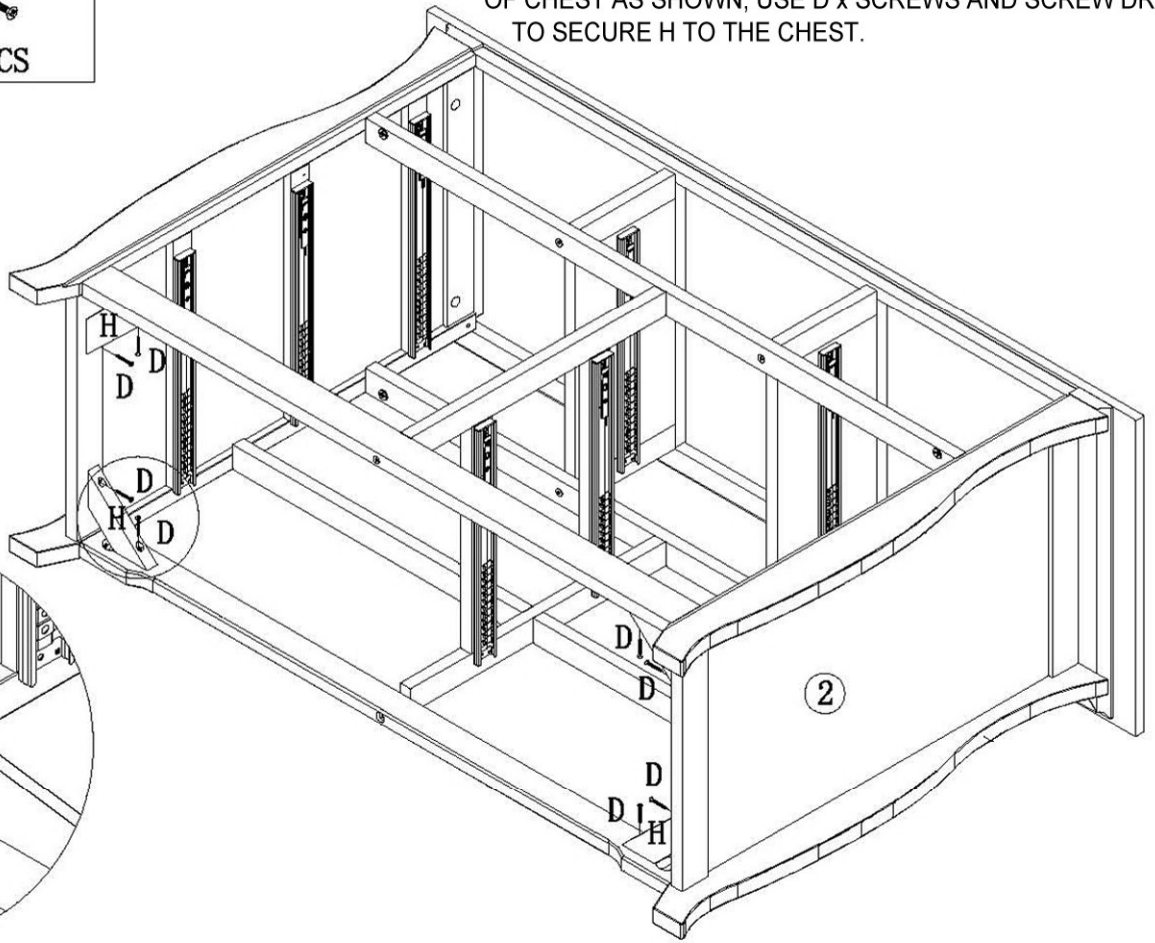
Hx4 PCS



Dx8 PCS

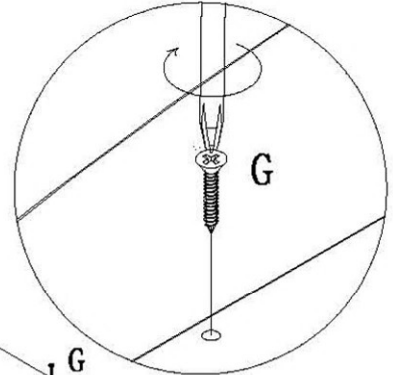
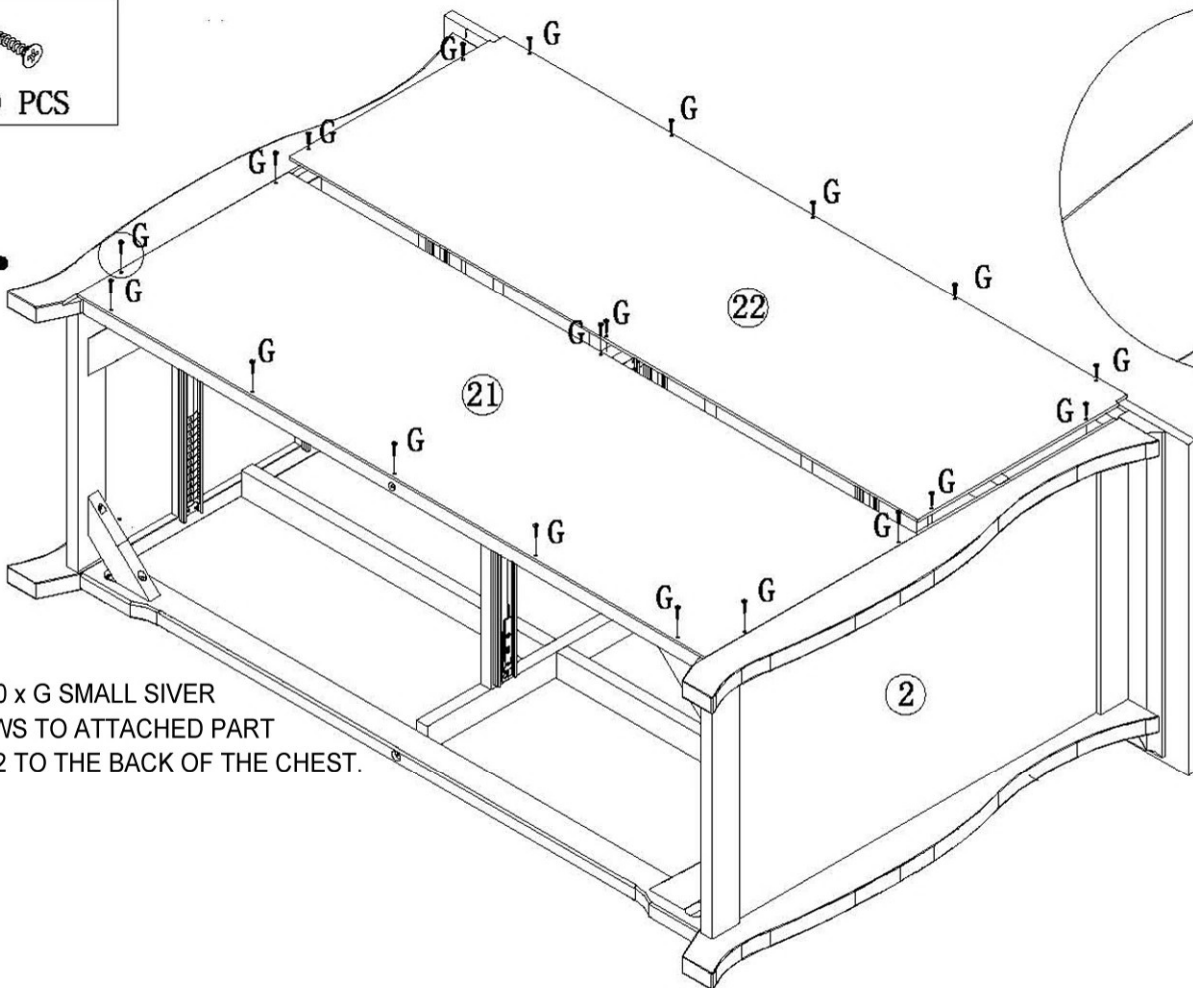
USING 4 x H PIECES AND 8 x D SCREWS, TAKE PIECE H AND FIT IT INTO THE INSIDE CORNERS OF CHEST AS SHOWN, USE D x SCREWS AND SCREW DRIVER TO SECURE H TO THE CHEST.

7.



Gx20 PCS

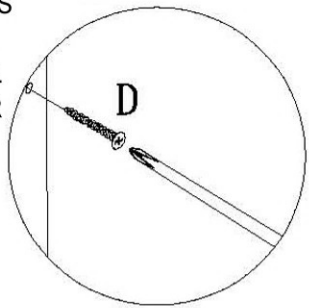
8.



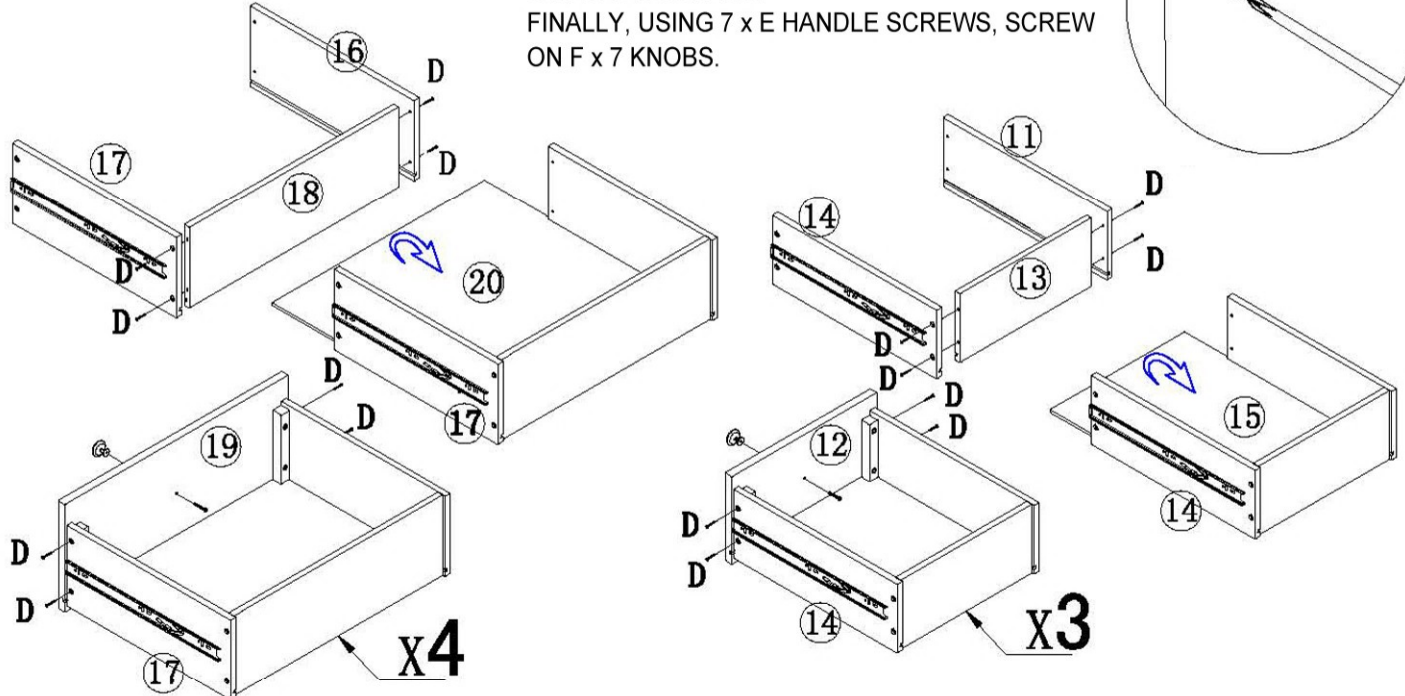
USE 20 x G SMALL SIVER SCREWS TO ATTACHED PART 21 & 22 TO THE BACK OF THE CHEST.

 DX56 PCS	 EX7 PCS	 FX7 PCS
--	--	--

TO PUT DRAWERS TOGETHER, USING D x SCREWS ATTACH 2 SIDES OF DRAWERS(16 & 17) TO BACK PIECE (18). NEXT SLIDE PIECE 20 INTO THE SIDES. ATTACH PIECE 19 TO THE SIDES OF THE DRAWER USING D x SCREWS. FINALLY, USING 7 x E HANDLE SCREWS, SCREW ON F x 7 KNOBS.



# 9.



# 10.

