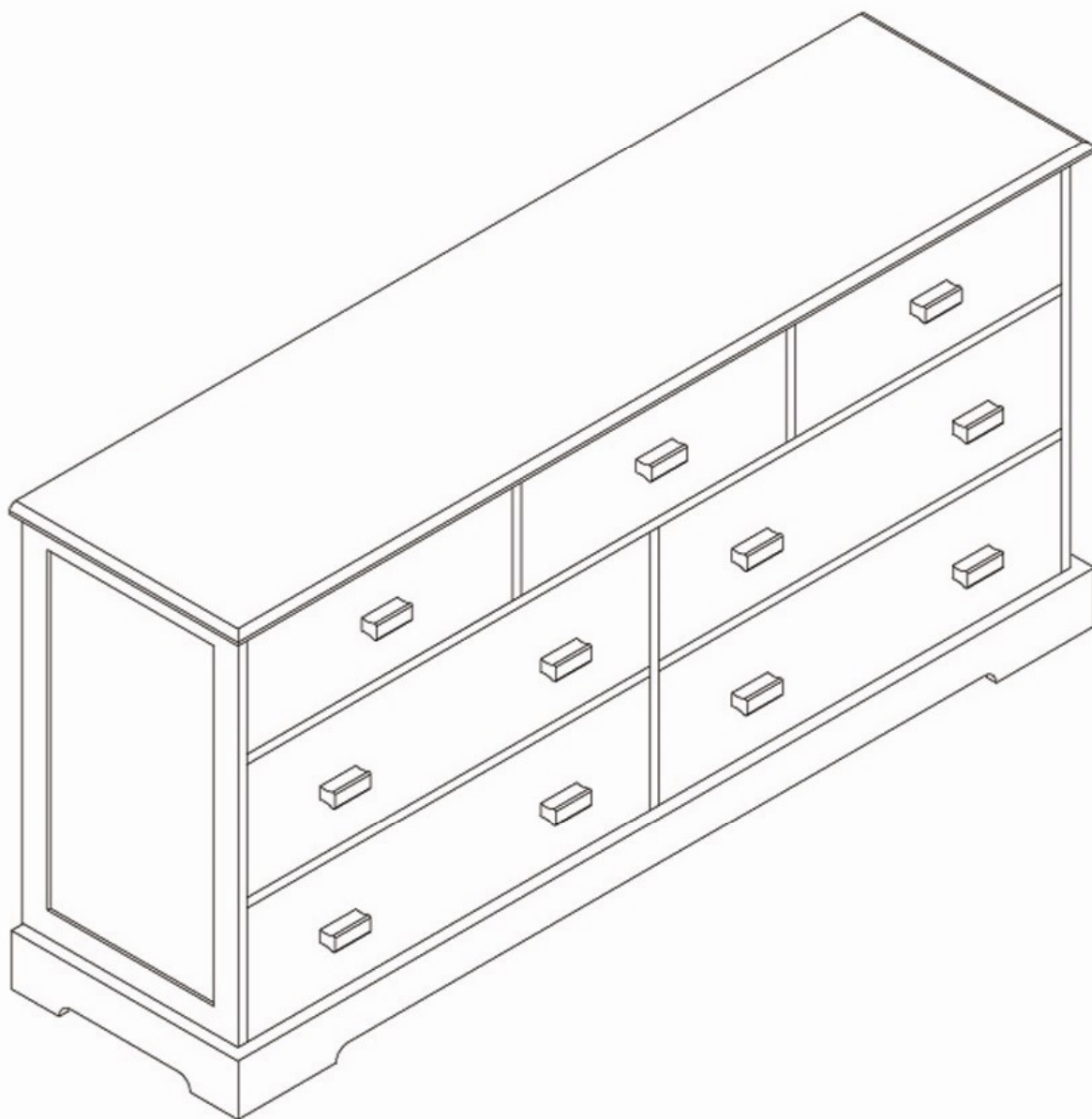




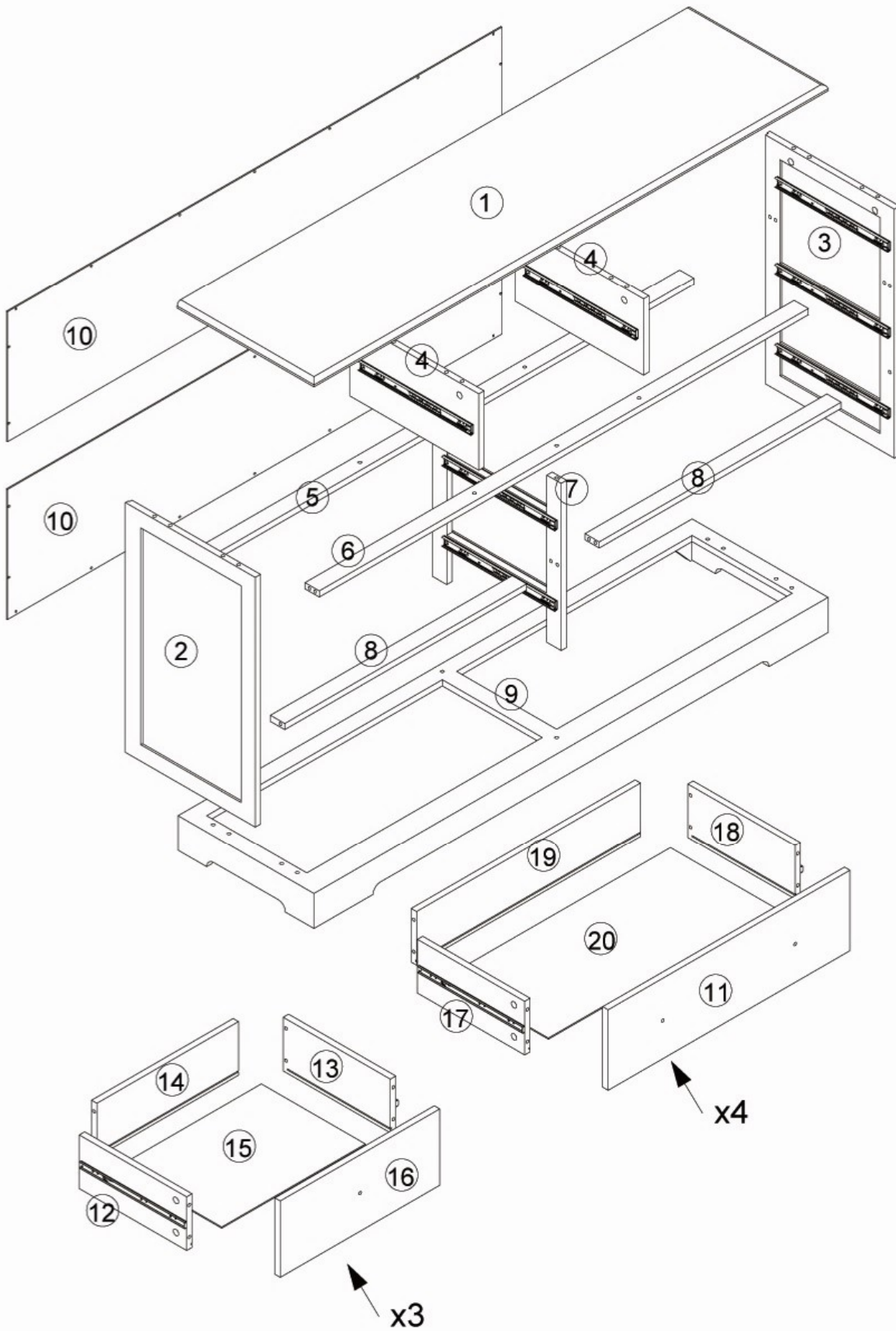
ASSEMBLY INSTRUCTIONS



IMPORTER: Cloud 9 Baby Bedrooms Pty Ltd

ADDRESS: 75/193 South Pine Road, Brendale, Queensland, 4500

Parts List

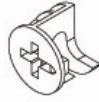


①	x1
②	x1
③	x1
④	x2
⑤	x1
⑥	x1
⑦	x1
⑧	x2
⑨	x1
⑩	x2
⑪	x4
⑫	x3
⑬	x3
⑭	x3
⑮	x3
⑯	x3
⑰	x4
⑱	x4
⑲	x4
⑳	x4

Hardware List



A x 68



B x 68



C x 22



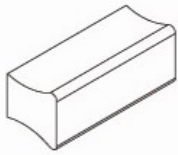
D x 12



E x 24



F x 11



G x 11

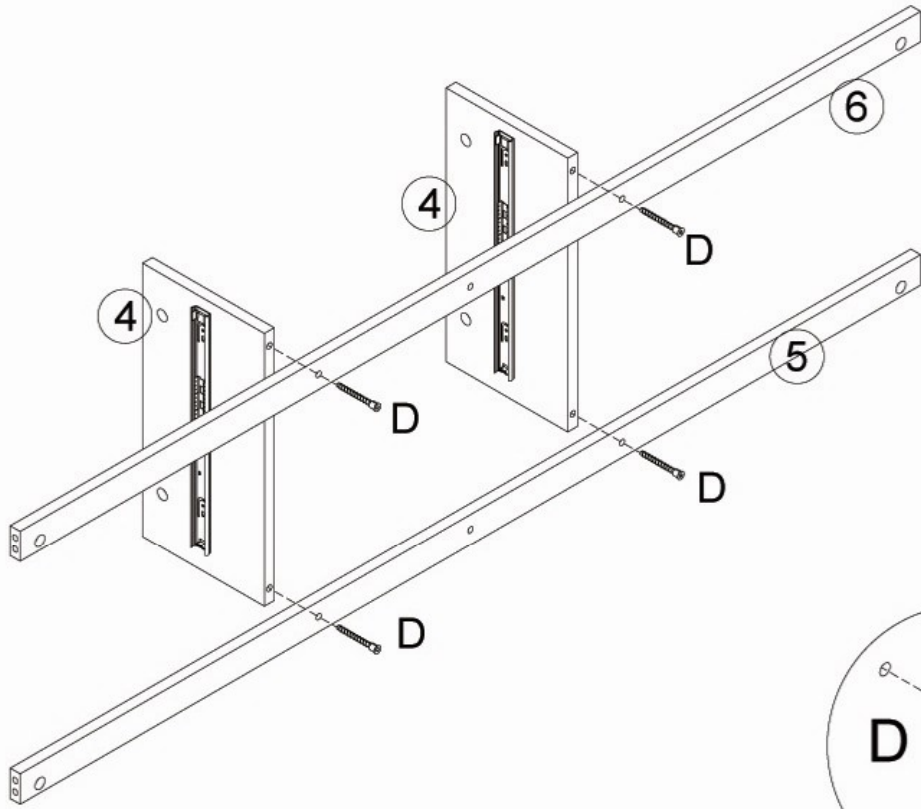


H x 1



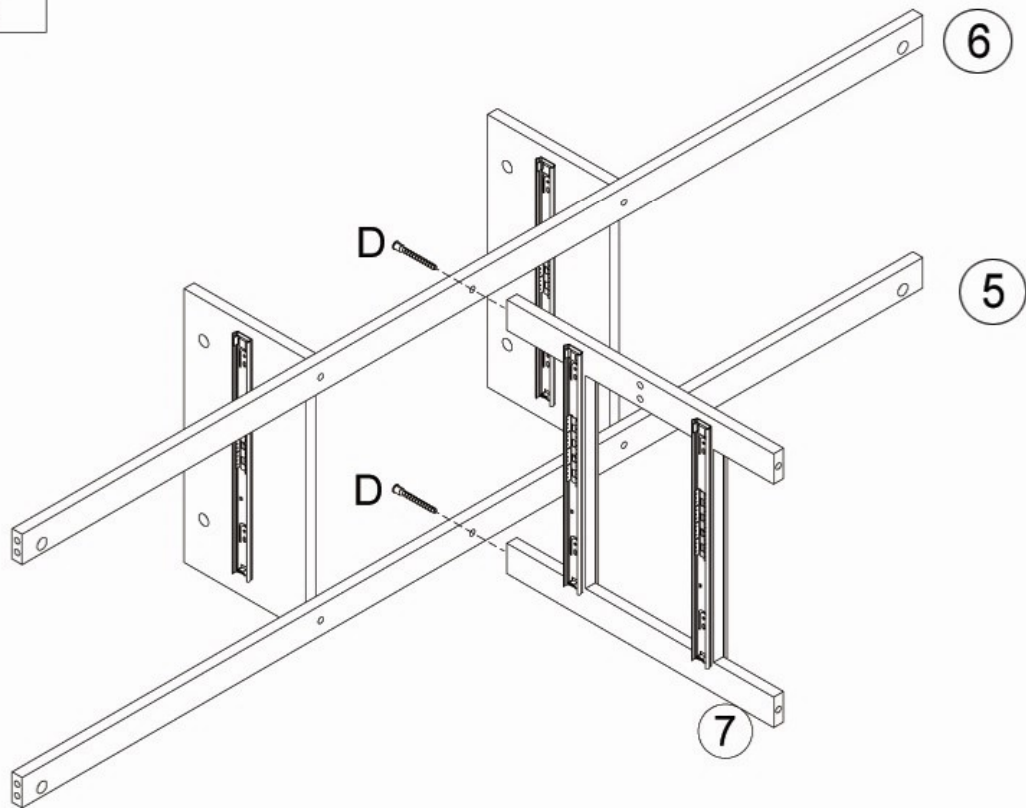
J x 11

1



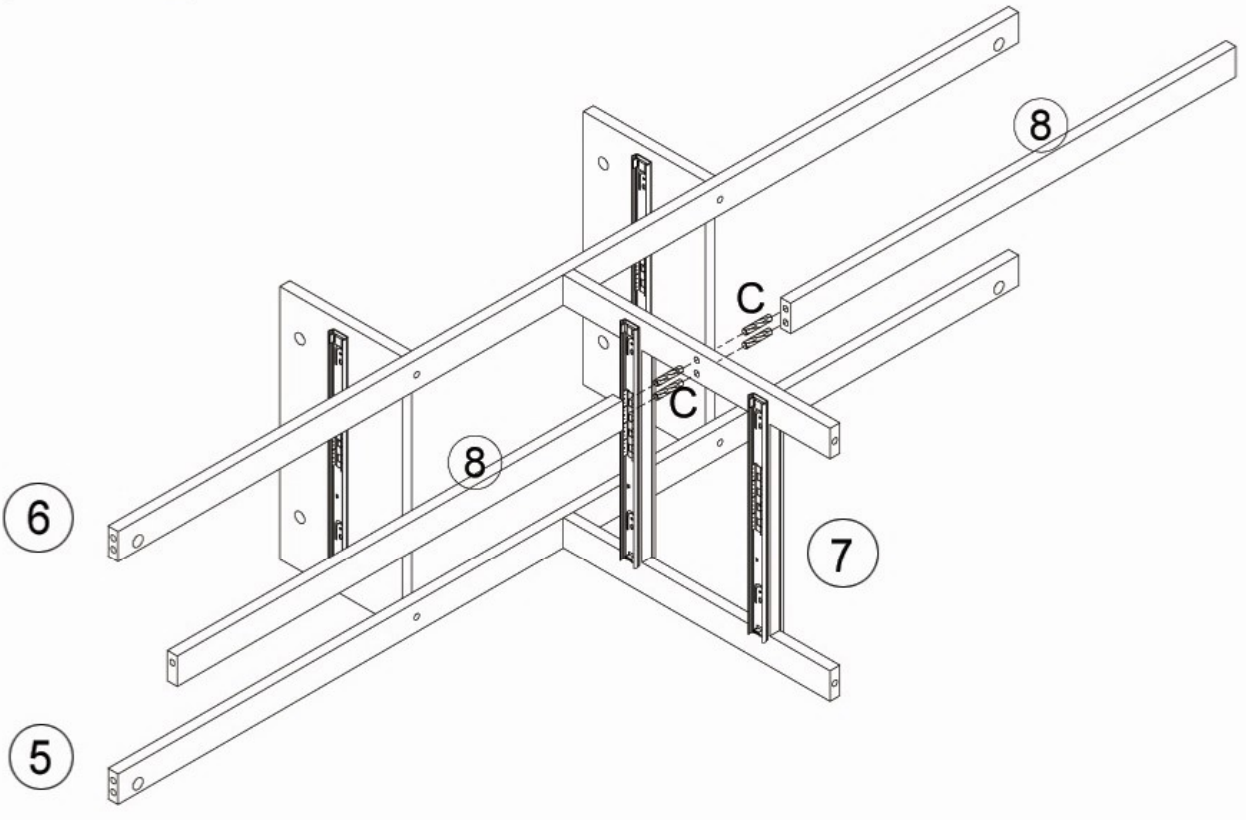
Connect 2 x Part 4 to Part 5 and Part 6 Using 4 x D.

2



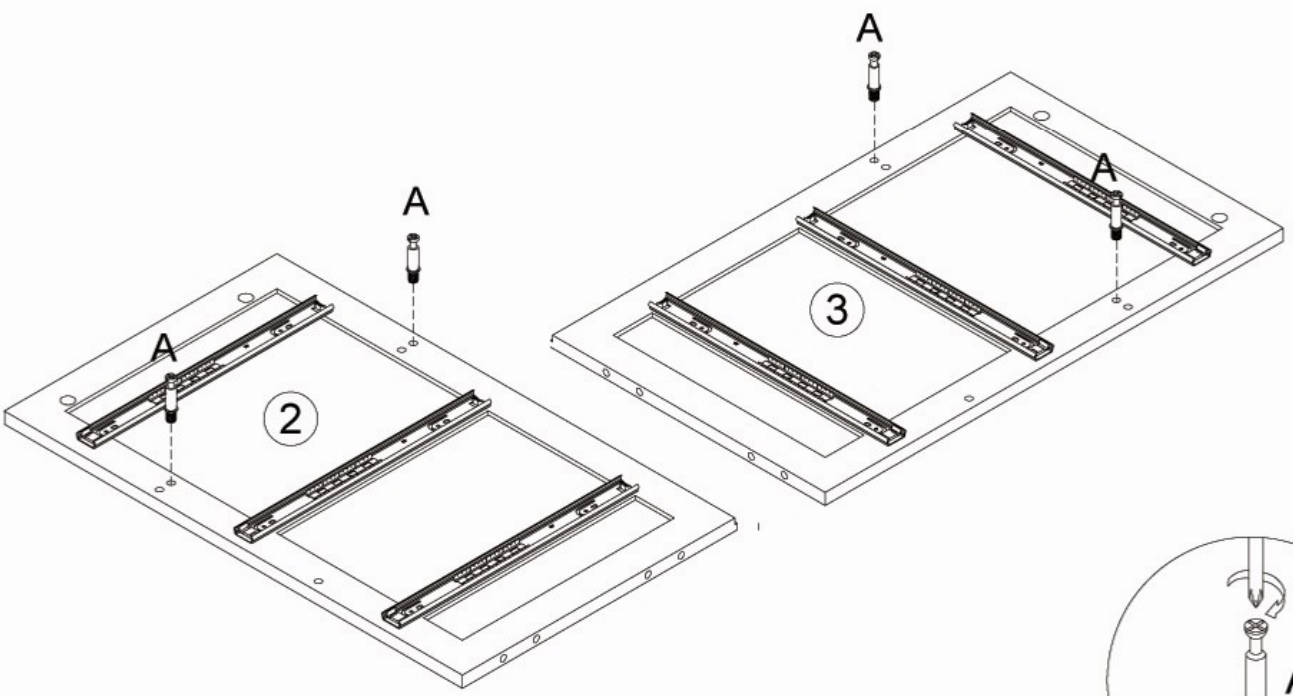
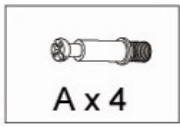
Connect Part 7 to Part 5 and Part 6 using 2 x D.

3

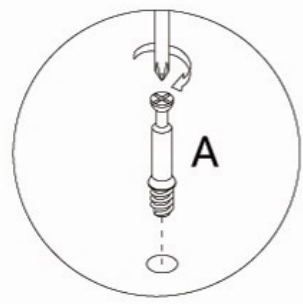


Connect 2 x Part 8 to Part 7 using 4 x C.

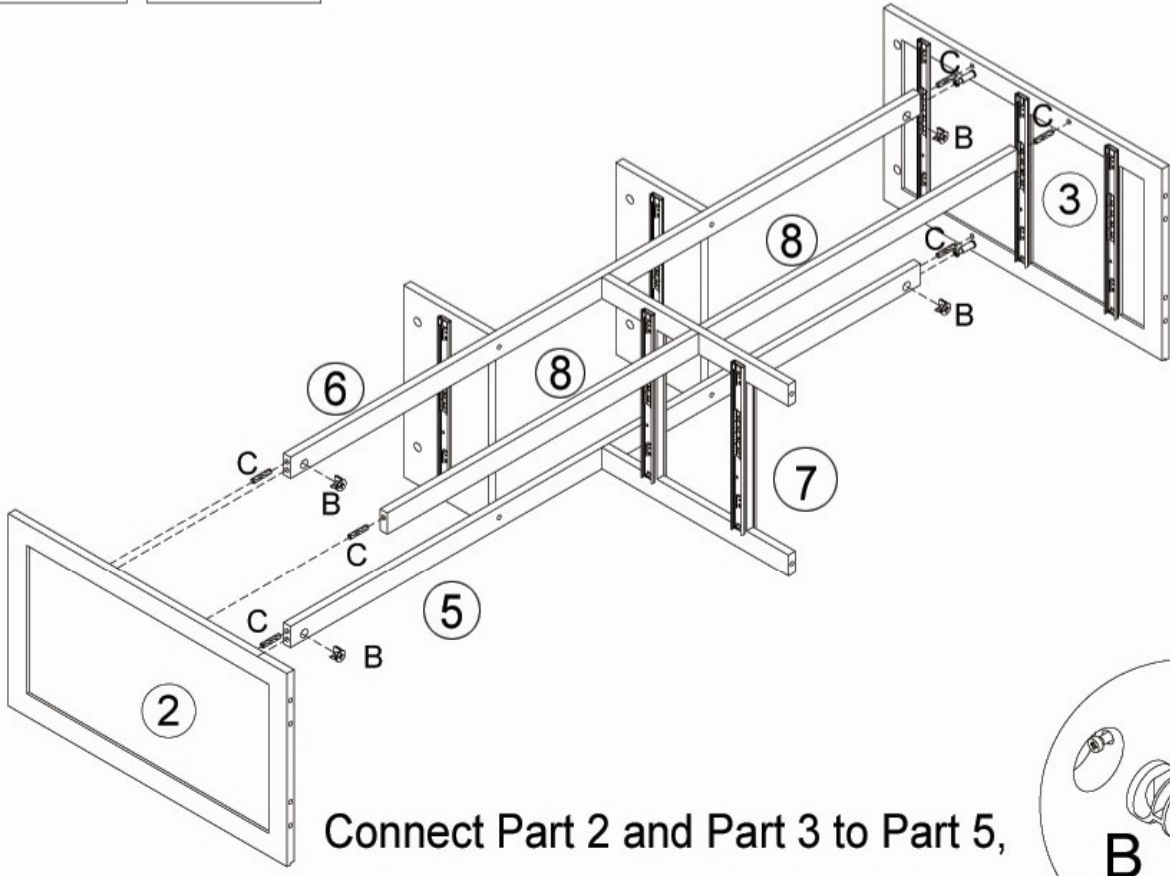
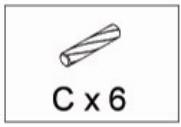
4



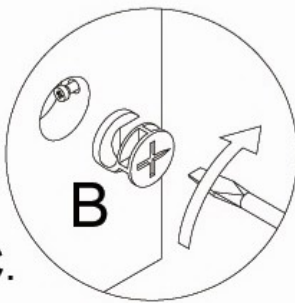
Screw in 4 x A locking pins to Part 2 and Part 3.



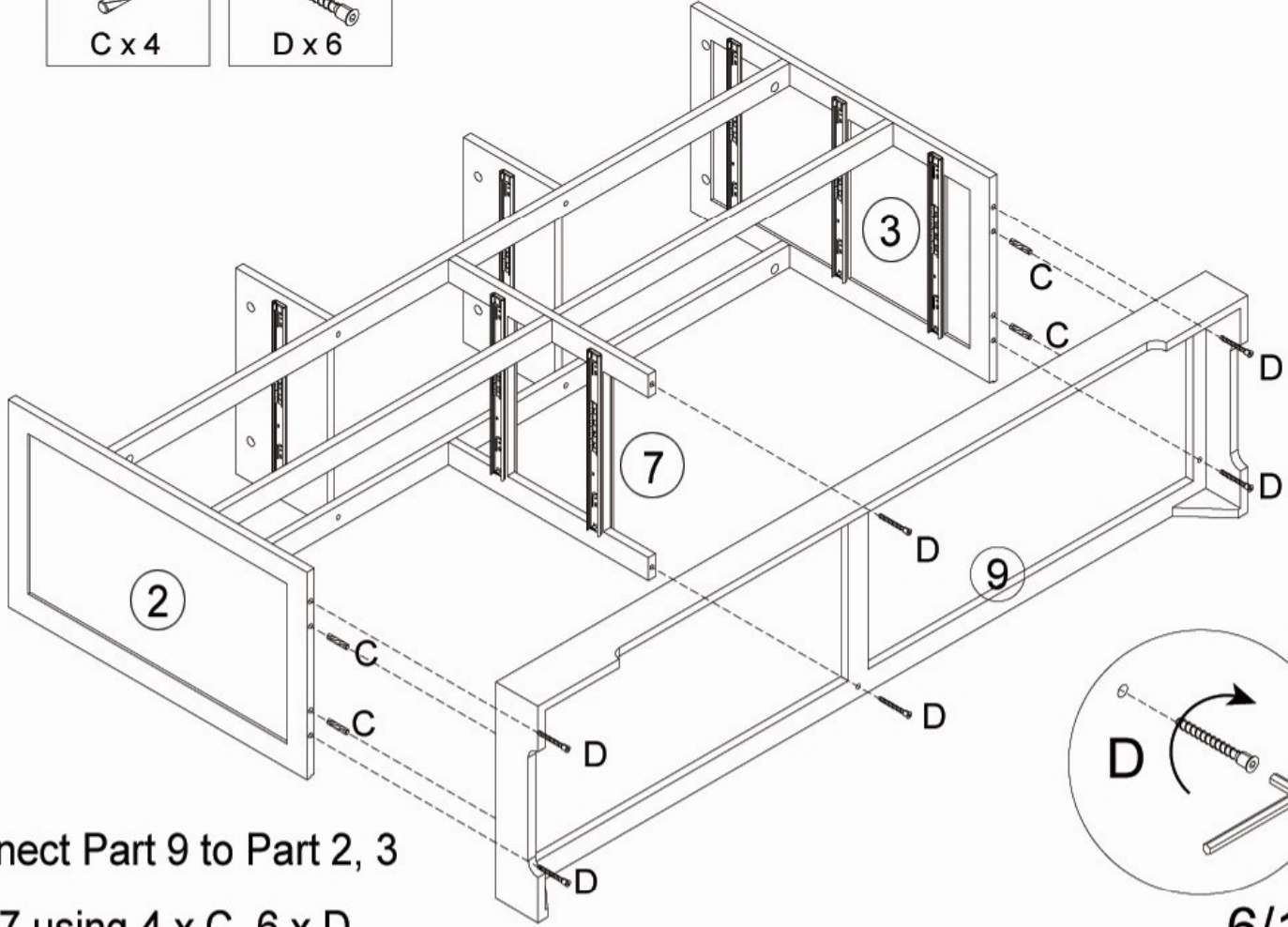
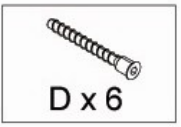
5



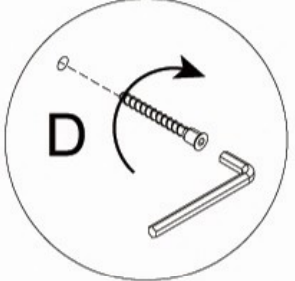
Connect Part 2 and Part 3 to Part 5,
Part 6 and Part 8 using 4 x B and 6 x C.



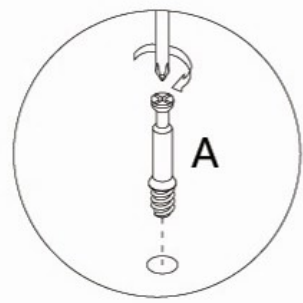
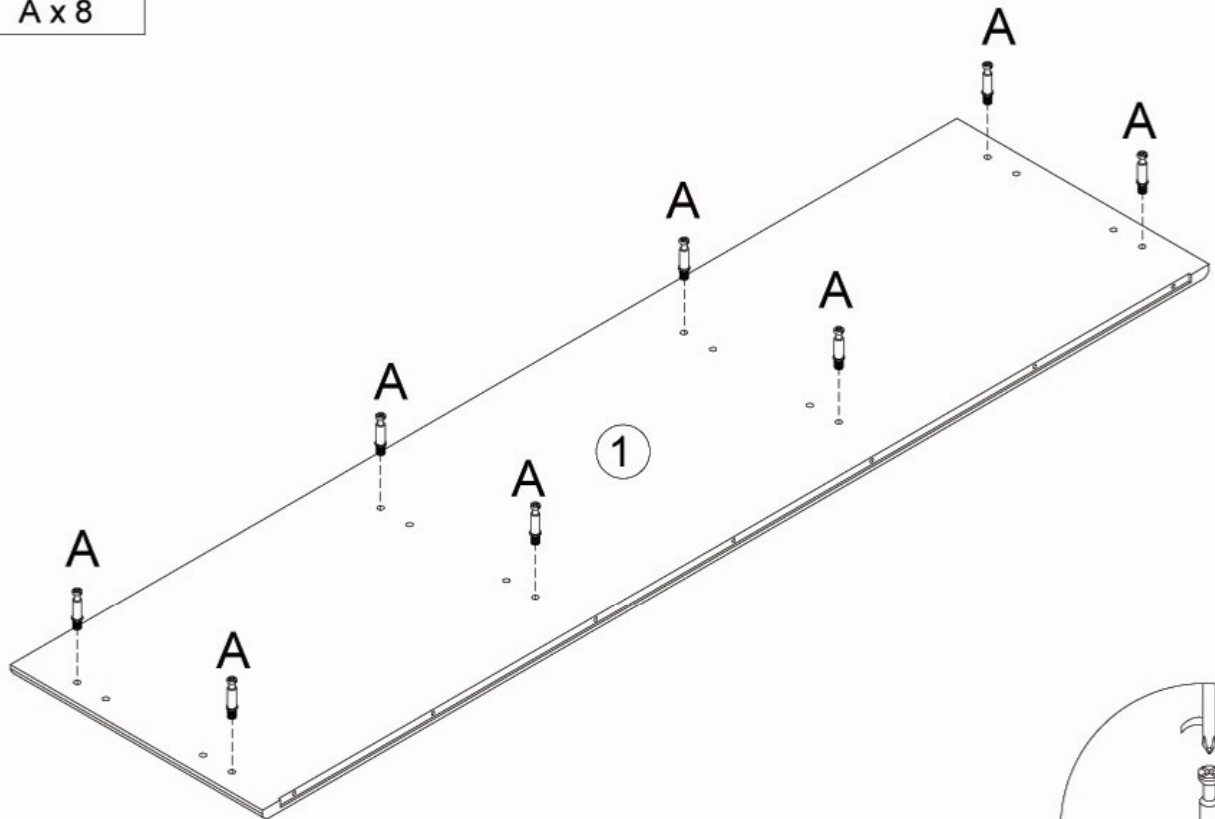
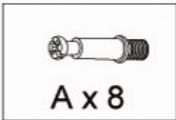
6



Connect Part 9 to Part 2, 3
and 7 using 4 x C, 6 x D.

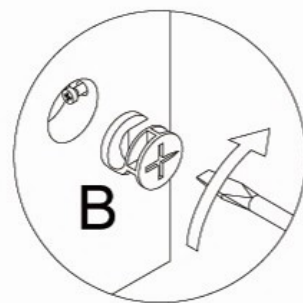
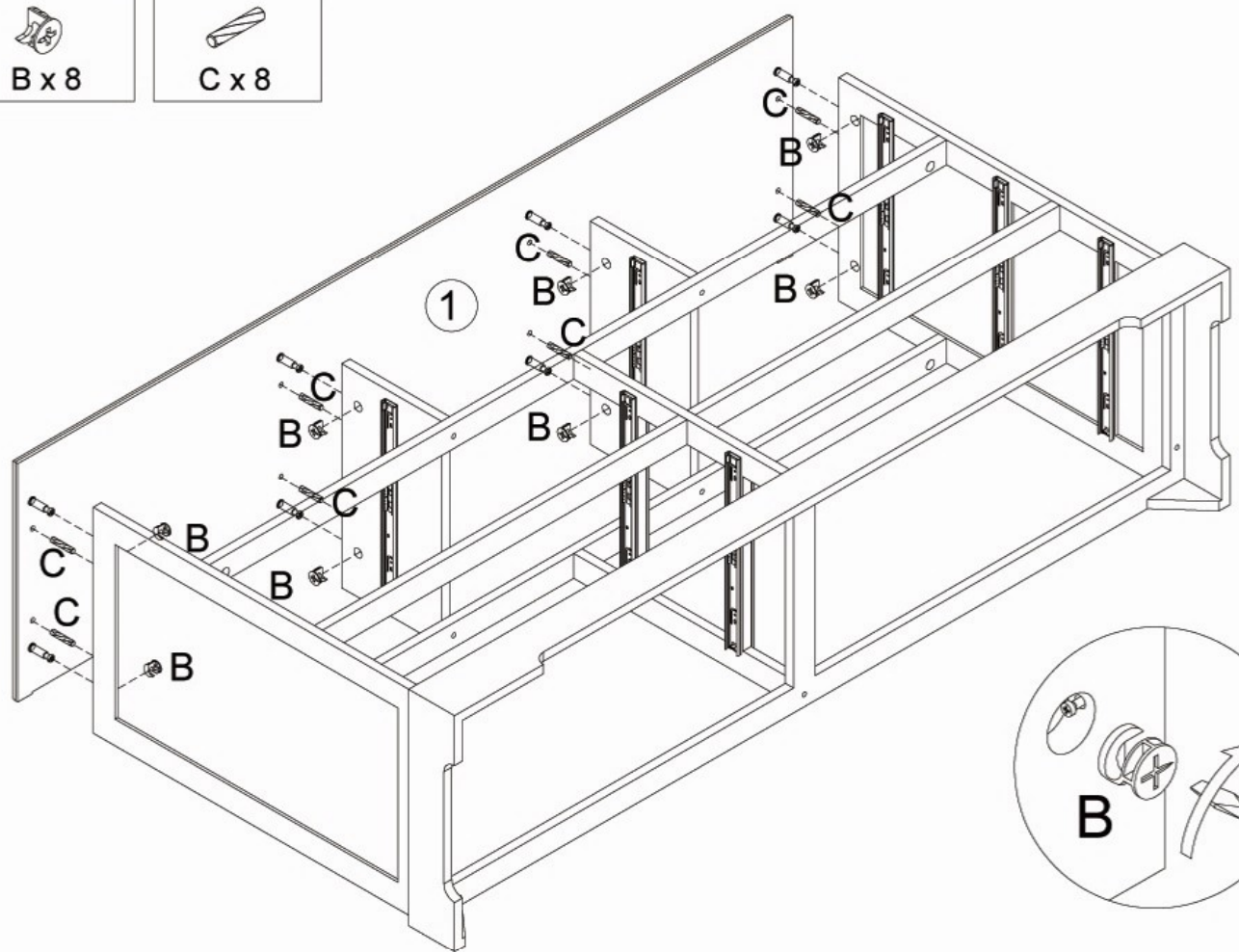


7



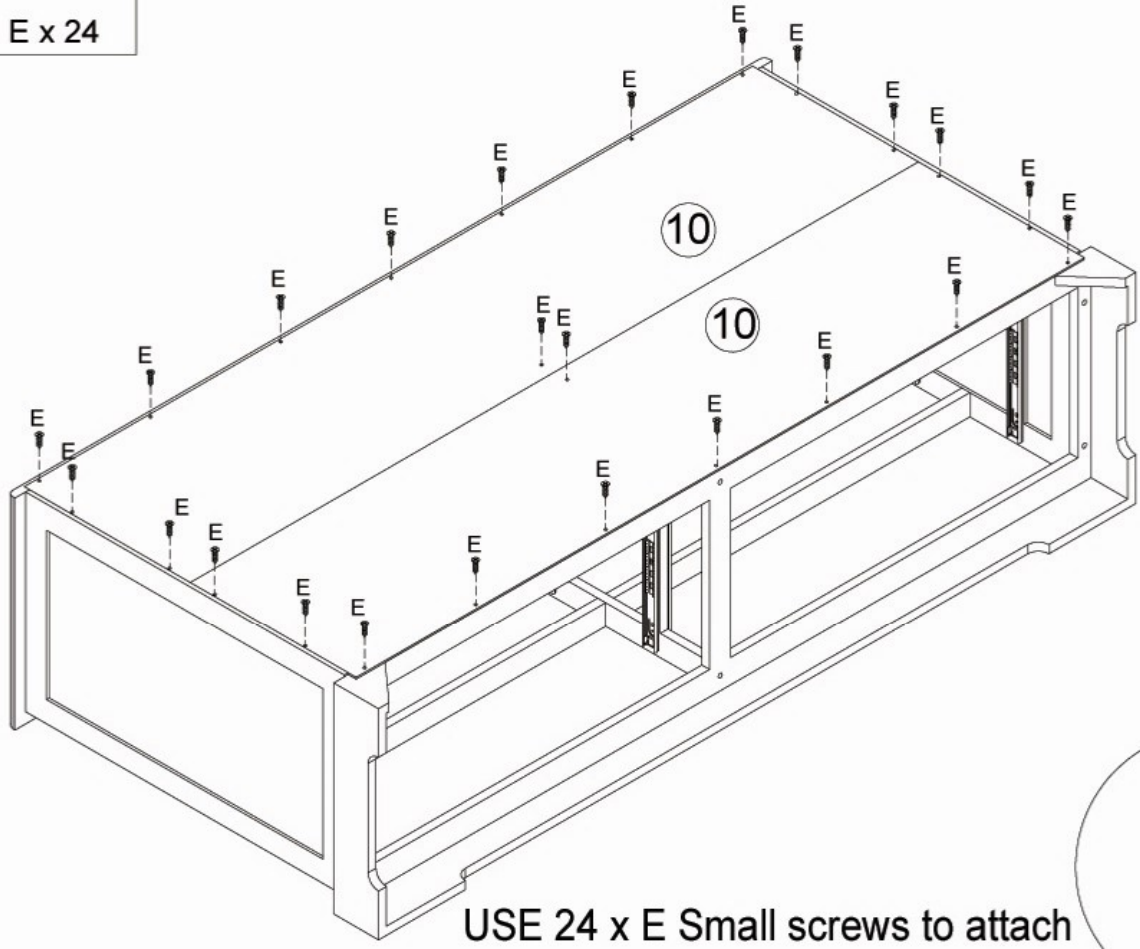
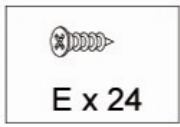
Screw in 8 x A Locking pins to Part 1.

8

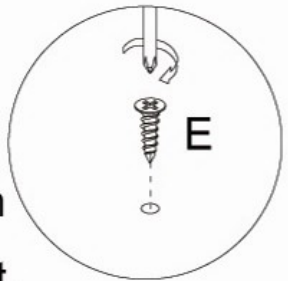


To attach the top of the chest to the base using 8 x B and 8 x C.

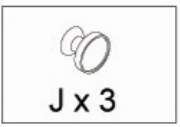
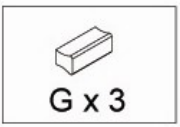
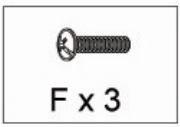
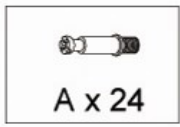
9



USE 24 x E Small screws to attach
2 x Part 10 to the back of the chest.

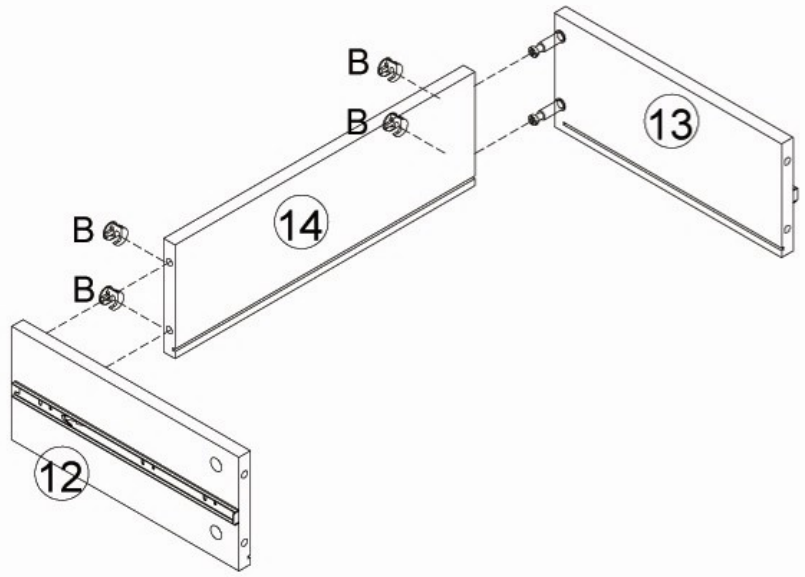
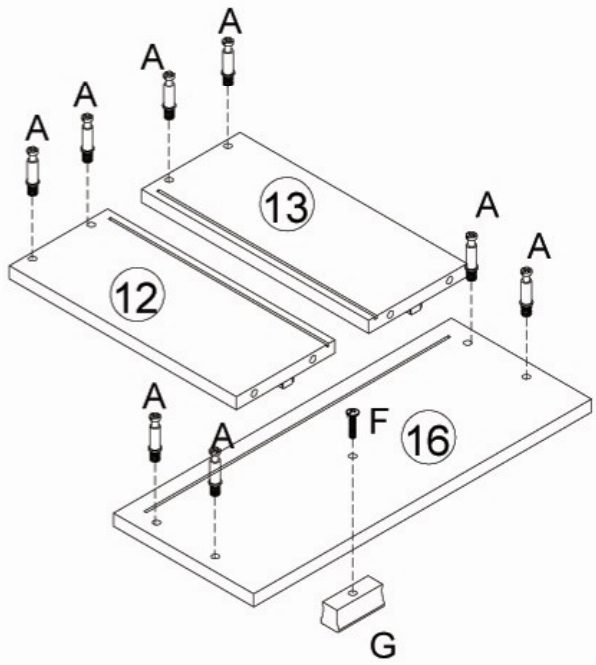


10



x3

Assemble 3 small drawers first.



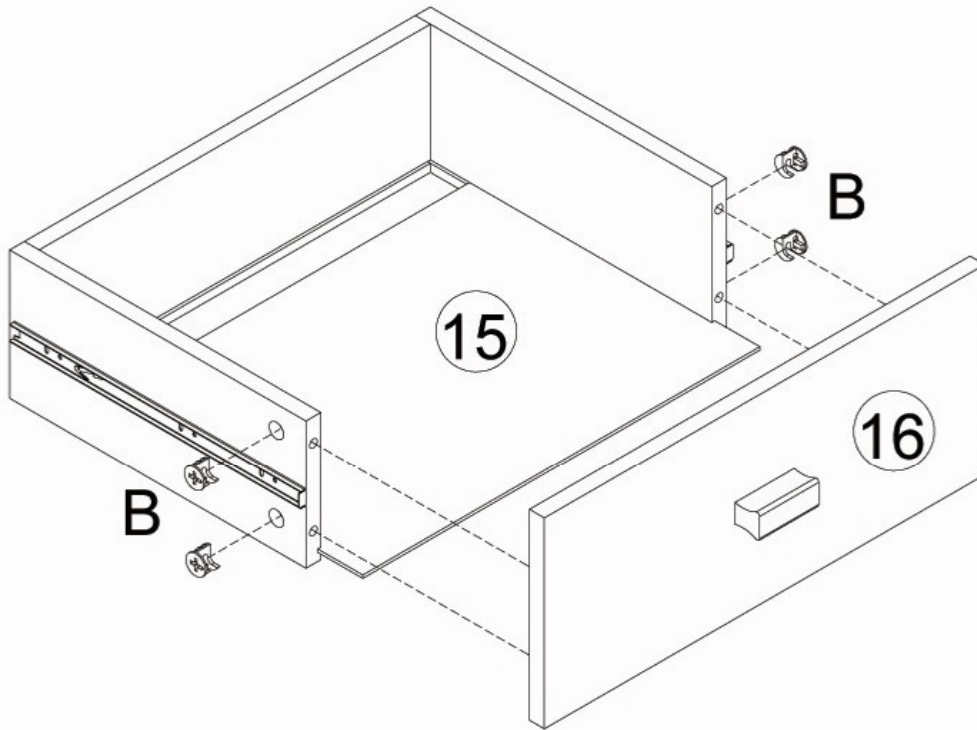
Screw in 8 x A locking pins to Part 12, Part 13
and Part 16. Using 1 x F handle screw,
screw on 1 x G handle.

Connect Part 12 and Part 13 to Part 14 using 4 x B.

11

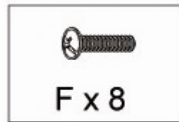
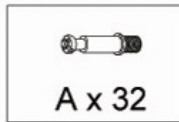


x3

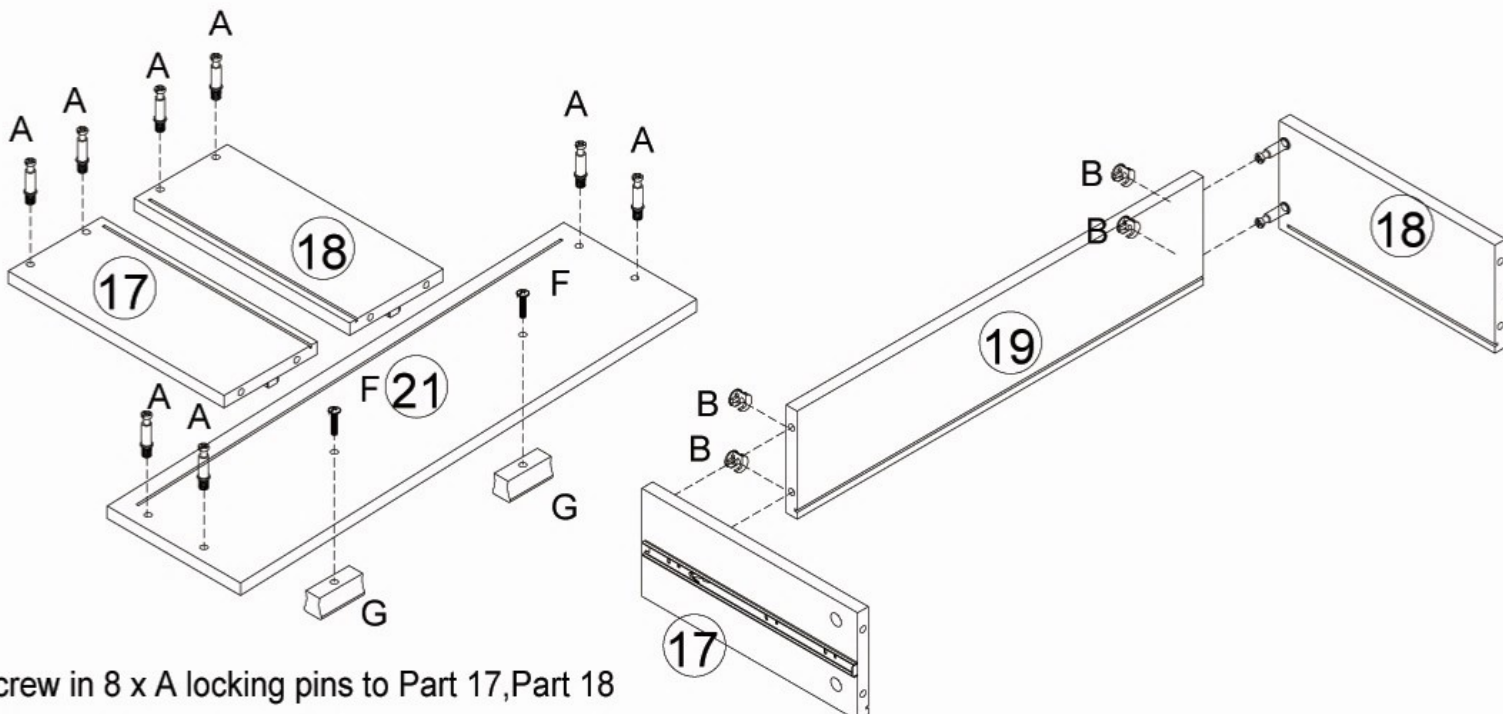


Slide Part 15 into the sides, attach part 16 to the sides of the drawer using 4 x B.

12



x4



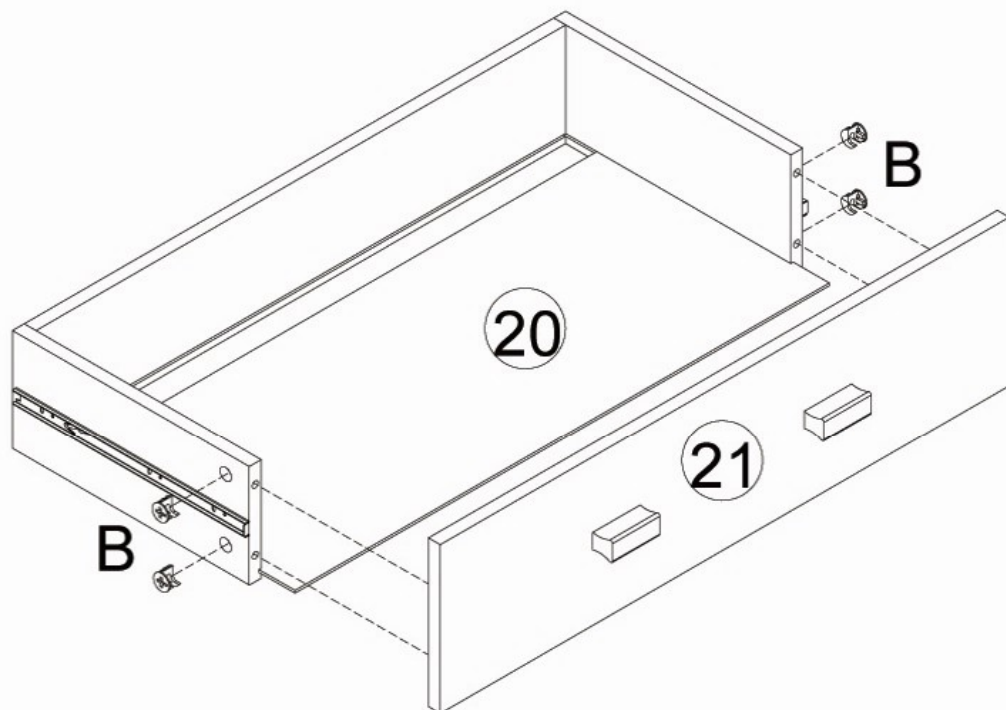
Screw in 8 x A locking pins to Part 17, Part 18 and Part 21. Using 2 x F handle screws, screw on 2 x G handles.

Connect Part 17 and Part 18 to Part 19 using 4 x B.

13



x4



Slide Part 20 into the sides, attach part 21 to the sides of the drawer using 4 x B.

14

